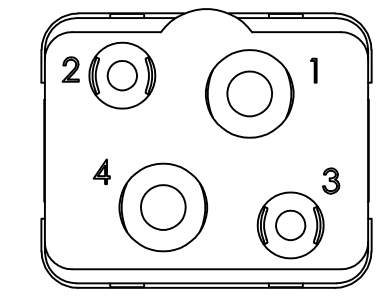


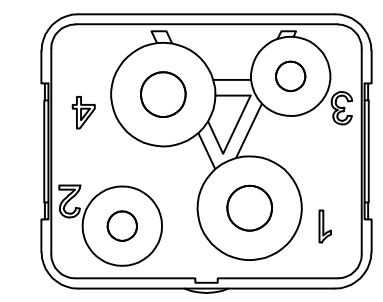
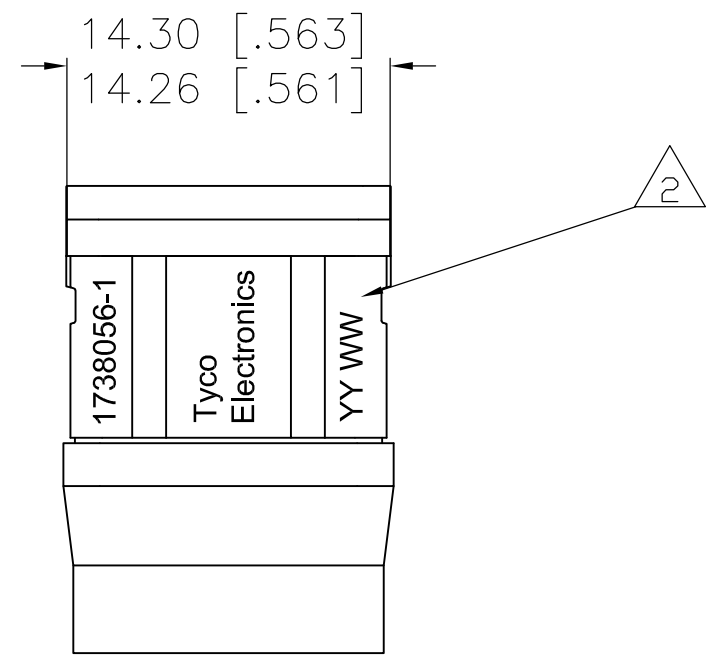
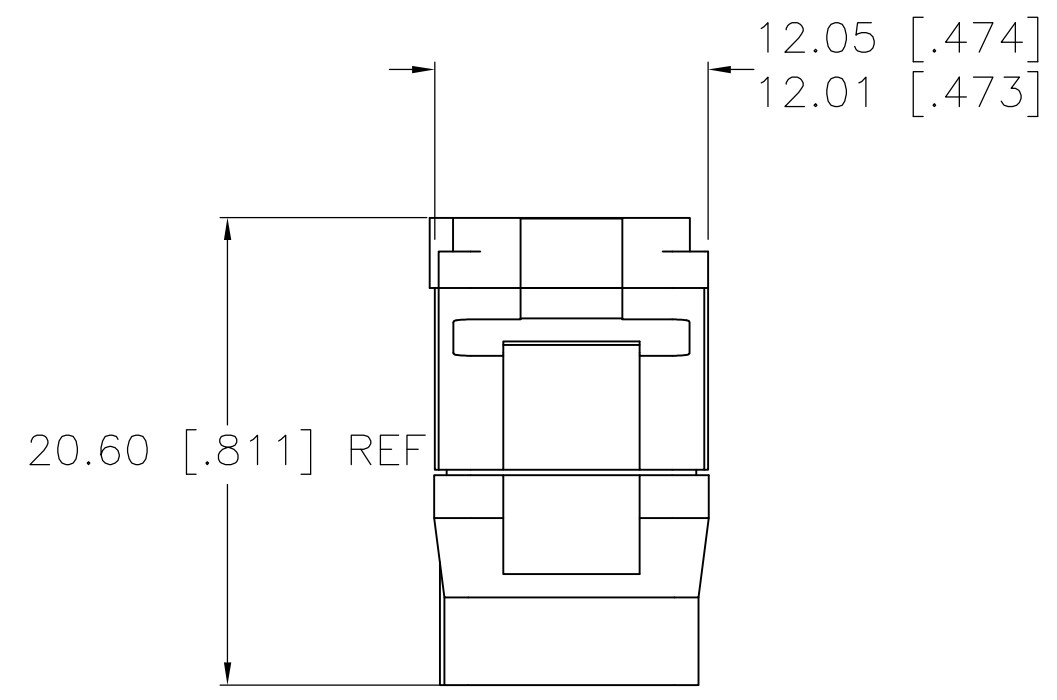
THIS DRAWING IS UNPUBLISHED. RELEASED FOR PUBLICATION
 © COPYRIGHT BY TYCO ELECTRONICS CORPORATION. ALL INTERNATIONAL RIGHTS RESERVED.

LOC	DIST	REVISIONS					
DF	00	P	LTR	DESCRIPTION	DATE	DWN	APVD
		0		CONVERTED RADIALL DWG TO TYCO ACAD DWG	11/03	-	-
		1		REVISED	22APR10	RF	JM

- 1 FRONT AND REAR INSULATORS: THERMOSET EPOXY PER ASTM D 5948
CONTACT RETENTION CLIPS: COPPER ALLOY PER ASTM B194
- 2 DATE CODE: YEAR & WEEK (YYWW)
- 3. DESCRIPTIVE PART NUMBER: GPRAH04PA
THIS INSERT CONTAINS 2 CAVITIES FOR SIZE 15 OR 16 SOCKET CONTACTS
THIS INSERT CONTAINS 2 CAVITIES FOR SIZE 12 SOCKET CONTACTS.
- 4. THIS PRODUCT IS SOLD BY TYCO ELECTRONICS UNDER A LICENSE FROM RADIALL SA.



MATING FACE



THIS PRINT IS
PRELIMINARY
 UNQUALIFIED PRODUCT
 CONTACT PRODUCT ENGINEERING
 BEFORE USING THIS PRINT

1738056-1
 PART NUMBER

THIS DRAWING IS A CONTROLLED DOCUMENT.		DWN	R FLAIG	NOV03	Tyco Electronics Corporation Harrisburg, PA 17105-3608
DIMENSIONS: mm [INCHES]		CHK	J MOSIER	NOV03	
TOLERANCES UNLESS OTHERWISE SPECIFIED:		APVD	J MOSIER	NOV03	
0 PLC ± - 1 PLC ± - 2 PLC ± 0.05 [.002] 3 PLC ± - 4 PLC ± - ANGLES ± -		PRODUCT SPEC	NAME		
MATERIAL		APPLICATION SPEC		GPR-A PIN INSERT, CLASS H, CONTACT ARRANGEMENT 04	
FINISH		WEIGHT	-		SIZE
1		CUSTOMER DRAWING		CAGE CODE	00779
		SCALE		DRAWING NO	C=1738056
		1:1		RESTRICTED TO	-
		SHEET		1 OF 1	
		REV		1	

1738056