

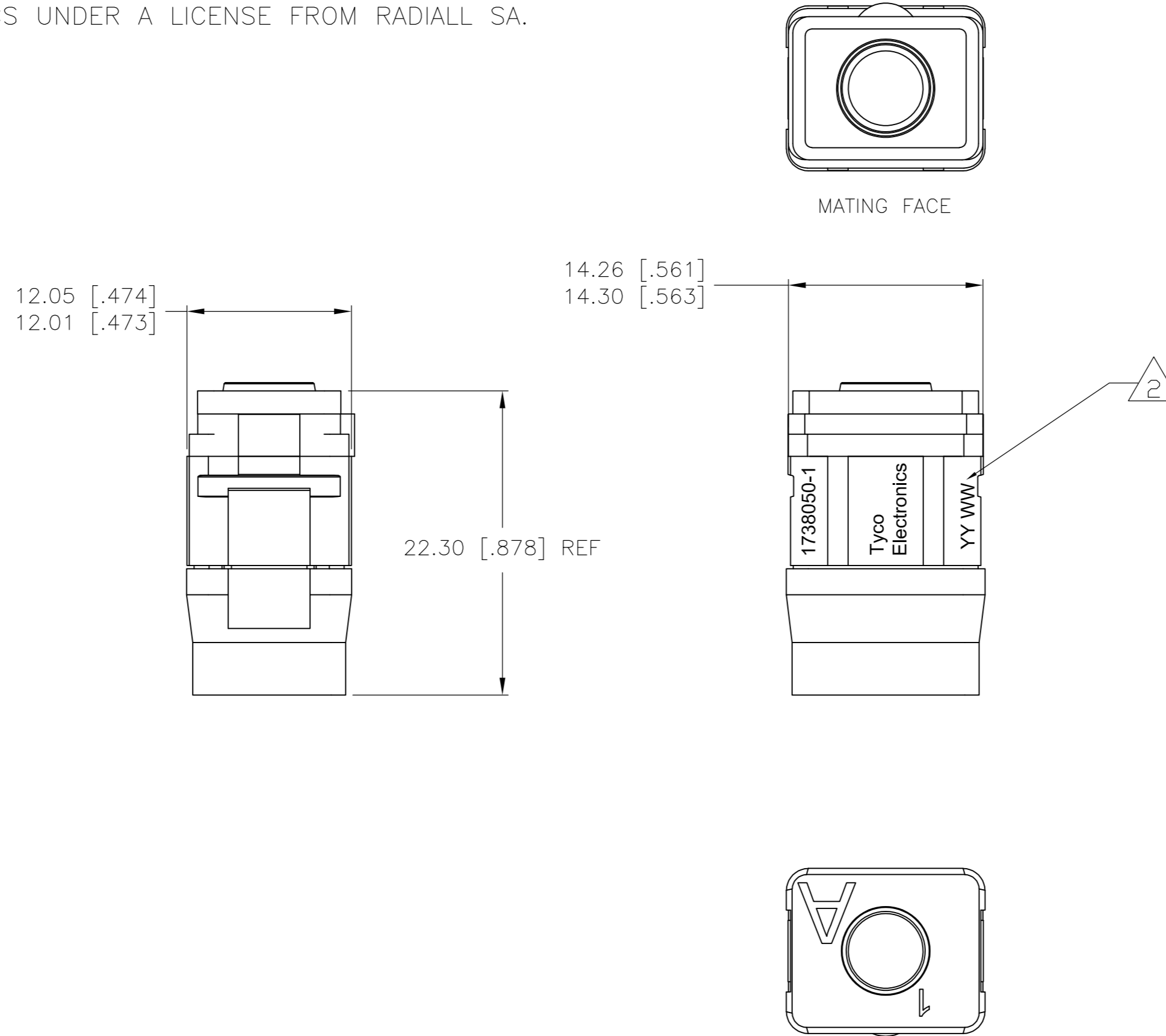
THIS DRAWING IS UNPUBLISHED. RELEASED FOR PUBLICATION  
 © COPYRIGHT BY TYCO ELECTRONICS CORPORATION. ALL INTERNATIONAL RIGHTS RESERVED.

LOC	DIST	REVISIONS			
P	LTR	DESCRIPTION	DATE	DWN	APVD
0		CONVERTED RADIALL DWG TO TYCO ACAD DWG	11/03	—	—
1		REVISED	22APR10	RF	JM

1 FRONT AND REAR INSULATORS: THERMOSET EPOXY PER ASTM D 5948  
 CONTACT RETENTION CLIPS: COPPER ALLOY PER ASTM B194  
 REAR GROMMET & INTERFACIAL SEAL: FLUOROSILICONE ELASTOMER PER MIL-R-25988B, EXCEPT 4.6.6.1

2 DATE CODE: YEAR & WEEK (YYWW)

- 3. DESCRIPTIVE PART NUMBER: GPRAE1C1PA  
THIS INSERT CONTAINS 1 CAVITY FOR SIZE 5 PIN CONTACTS.
- 4. THIS PRODUCT IS SOLD BY TYCO ELECTRONICS UNDER A LICENSE FROM RADIALL SA.



THIS PRINT IS  
**PRELIMINARY**  
 UNQUALIFIED PRODUCT  
 CONTACT PRODUCT ENGINEERING  
 BEFORE USING THIS PRINT

1738050-1  
 PART NUMBER

THIS DRAWING IS A CONTROLLED DOCUMENT.		DWN	NOV03	Tyco Electronics Corporation Harrisburg, PA 17105-3608
DIMENSIONS: mm [INCHES]		CHK	NOV03	
TOLERANCES UNLESS OTHERWISE SPECIFIED:		APVD	NOV03	
0 PLC ± - 1 PLC ± - 2 PLC ± 0.05 [.002] 3 PLC ± - 4 PLC ± - ANGLES ± -		PRODUCT SPEC	NAME	
MATERIAL		APPLICATION SPEC		SIZE
FINISH		WEIGHT		CAGE CODE
1		CUSTOMER DRAWING		DRAWING NO
		SCALE 1:1		RESTRICTED TO
		SHEET 1 of 1		REV 1