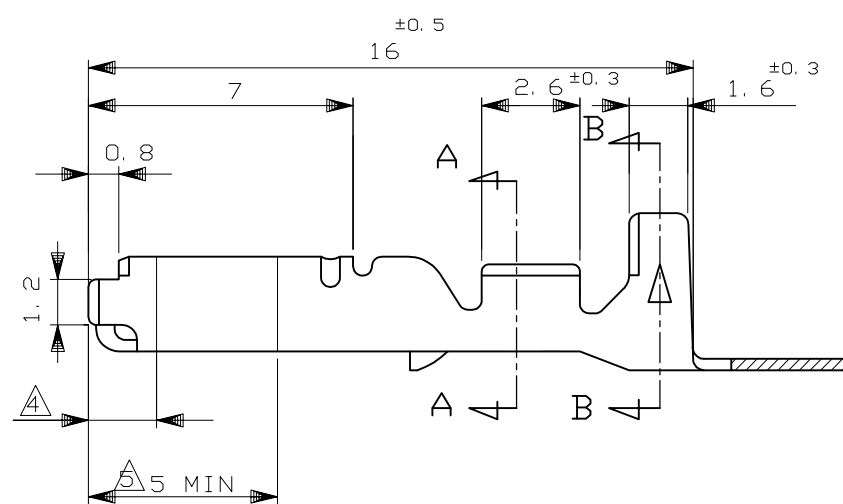
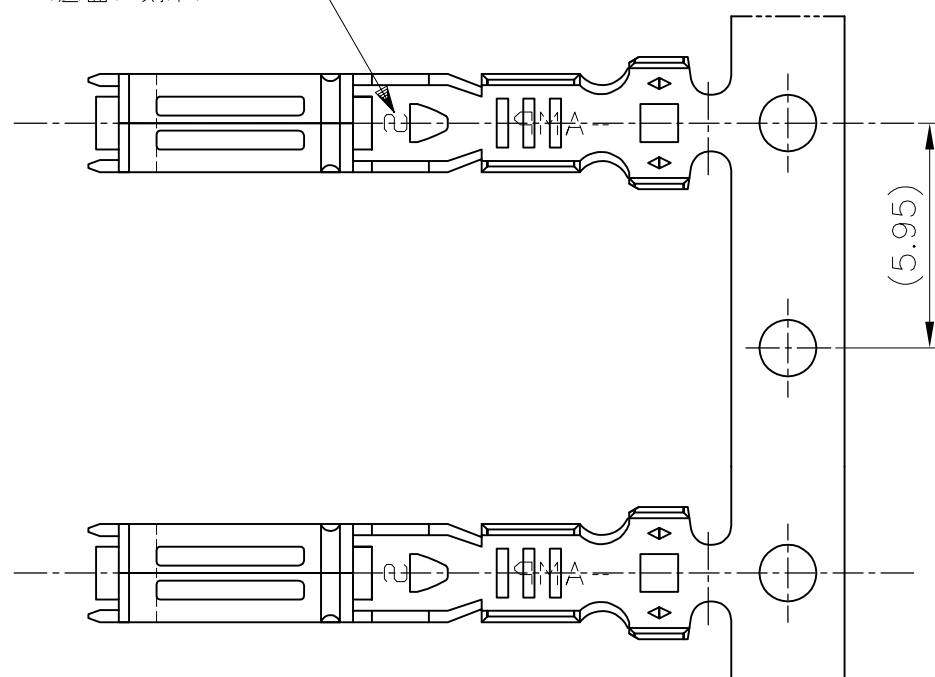
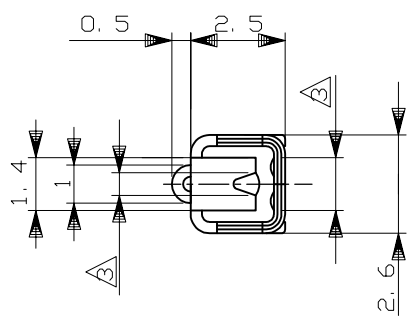
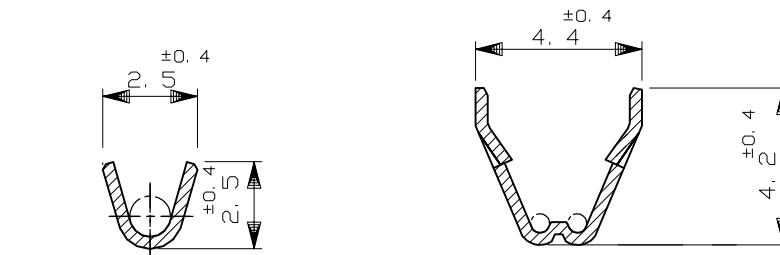


WIRE RANGE ID MARK
 (<"S" SIZE MARK>
 <STAMPED ON BOTTOM>
 端子識別マーク"S"
 (底面に刻印)

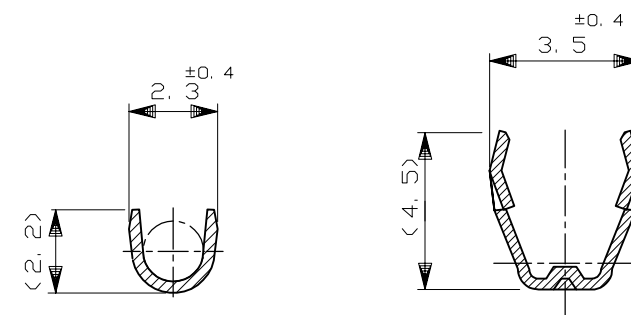


REVISIONS					
P	LTR	DESCRIPTION	DATE	DWN	APVD
G1	REVISED	ECR-19-018615	17JUL2020	DM	HK



断面 A-A
SECT A-A

断面 B-B
SECT B-B



断面 A-A
SECT A-A
(175026のみ適用)
(ONLY 175026)

断面 B-B
SECT B-B
(175026のみ適用)
(ONLY 175026)

- 1. 製品規格 ; 108-5216, 108-5231, 108-5264
- 2. 取付適用規格 ; 114-5091
- 3. 部分金めっき (接触面のみ)
- 4. 識別用金めっき (全周)
- 5. 部分金めっき (両側のみ)

- 1. SPEC; 108-5216, 108-5231, 108-5264
- 2. APPLICATION SPEC; 114-5091
- 3. SELECTIVE GOLD PLATING (ONLY CONTACT SIDE)
- 4. GOLD PLATING FOR DISCERNMENT (ALL AROUND)
- 5. SELECTIVE GOLD PLATING (ONLY BOTH SIDES OF THE BOX)

TOLERANCE UNLESS OTHERWISE SPECIFIED: 一般公差	
0 < x ≤ 10	± 0.2
10 < x ≤ 30	± 0.25
30 < x ≤ 100	± 0.3
ANGLE	± 3°

WIRE RANGE AVS 0.2~0.3mm ² (AWG#24-#22)	INSULATION DIA. 1.4~1.9 mmφ
--	--------------------------------

THIS DRAWING IS A CONTROLLED DOCUMENT.

DIMENSIONS: mm	TOLERANCES UNLESS OTHERWISE SPECIFIED:
	0 PLC ± -
	1 PLC ± -
	2 PLC ± -
	3 PLC ± -
	4 PLC ± -
	ANGLES ± -
MATERIAL SEE TABLE	FINISH SEE TABLE

DWN T.SAGAWA 9/28'87	NAME
CHK M.MATSUSAKA 10/6'87	
APVD M.NOGUCHI 10/7'87	
PRODUCT SPEC	
APPLICATION SPEC	RESTRICTED TO
WEIGHT	

SECTIVE GOLD		黄銅 板厚0.3 BRASS t0.3	1-173630-2
SECTIVE GOLD		リン青銅 板厚0.3 PHOS BRO. t0.3	173630-7
PRE-TINNED		銅合金 板厚0.3 COPPER ALLOY t0.3	173630-6
SECTIVE GOLD		黄銅 板厚0.3 BRASS t0.3	173630-2
PRE-TINNED		黄銅 板厚0.3 BRASS t0.3	173630-1
パラ端子型番 L/P NUMBER	仕上 FINISH	材料 MATERIAL	型番 PART NUMBER



070 SERIES RECEPTACLE CONTACT

SIZE	CAGE CODE	DRAWING NO	RESTRICTED TO
A3	00779	C-173630	-

CUSTOMER DRAWING	SCALE 5:1	SHEET 1 OF 1	REV G1
------------------	-----------	--------------	--------