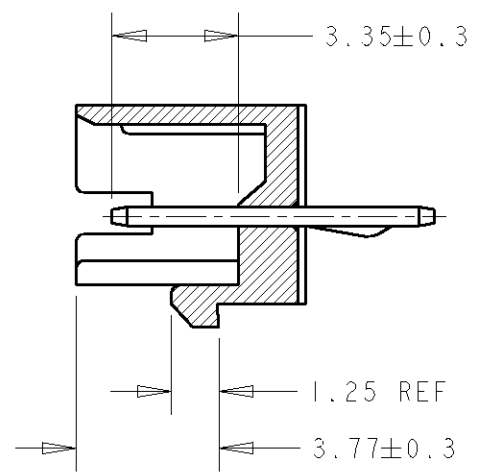
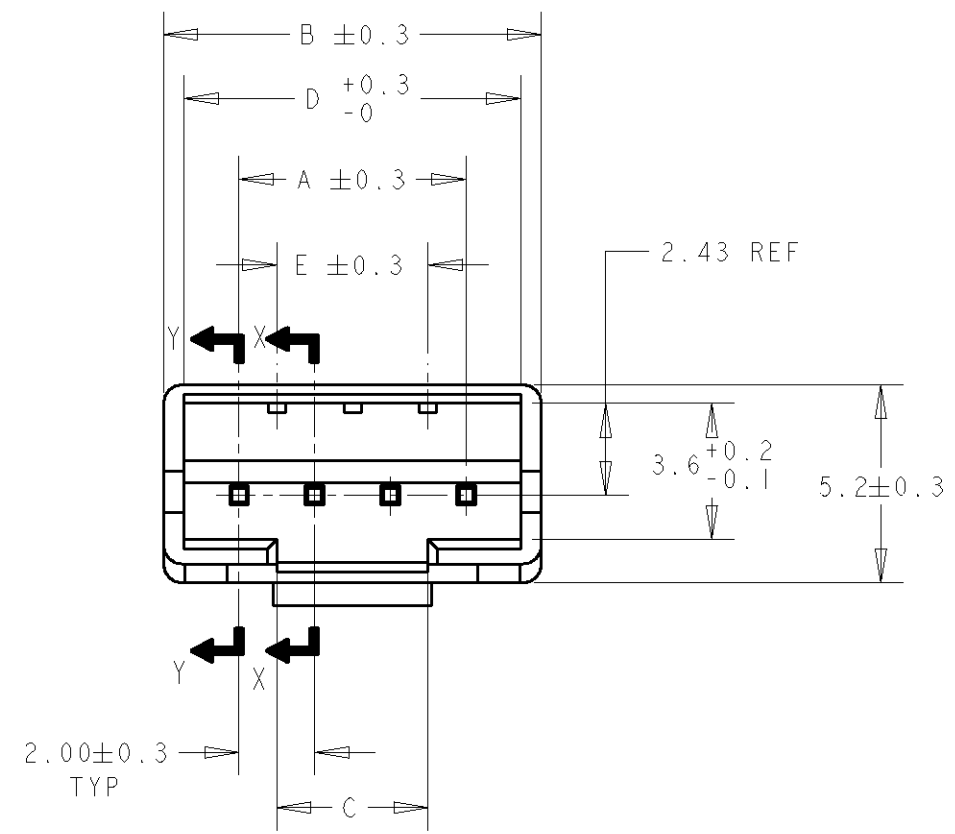
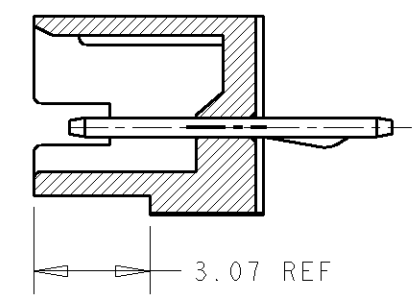


THIS DRAWING IS UNPUBLISHED. RELEASED FOR PUBLICATION  
 © COPYRIGHT - BY - ALL RIGHTS RESERVED.

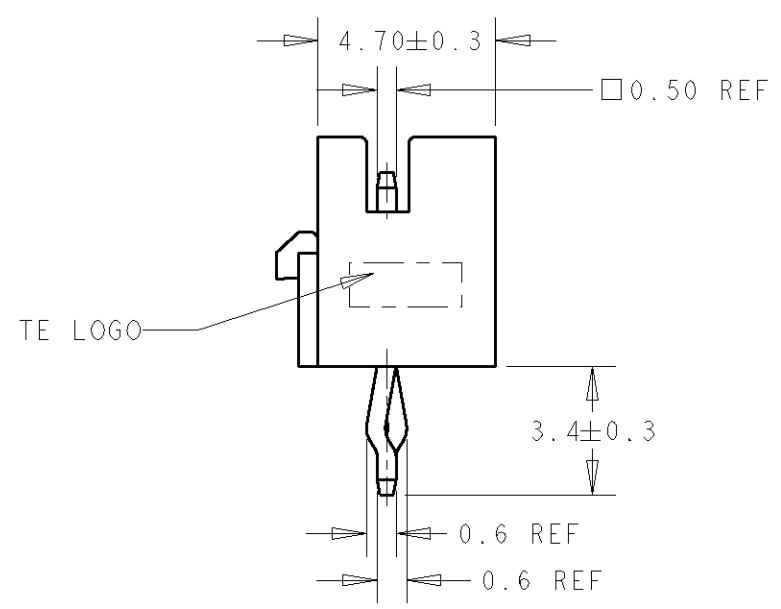
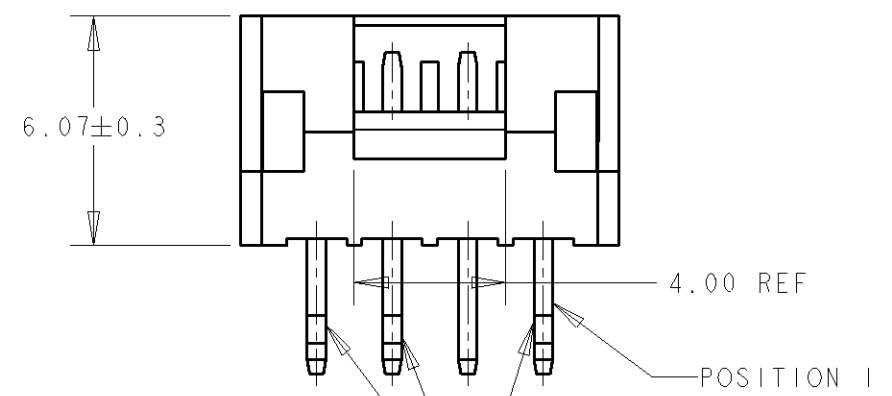
LOC	DIST	REVISIONS					
DY	-	P	LTR	DESCRIPTION	DATE	DWN	APVD
		C1		REVISED PER ECO-11-005139	19MAR11	RK	HMR



SECTION X - X



SECTION Y - Y



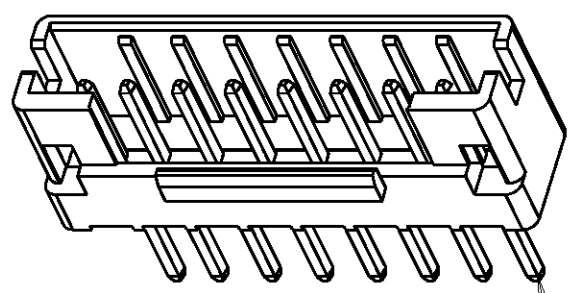
- NOTE:
- 1 MATERIAL: THERMOPLASTIC, UL 94V-0
  - 2 POST CONTACT: COPPER ALLOY
  - 3 FINISH: BRIGHT TIN OVER NICKEL UNDERPLATE ALL OVER
  - 4 SEE FIGURE 1 FOR KINK 'FOOTPRINT'
  - 5 ⊕ KINK DIRECTION OPPOSITE FROM ⊙

COLOUR	E	D	C	B	A	POS	PART NUMBER
BLACK	28.0	33.0	28.0±0.2	34.0	30.00	16P	3-1735446-6
	26.0	31.0	26.0±0.2	32.0	28.00	15P	3-1735446-5
	24.0	29.0	24.0±0.2	30.0	26.00	14P	3-1735446-4
	22.0	27.0	22.0±0.2	28.0	24.00	13P	3-1735446-3
	20.0	25.0	20.0±0.2	26.0	22.00	12P	3-1735446-2
	18.0	23.0	18.0±0.2	24.0	20.00	11P	3-1735446-1
	16.0	21.0	16.0±0.2	22.0	18.00	10P	3-1735446-0
	14.0	19.0	14.0±0.2	20.0	16.00	9P	2-1735446-9
	12.0	17.0	12.0±0.2	18.0	14.00	8P	2-1735446-8
	10.0	15.0	10.0±0.2	16.0	12.00	7P	2-1735446-7
	8.0	13.0	8.0±0.2	14.0	10.00	6P	2-1735446-6
	6.0	11.0	6.0±0.2	12.0	8.00	5P	2-1735446-5
4.0	9.0	4.0±0.2	10.0	6.00	4P	2-1735446-4	
2.0	7.0	2.0 <sup>+0.2</sup> <sub>-0.08</sub>	8.0	4.00	3P	2-1735446-3	
NATURAL	28.0	33.0	28.0±0.2	34.0	30.00	16P	1-1735446-6
	26.0	31.0	26.0±0.2	32.0	28.00	15P	1-1735446-5
	24.0	29.0	24.0±0.2	30.0	26.00	14P	1-1735446-4
	22.0	27.0	22.0±0.2	28.0	24.00	13P	1-1735446-3
	20.0	25.0	20.0±0.2	26.0	22.00	12P	1-1735446-2
	18.0	23.0	18.0±0.2	24.0	20.00	11P	1-1735446-1
	16.0	21.0	16.0±0.2	22.0	18.00	10P	1-1735446-0
	14.0	19.0	14.0±0.2	20.0	16.00	9P	1735446-9
	12.0	17.0	12.0±0.2	18.0	14.00	8P	1735446-8
	10.0	15.0	10.0±0.2	16.0	12.00	7P	1735446-7
	8.0	13.0	8.0±0.2	14.0	10.00	6P	1735446-6
	6.0	11.0	6.0±0.2	12.0	8.00	5P	1735446-5
4.0	9.0	4.0±0.2	10.0	6.00	4P	1735446-4	
2.0	7.0	2.0 <sup>+0.2</sup> <sub>-0.08</sub>	8.0	4.00	3P	1735446-3	

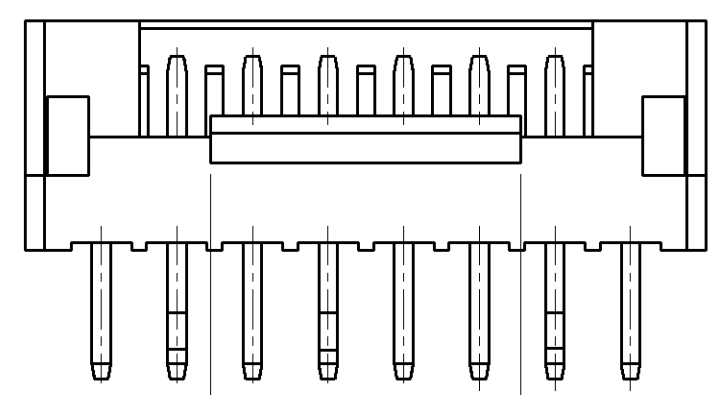
DIMENSIONS: mm 		TOLERANCES UNLESS OTHERWISE SPECIFIED: 0 PLC ± 1 PLC ± 2 PLC ± 3 PLC ± 4 PLC ± ANGLES ± MATERIAL FINISH		DWN WYLEE 14 NOV 2006 CHK KT GOH 11 APR 2007 APVD SF LEONG 1 JUN 2007 PRODUCT SPEC 108-51087 APPLICATION SPEC - WEIGHT -		TE Connectivity NAME 2.0mm PITCH HPI POST HEADER WITH LOCK, VERTICAL SIZE A3 CAGE CODE 00779 DRAWING NO C-1735446	
MATERIAL FINISH 1 2 3		CUSTOMER DRAWING		SCALE 5:1 SHEET 1 OF 2 REV C1			

THIS DRAWING IS UNPUBLISHED. RELEASED FOR PUBLICATION  
 © COPYRIGHT BY ALL RIGHTS RESERVED.

LOC	DIST	REVISIONS			
P	LTR	DESCRIPTION	DATE	DWN	APVD
DY	-	SEE SHEET 1			

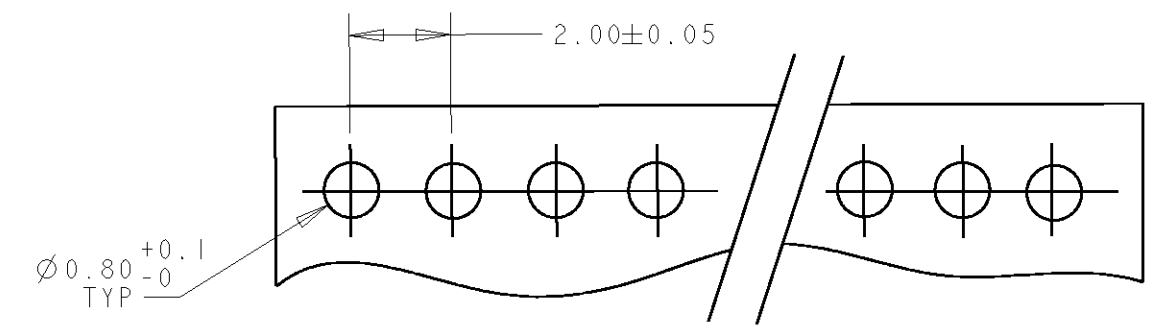


POSITION 1

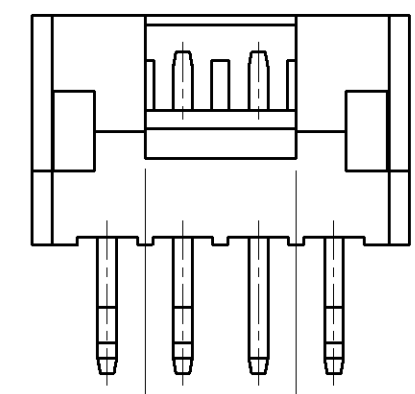


8.20±0.3

7~16P

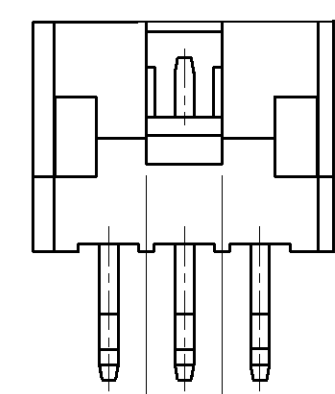


RECOMMENDED PCB LAYOUT  
 (NON ACCUMULATIVE TOLARANCE)  
 (PCB THK = 1.0~1.6mm)



4.00±0.3

4~6P



2.00±0.3

3P

FIG.1 5

3P	●	⊕	●													
4P	●	○	⊕	●												
5P	●	○	⊕	○	●											
6P	●	○	○	⊕	○	●										
7P	○	●	○	⊕	○	●	○									
8P	○	●	○	○	⊕	○	●	○								
9P	○	●	○	○	⊕	○	○	●	○							
10P	○	●	○	○	○	⊕	○	○	●	○						
11P	○	●	○	○	○	⊕	○	○	○	●	○					
12P	○	●	○	○	○	○	⊕	○	○	○	●	○				
13P	○	●	○	○	○	○	⊕	○	○	○	○	●	○			
14P	○	●	○	○	○	○	○	⊕	○	○	○	○	●	○		
15P	○	●	○	○	○	○	○	○	⊕	○	○	○	○	●	○	
16P	○	●	○	○	○	○	○	○	○	⊕	○	○	○	○	●	
POS	1	2	3	4	5	6	7	8	9	10	11	12	13	14	15	16

DIMENSIONS: mm		TOLERANCES UNLESS OTHERWISE SPECIFIED:		DWN 14 NOV 2006 WYLEE		TE Connectivity	
		0 PLC ± 1 PLC ± 2 PLC ± 3 PLC ± 4 PLC ± ANGLES ±		CHK 11 APR 2007 KT GOH			
MATERIAL SEE SHEET 1		FINISH SEE SHEET 1		APVD 1 JUN 2007 SEIFONG		NAME 2.0mm PITCH HPI POST HEADER WITH LOCK, VERTICAL	
				PRODUCT SPEC 108-51087		DRAWING NO C-1735446	
				WEIGHT -		SIZE A3	
				CUSTOMER DRAWING		CAGE CODE 00779	
						SCALE 5:1	
						SHEET 2 OF 2	
						REV C1	