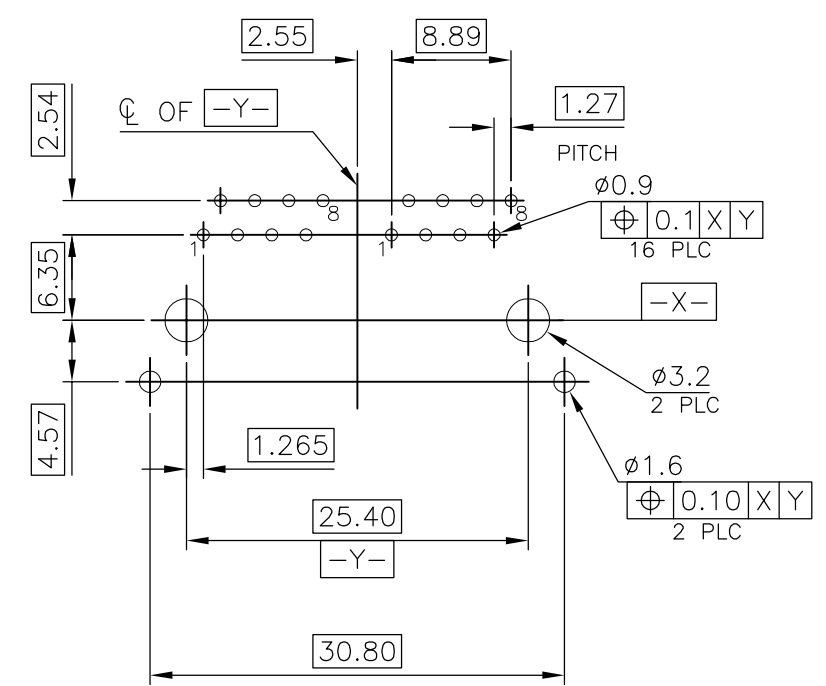
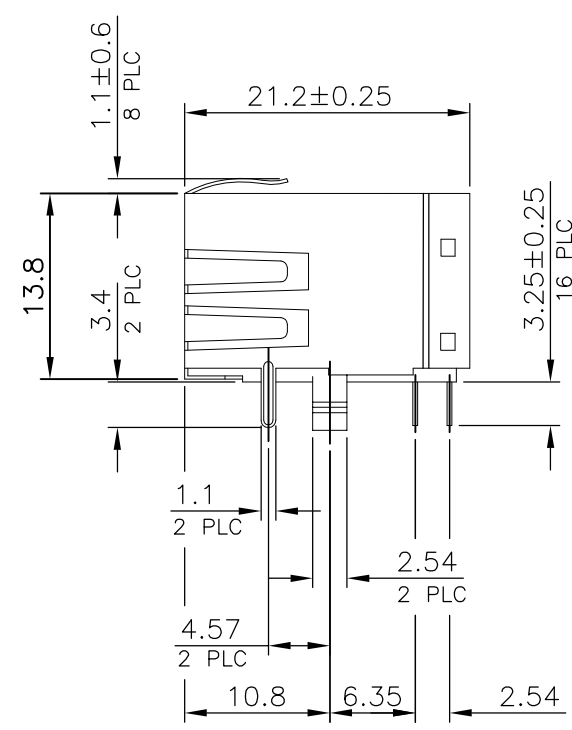
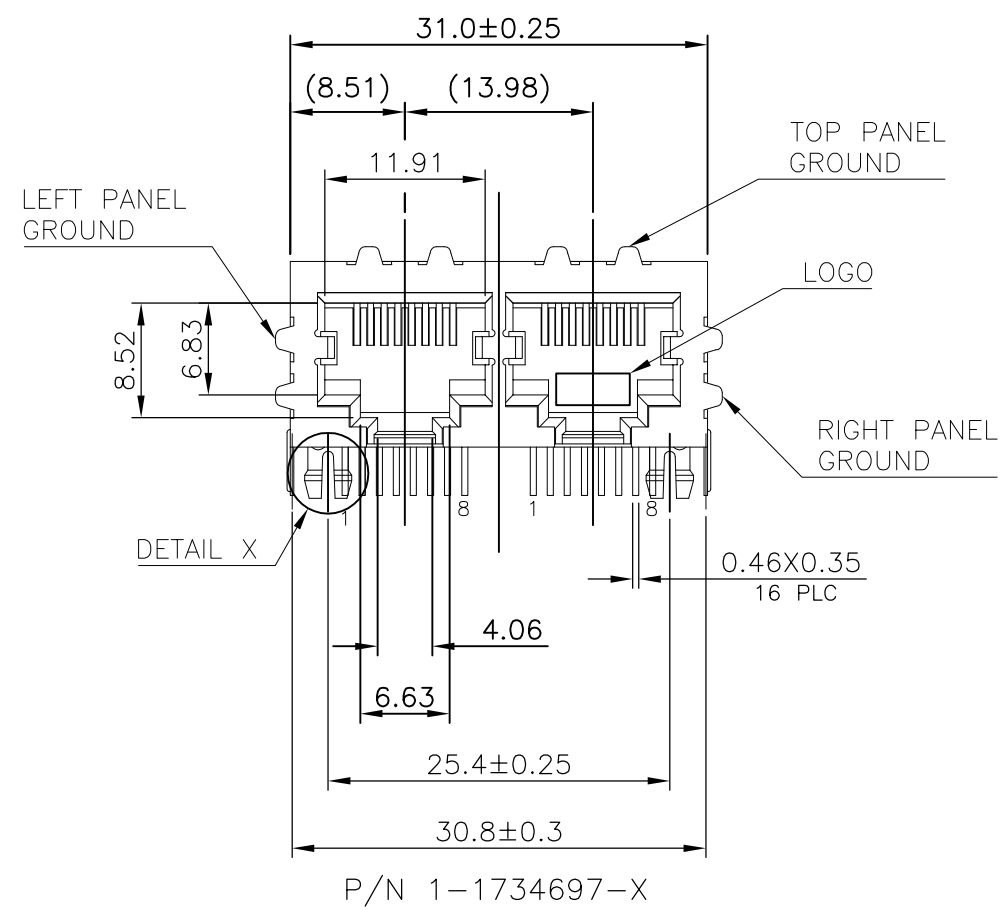
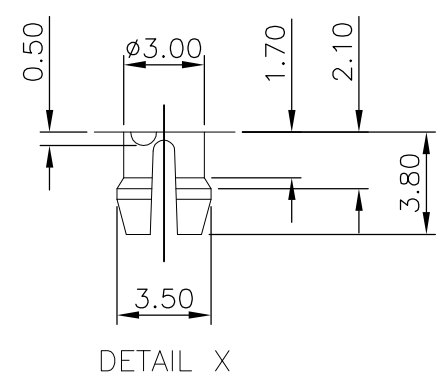
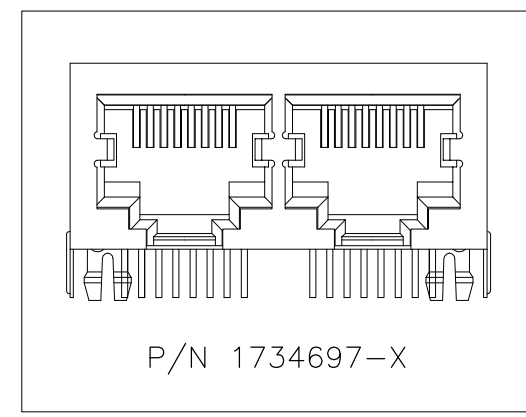
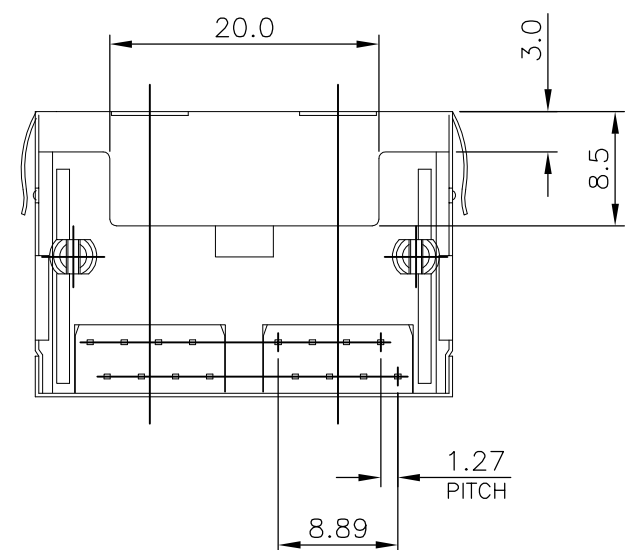


THIS DRAWING IS UNPUBLISHED. RELEASED FOR PUBLICATION
 © COPYRIGHT - TE Connectivity ALL RIGHTS RESERVED.

REVISIONS				
P	LTR	DESCRIPTION	DATE	APVD
E		ECO-17-012343	30NOV2017	SH



RECOMMENDED PCB LAYOUT (THICKNESS: 1.6mm)
 (DIMENSION TOLERANCE: 1 PLC: ±0.1 2PLC: ±0.05)
 TOP VIEW



OBSOLETE	W	1.27um [50u"]	1-1734697-4
		0.762um [30u"]	1-1734697-3
		0.381um [15u"]	1-1734697-2
OBSOLETE	W/O	0.152um [6u"]	1-1734697-1
		1.27um [50u"]	1-1734697-4
		0.762um [30u"]	1-1734697-3
		0.381um [15u"]	1-1734697-2
	PANEL GROUND	MIN. GOLD THICKNESS	PART NUMBER

NOTE:
 1. MATERIAL:
 HOUSING: PBT WITH 30% GF, UL94 V-0, COLOR: BLACK.
 CONTACTS: PHOSPHOR BRONZE.
 SHELL: BRASS.
 2. FINISH:
 CONTACTS: (SEE TABLE) GOLD PLATED ON CONTACT AREA, GOLD FLASH ON SOLDER TAIL, WITH ENTIRE CONTACT UNDERPLATED 1.27um [50u"] MIN. NICKEL.
 SHELL: 0.508um [20u"] MIN. NICKEL PLATED.
 3. WAVE SOLDER CAPABLE TO 240°C PER TE SPEC 109-202, CONDITION B.

THIS DRAWING IS A CONTROLLED DOCUMENT.		DWN T. KUO 09JUL2008		
DIMENSIONS: mm		CHK A. WU 09JUL2008		
TOLERANCES UNLESS OTHERWISE SPECIFIED:		APVD W. KODAMA 09JUL2008	NAME	
0 PLC ± -		PRODUCT SPEC	MODULAR JACK CONNECTOR	
1 PLC ± 0.3		108-57535	RJ45, 8P8C, TAB DOWN, 1X2 PORTS	
2 PLC ± 0.2		APPLICATION SPEC	SHIELDED, DIP TYPE	
3 PLC ± 0.15			SIZE	CAGE CODE
4 PLC ± -			A3	00779
ANGLES ± 3'			DRAWING NO	C-1734697
MATERIAL SEE NOTE	FINISH SEE NOTE	WEIGHT 12	RESTRICTED TO	-
		CUSTOMER DRAWING	SCALE 1:1	SHEET 1 OF 2
			REV E	

4

3

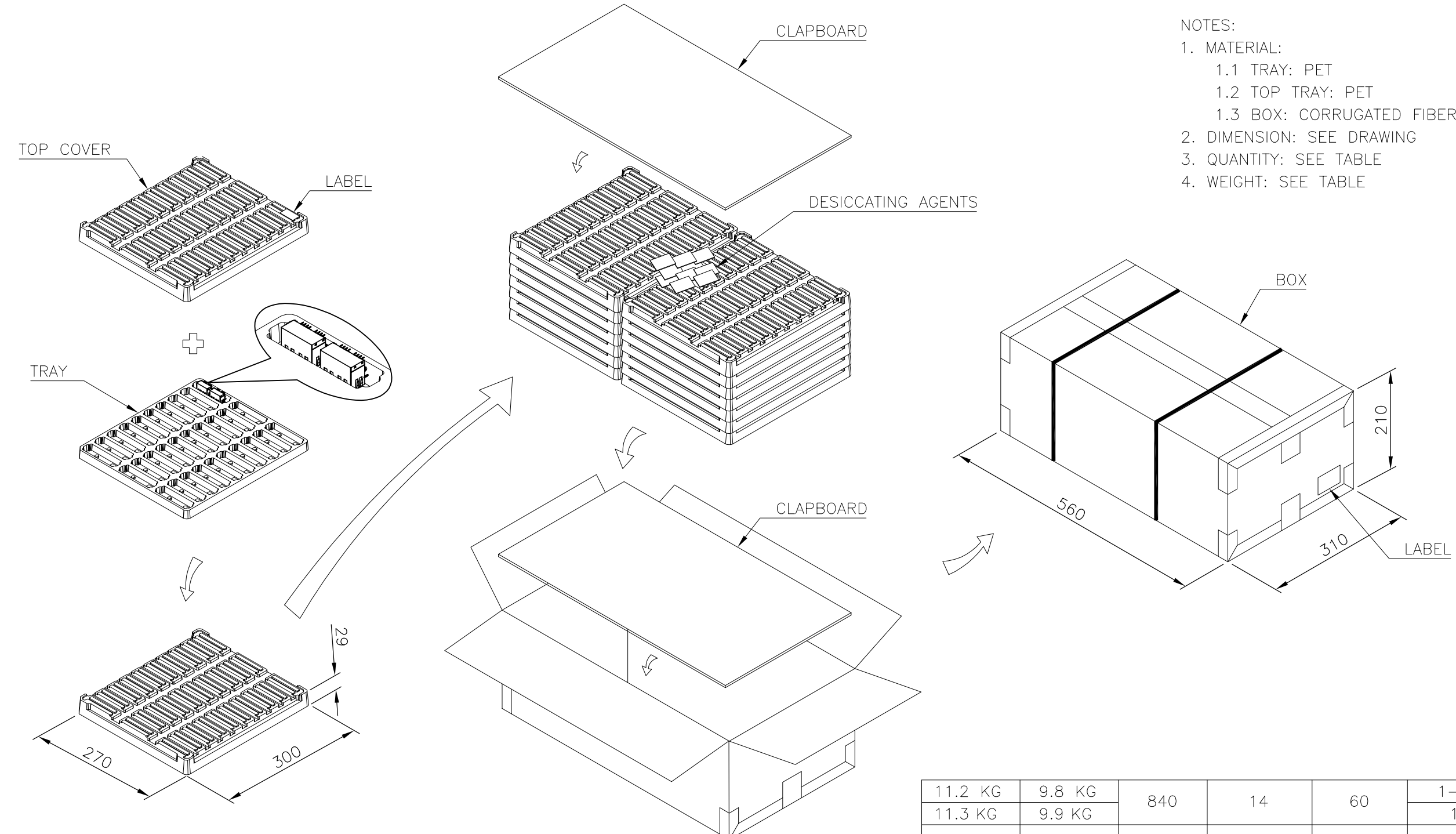
2

1

THIS DRAWING IS UNPUBLISHED. RELEASED FOR PUBLICATION
 © COPYRIGHT - TE Connectivity ALL RIGHTS RESERVED.

REVISIONS					
P	LTR	DESCRIPTION	DATE	DWN	APVD
-	-	SEE SHEET 1	-	-	-

- NOTES:
- MATERIAL:
 - 1.1 TRAY: PET
 - 1.2 TOP TRAY: PET
 - 1.3 BOX: CORRUGATED FIBER.
 - DIMENSION: SEE DRAWING
 - QUANTITY: SEE TABLE
 - WEIGHT: SEE TABLE



11.2 KG	9.8 KG	840	14	60	1-1734697-X
11.3 KG	9.9 KG				1734697-X
WEIGHT (REF.)	WEIGHT (REF.)	PCS/BOX	TRAYS/BOX	PCS/TRAY	PART NUMBER

THIS DRAWING IS A CONTROLLED DOCUMENT.		DWN T. KUO 09JUL2008			
DIMENSIONS: mm		CHK A. WU 09JUL2008			
		APVD W. KODAMA 09JUL2008			
TOLERANCES UNLESS OTHERWISE SPECIFIED: 0 PLC ± - 1 PLC ± 0.3 2 PLC ± 0.2 3 PLC ± 0.15 4 PLC ± - ANGLES ± 3°		NAME MODULAR JACK CONNECTOR RJ45,8P8C,TAB DOWN,1X2 PORTS SHIELDED, DIP TYPE			
MATERIAL SEE NOTE	FINISH SEE NOTE	PRODUCT SPEC 108-57535	SIZE A3	CAGE CODE 00779	DRAWING NO 1734697
CUSTOMER DRAWING			RESTRICTED TO -	SCALE 1:1	SHEET 2 OF 2
			REV E		