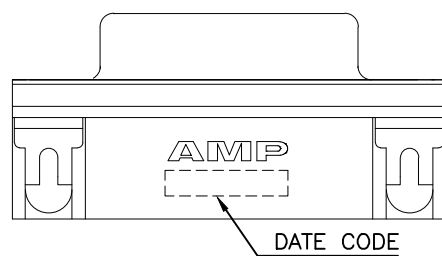
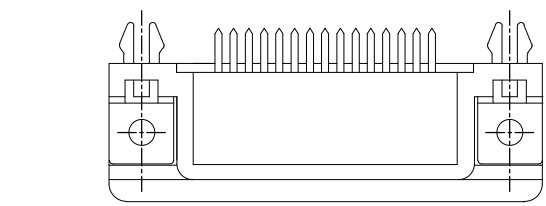
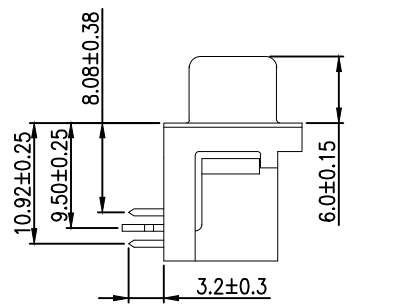
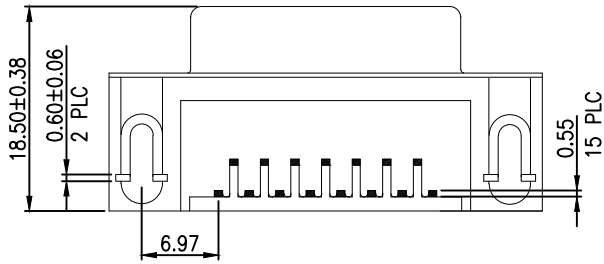
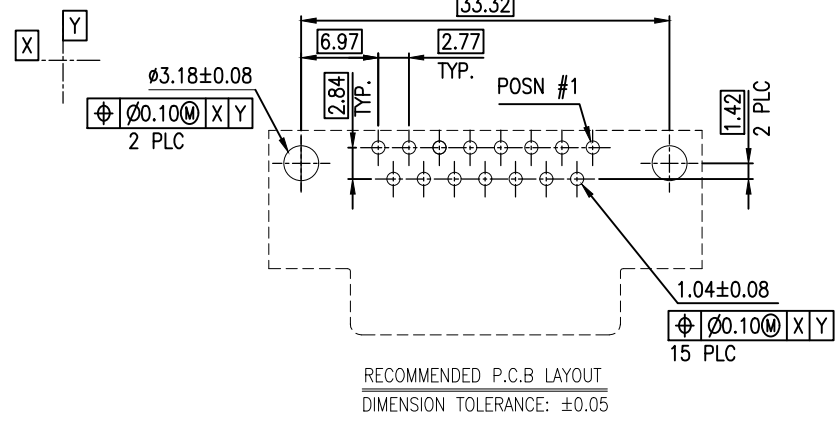
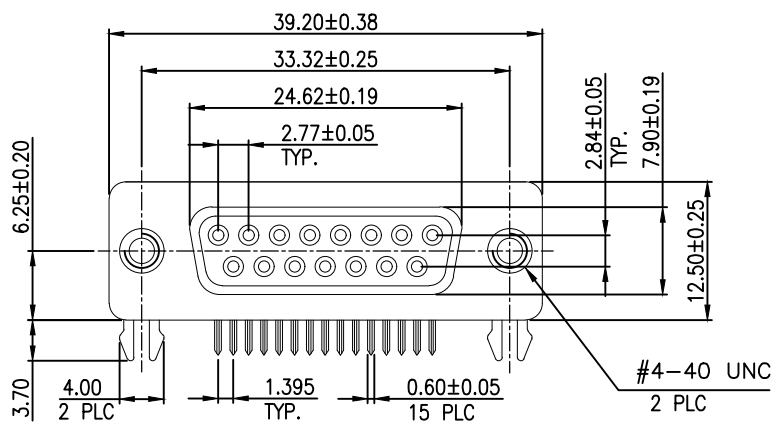


THIS DRAWING IS UNPUBLISHED. RELEASED FOR PUBLICATION AUG, 2006.

© COPYRIGHT BY TYCO ELECTRONICS CORPORATION. ALL RIGHTS RESERVED.

LOC		DIST		REVISIONS			
DW		P	LTR	DESCRIPTION	DATE	DWN	APVD
			D	REVISED PER ECO-17-013750	16FEB2018	AP	DG



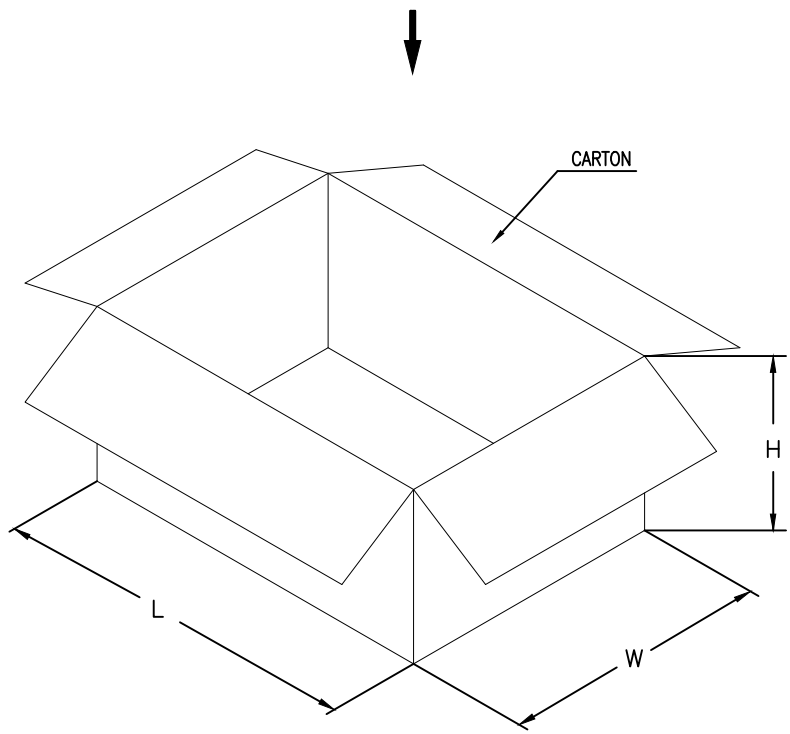
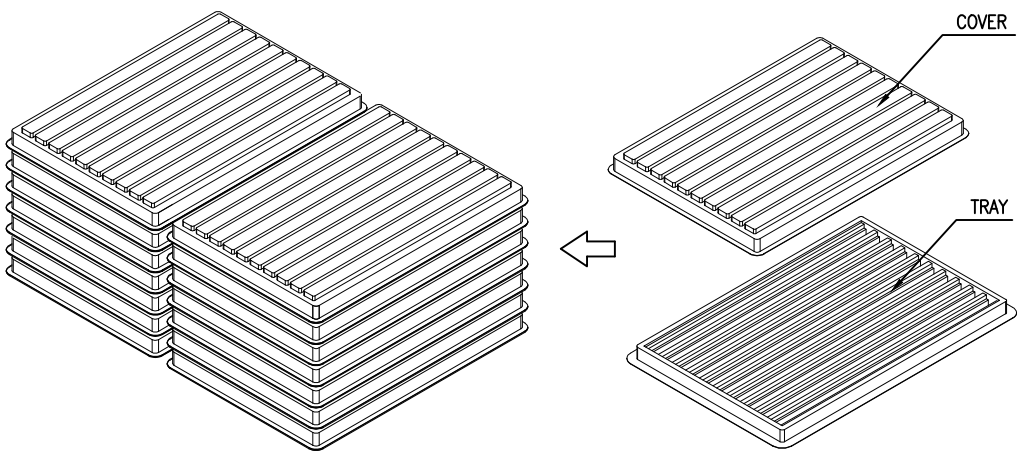
- NOTES:
- MATERIAL:
 - HOUSING: THERMOPLASTIC(PBT)
UL 94V-0, COLOR: BLACK
 - CONTACTS: PHOSPHOR BRONZE
 - SHELL: SPCC
 - BOARDLOCKS: BRASS
 - RIVET: BRASS
 - FINISH:
 - CONTACT:
GOLD PLATING ON CONTACT AREA. (SEE TABLE)
2.54um[100u"] MIN. MATTE TIN PLATING ON SOLDER TAIL AREA
1.27um[50u"] MIN. NICKEL UNDERPLATED OVERALL
 - BOARDLOCK:
2.54um[100u"] MIN MATTE TIN PLATING ON
1.27um[50u"] MIN NICKEL UNDERPLATED OVERALL
 - SHELL: 1.27um[50u"] MIN. NICKEL PLATED
 - RIVET: 1.27um[50u"] MIN. NICKEL PLATED
 - NET WEIGHT: 10.7 gram/pc.
 - WAVE SOLDER CAPABLE TO 265°C
PER TE SPEC. 109-202, CONDITION B
 - DATE CODE: YYWW

	OBSOLETE	15u"	1734355-2
SUPERSEDED BY	2311767-1	G/F	1734355-1
		GOLD FLASH	PART NO.

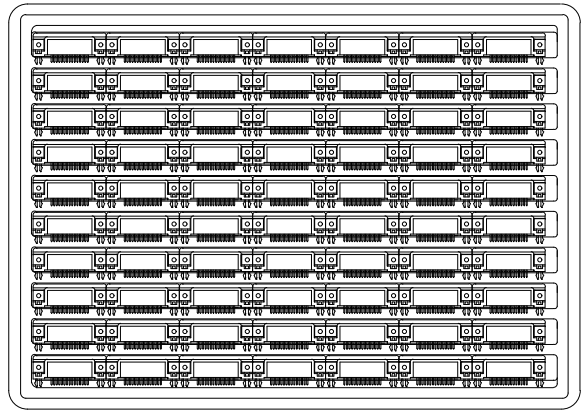
THIS DRAWING IS A CONTROLLED DOCUMENT.		DWN	J. LEE	09-MAY-2006		NAME		RECEPTACLE ASSEMBLY, 15 POSN RIGHT ANGLE, 8.08mm[0.318in] SERIES, AMPLIMITE	
DIMENSIONS: MM		CHK	S. HOU	09-MAY-2006		PRODUCT SPEC		108-57541	
		APVD	W.J. KE	09-MAY-2006		QUALIFICATION TEST REPORT		501-57623	
TOLERANCES UNLESS OTHERWISE SPECIFIED:		MATERIAL		WEIGHT		CUSTOMER DRAWING		RESTRICTED TO	
0 PLC ± 0.5 1 PLC ± 0.3 2 PLC ± 0.2 3 PLC ± 0.15 4 PLC ± - ANGLES ± 3°		SEE NOTE		SEE NOTES		A3 00779 C=1734355		-	
MATERIAL		FINISH		SCALE		SHEET		REV	
SEE NOTE		SEE NOTE		-		1 OF 2		D	

THIS DRAWING IS UNPUBLISHED. RELEASED FOR PUBLICATION AUG ,2006.
 © COPYRIGHT BY TYCO ELECTRONICS CORPORATION. ALL RIGHTS RESERVED.

LOC	DIST	REVISIONS					
DW		P	LTR	DESCRIPTION	DATE	DWN	APVD
				SEE SHEET 1.			



- NOTES:
- MATERIAL:
 - 1.1 TRAY: PVC
 - 1.2 SHIPPING CARTON: CORRUGATED FIBERBOARD
 - DIMENSION:
 - 2.1 TRAY: L=306, W=217, H=15
 - 2.2 SHIPPING CARTON: L=440, W=321, H=170
 - QUANTITY:
 - 3.1 PRIMARY PACKING: 70 PCS/TRAY
 - 3.2 SECONDARY PACKING: 14 TRAY/CARTON(980PCS)
 - CARTON WEIGHT:
 - 4.1 NET WEIGHT: 10.5 KG
 - 4.2 GROSS WEIGHT: 11.5 KG



THIS DRAWING IS A CONTROLLED DOCUMENT.		DWN				
DIMENSIONS: MM		CHK				
TOLERANCES UNLESS OTHERWISE SPECIFIED:		APVD	NAME			
0 PLC ± -		PRODUCT SPEC	RECEPTACLE ASSEMBLY, 15 POSN			
1 PLC ± -		APPLICATION SPEC	RIGHT ANGLE, 8.08mm[0.318in]			
2 PLC ± -		WEIGHT	SERIES, AMPLIMITE			
3 PLC ± -		CUSTOMER DRAWING	SIZE	CAGE CODE	DRAWING NO	RESTRICTED TO
4 PLC ± -			A3	00779	C=1734355	-
ANGLES ± -			SCALE		SHEET	REV
FINISH			-		2 OF 2	D