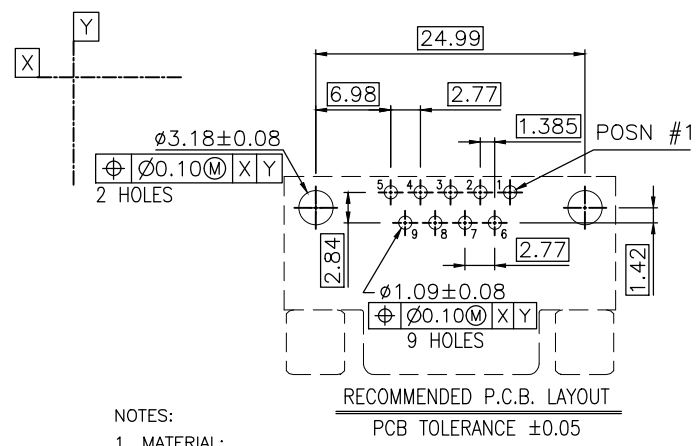
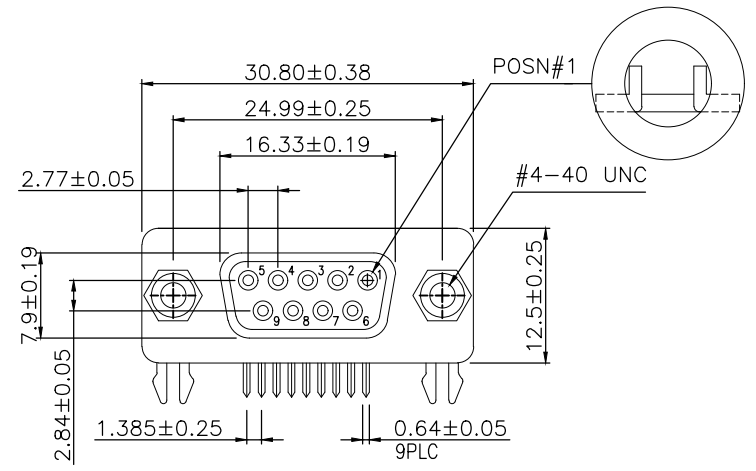
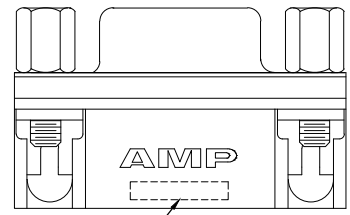
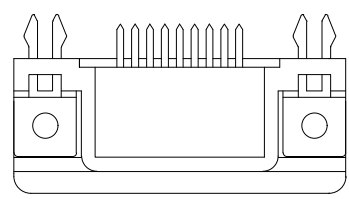
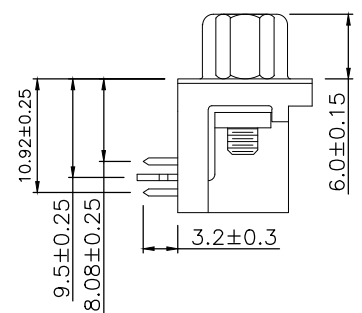
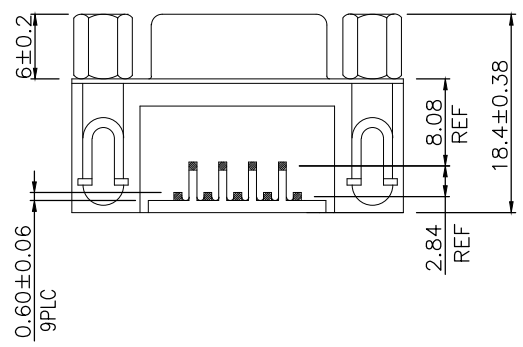


THIS DRAWING IS UNPUBLISHED. RELEASED FOR PUBLICATION  
 © COPYRIGHT BY ALL RIGHTS RESERVED.

LOC		DIST		REVISIONS				
P	LTR	DESCRIPTION			DATE	DWN	APVD	
DW	-	B	REVISED PER ECO-17-013750			16FEB2018	AP	DG



- NOTES:
- MATERIAL:
    - HOUSING: NY9T WITH 30% G.F. UL 94V-0, COLOR: BLACK
    - CONTACTS: PHOSPHOR BRONZE
    - SHELL: SPCC
    - BOARDLOCKS: BRASS
    - RIVET: BRASS
    - SCREWLOCKS: BRASS, THREAD LENGTH OF SCREW: 6.0 MIN.
  - FINISH:
    - CONTACT: GOLD PLATING ON CONTACT AREA. (SEE TABLE) 2.54µm[100µ"] MIN. MATTE-TIN PLATING ON SOLDER TAIL, 1.27µm[50µ"] MIN. NICKEL UNDERPLATED ON ENTIRE CONTACT.
    - BOARDLOCK: 2.54µm[100µ"] MIN. MATTE-TIN PLATING OVER 1.27µm[50µ"] MIN. NICKEL UNDERPLATED ON ENTIRE CONTACT.
    - SHELL: NICKEL PLATED
    - RIVET: NICKEL PLATED
    - SCREWLOCKS: NICKEL PLATED
  - NET WEIGHT: 8.9 gram/PC.
  - THREADED INSERTS AND SCREWLOCKS MUST WITHSTAND 6 IN-LBS TORQUE.
  - DAET CODE: YYWW
  - REFLOW SOLDER CAPABLE TO 260°C PER TE CONNECTIVITY SPEC. 109-201, CONDITION B.

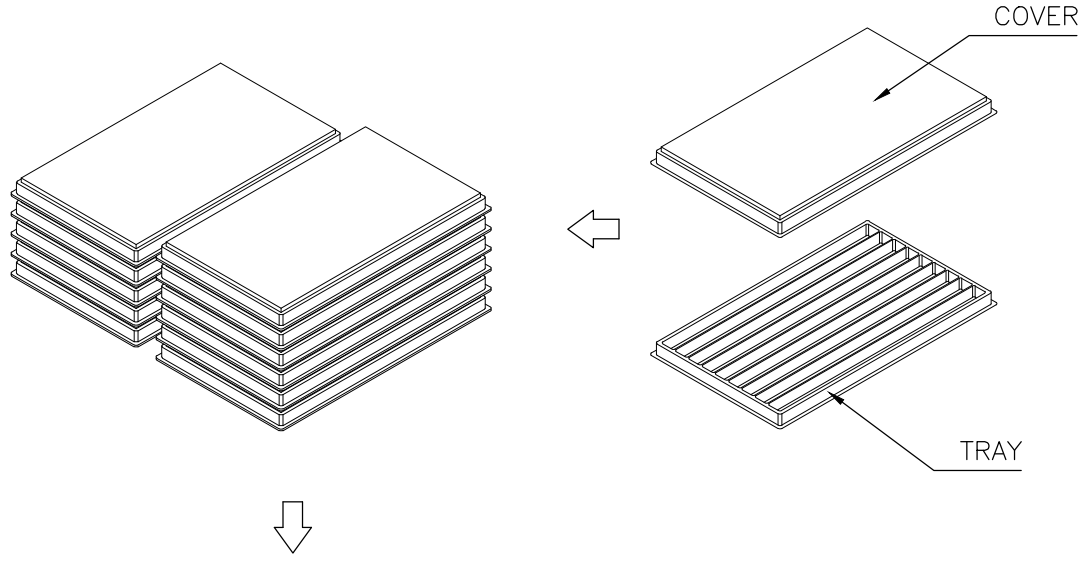


SUPERSEDED BY 2311765-2	0.38um[15u"]	1734354-2
SUPERSEDED BY 2311765-1	GOLD-FLASH	1734354-1
	CONTACT FINISH MIN.	PART NO.

THIS DRAWING IS A CONTROLLED DOCUMENT.		DWN	17NOV2006			NAME		RECEPTACLE ASSEMBLY, 9 POSN, RIGHT ANGLE, 8.08mm[0.318in] SERIES, AMPLIMITE, WITH SCREWLOCKS	
DIMENSIONS: MM		CHK	17NOV2006			PRODUCT SPEC			SIZE
TOLERANCES UNLESS OTHERWISE SPECIFIED:		S	HOU			QUALIFICATION TEST REPORT			
0 PLC ± - 1 PLC ± 0.38 2 PLC ± 0.25 3 PLC ± 0.15 4 PLC ± - ANGLES ± -		APVD	17NOV2006			501-57623			DRAWING NO
MATERIAL SEE NOTE		FINISH	SEE NOTE		108-57541		RESTRICTED TO		
		WEIGHT		SEE NOTE		A3 00779 C=1734354			
		CUSTOMER DRAWING		SCALE -		SHEET 1 OF 2		REV B	

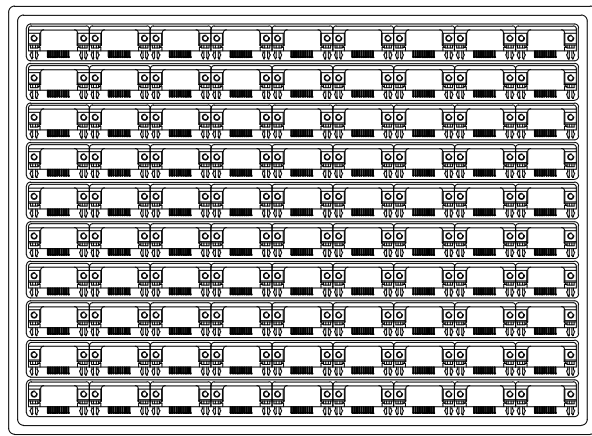
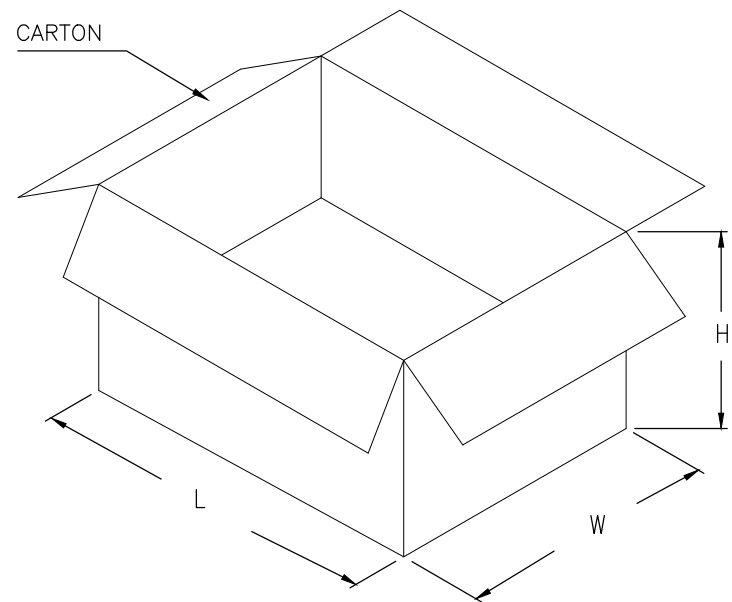
THIS DRAWING IS UNPUBLISHED. RELEASED FOR PUBLICATION  
 © COPYRIGHT BY ALL RIGHTS RESERVED.

LOC	DIST	REVISIONS				
P	LTR	DESCRIPTION	DATE	DWN	APVD	
-	-	SEE SHEET 1.	-	-	-	



NOTES:

1. MATERIAL:
  - 1.1 TRAY: PVC
  - 1.2 SHIPPING CARTON: CORRUGATED FIBERBOARD
2. DIMENSION:
  - 2.1 TRAY: L=306, W=217, H=15.8
  - 2.2 SHIPPING CARTON: L=440, W=321, H=153
3. QUANTITY:
  - 3.1 PRIMARY PACKING: 90 PCS/TRAY
  - 3.2 SECONARY PACKING: 11 TRAY/CARTON(990PCS)
4. CARTON WEIGHT:
  - 4.1 NET WEIGHT: 8.9 KG
  - 4.2 GROSS WEIGHT: 9.9 KG



THIS DRAWING IS A CONTROLLED DOCUMENT.		DWN J. LEE 17NOV2006		NAME RECEPTACLE ASSEMBLY, 9 POSN, RIGHT ANGLE, 8.08mm[0.318in] SERIES, AMPLIMITE, WITH SCREWLOCKS
DIMENSIONS: MM		CHK S. HOU 17NOV2006		
TOLERANCES UNLESS OTHERWISE SPECIFIED: 0 PLC ± - 1 PLC ± - 2 PLC ± - 3 PLC ± - 4 PLC ± - ANGLES ± - MATERIAL FINISH		APVD W.J. KE 17NOV2006	DRAWING NO C=1734354	RESTRICTED TO -
MATERIAL		PRODUCT SPEC -	CAGE CODE 00779	SCALE -
		APPLICATION SPEC -	WEIGHT -	SHEET 2 OF 2
		CUSTOMER DRAWING		REV B