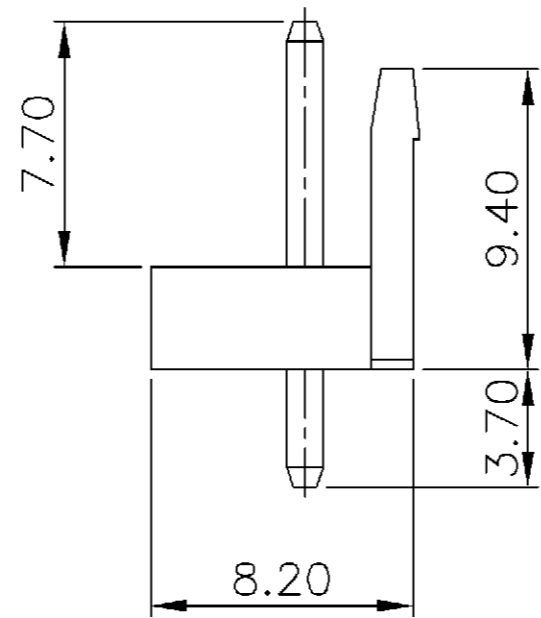
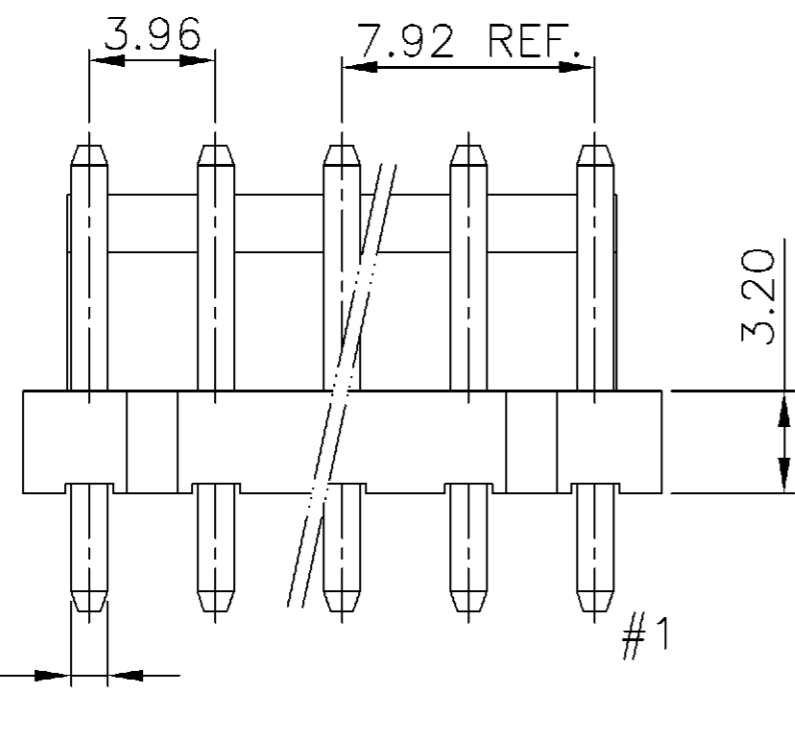
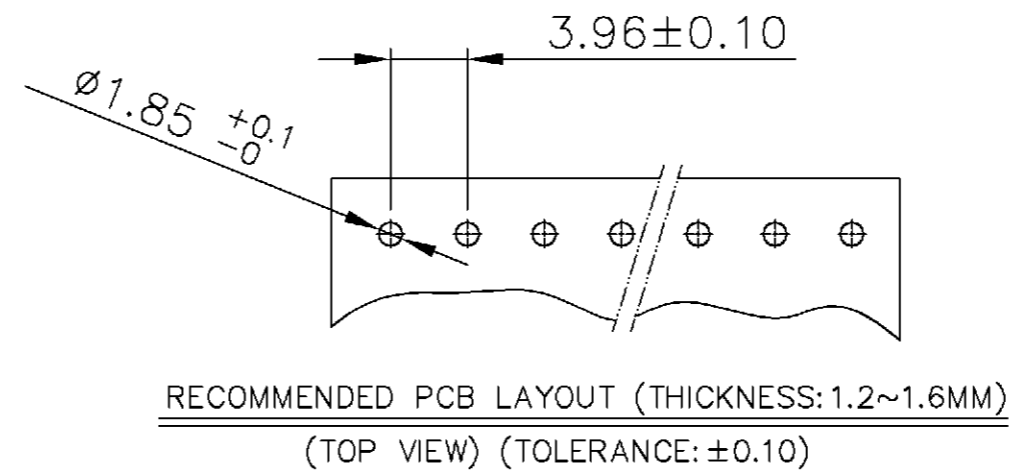
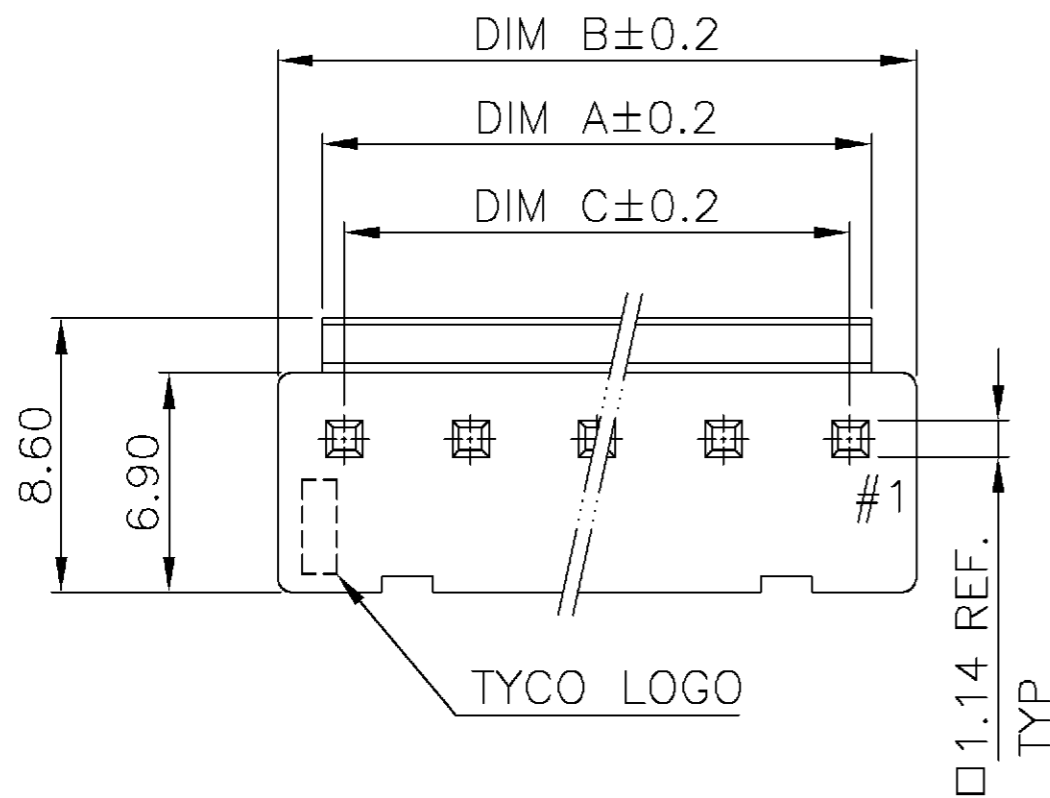


NUMBER C-1734089
 METRIC
 3RD ANGLE PROJECTION
 PRINT DW
 THIS INFORMATION IS CONFIDENTIAL AND IS DISCLOSED TO YOU ON CONDITION THAT NO FURTHER DISCLOSURE IS MADE BY YOU TO OTHER THAN AMP PERSONNEL WITHOUT WRITTEN AUTHORIZATION FROM AMP (TAIWAN) LTD. DIMENSIONS IN MILLIMETERS. DO NOT SCALE PRINT.



NOTE:

- MATERIAL :
HOUSING : THERMOPLASTIC UL94V-0, WHITE COLOR.
CONTACT : BRASS.
- FINISH:
CONTACT : 80u" MIN. TIN PLATED OVER
30u" MIN. NICKEL UNDERPLATED ALL OVER

3 OBSOLETE PARTS: OBSOLETE CIS STREAMLINING PER D.RENAUD/D.SINISI

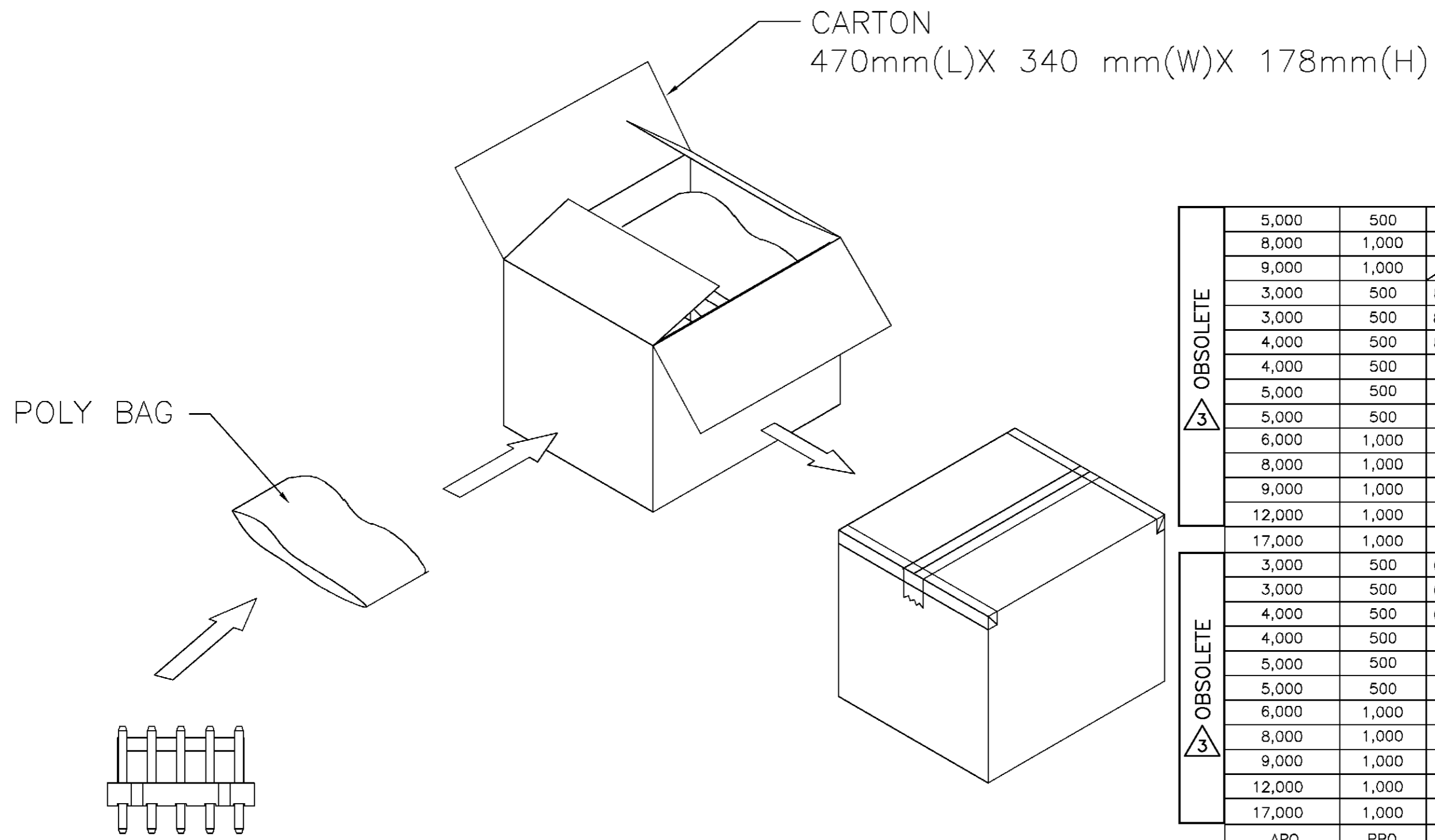
A1	REVISED	ECO-09-026495	KK AEG	28NOV 09
A	REVISE PACKAGE QTY'S	FZ00-0175-04	OH SH	30JUL 2004
O	FIRST RELEASED	FZ00-0057-04	OH SH	16APR 2004
LTR	REVISION RECORD	ECN	DWN CHK	DATE

TOLERANCES UNLESS OTHERWISE SPECIFIED:		DWN O. HU		30-JUL-2004	
0 PLC	±	CHK S. HOU		30-JUL-2004	
1 PLC	±0.25	APVD T. KE		30-JUL-2004	
2 PLC	±0.15	PRODUCT SPEC		108-57468	
3 PLC	±0.05	QUALIFICATION TEST REPORT		501-57538	
ANGLES	±	WEIGHT		SCALE	

OBSOLETE 3	BLACK	PIN #2	43.56	47.52	44.90	12	8-1734089-2
			39.60	43.56	40.94	11	9-1734089-1
OBSOLETE 3	NATURAL	PIN #2	35.64	39.60	36.98	10	8-1734089-0
			31.68	35.64	33.02	9	7-1734089-9
			27.72	31.68	29.06	8	7-1734089-8
			23.76	27.72	25.10	7	7-1734089-7
			19.80	23.76	21.14	6	7-1734089-6
			15.84	19.80	17.18	5	7-1734089-5
			11.88	15.84	13.22	4	7-1734089-4
			7.92	11.88	9.26	3	7-1734089-3
			3.96	7.92	5.30	2	7-1734089-2
			OBSOLETE 3	NATURAL	PIN #2	43.56	47.52
39.60	43.56	40.94				11	6-1734089-1
35.64	39.60	36.98				10	6-1734089-0
31.68	35.64	33.02				9	5-1734089-9
27.72	31.68	29.06				8	5-1734089-8
23.76	27.72	25.10				7	5-1734089-7
19.80	23.76	21.14				6	5-1734089-6
15.84	19.80	17.18				5	5-1734089-5
11.88	15.84	13.22				4	5-1734089-4
7.92	11.88	9.26				3	5-1734089-3

THIS INFORMATION IS CONFIDENTIAL AND IS DISCLOSED TO YOU ON CONDITION THAT NO FURTHER DISCLOSURE IS MADE BY YOU TO OTHER THAN AMP PERSONNEL WITHOUT WRITTEN AUTHORIZATION FROM AMP (TAIWAN) LTD. DIMENSIONS IN MILLIMETERS. DO NOT SCALE PRINT.

NUMBER C-1734089
 METRIC
 3RD ANGLE PROJECTION



OBSOLETE 3	5,000	500	4-1734089-7
	8,000	1,000	4-1734089-5
	9,000	1,000	4-1734089-4
	3,000	500	8-1734089-2
	3,000	500	8-1734089-1
	4,000	500	8-1734089-0
	4,000	500	7-1734089-9
	5,000	500	7-1734089-8
	5,000	500	7-1734089-7
	6,000	1,000	7-1734089-6
	8,000	1,000	7-1734089-5
	9,000	1,000	7-1734089-4
12,000	1,000	7-1734089-3	
	17,000	1,000	7-1734089-2
OBSOLETE 3	3,000	500	6-1734089-2
	3,000	500	6-1734089-1
	4,000	500	6-1734089-0
	4,000	500	5-1734089-9
	5,000	500	5-1734089-8
	5,000	500	5-1734089-7
	6,000	1,000	5-1734089-6
	8,000	1,000	5-1734089-5
	9,000	1,000	5-1734089-4
	12,000	1,000	5-1734089-3
	17,000	1,000	5-1734089-2
	APQ (PCS/CARTON)	PPQ (PCS/BAG)	PART NUMBER

TOLERANCES UNLESS OTHERWISE SPECIFIED: 0 PLC ± 1 PLC ± 2 PLC ± 3 PLC ± ANGLES ±		DWN O. HU 30-JUL-2004	TYCO HOLDINGS (BERMUDA) VII LTD. TAIWAN BRANCH	
MATERIAL SEE NOTE	APVD T. KE 30-JUL-2004	CHK S. HOU 30-JUL-2004	NAME HPI 3.96 MM PITCH, HEADER, VERTICAL	
FINISH SEE NOTE	APPLICATION SPEC	WEIGHT	LOC DW	SIZE A ₃
			DRAWING NO C-1734089	REV A1
			SCALE --	SHEET 2 OF 2

LTR	SEE SHEET 1.	ECN	DWN	CHK	DATE
	REVISION RECORD				

8 7 6 5 4 3 2 1

CUSTOMER DRAWING