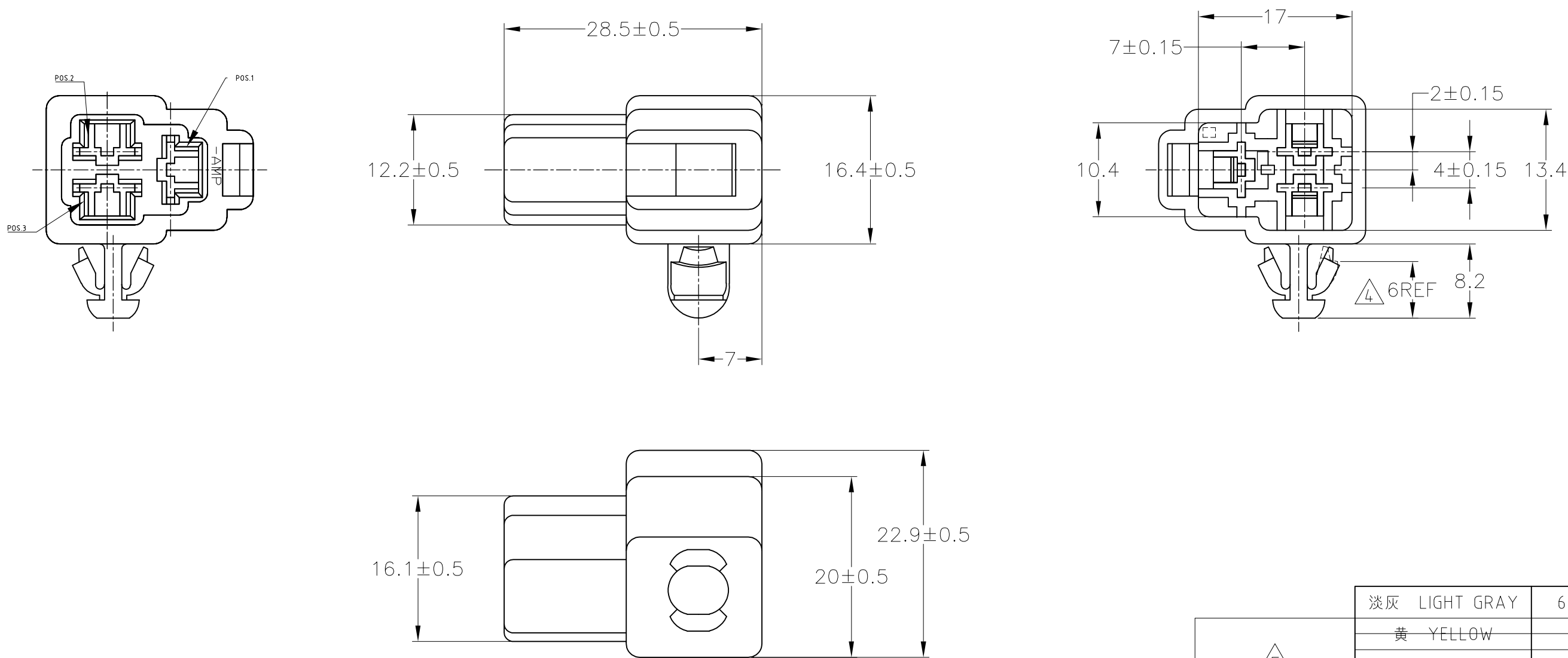


THIS DRAWING IS UNPUBLISHED. RELEASED FOR PUBLICATION  
 © COPYRIGHT BY TYCO ELECTRONICS CORPORATION. ALL RIGHTS RESERVED.

LOC	DIST	REVISIONS					
		P	LTR	DESCRIPTION	DATE	DWN	APVD
J	—	B1	REDRAWN W/CHANGE	ECR-07-030673	19DEC07	TS	KB
		B2	REVISED PER ECO-13-017142		01NOV13	B.P	D.Z



- 1. 嵌合する相手ハウジングは型番 172132
- 2. 適用端子は型番 170340, 170341, 170349
- 3. 適用パネル穴径 7.0mm, 板厚 0.65~1.2mm
- △4 パネルに取付けた時のパネル内側に必要なスペース (参考寸法)

- 1. THE MATING COUNTERPART NUMBER 172132
- 2. APPLIDE CONTACT; PART NUMBER 170340, 170341 AND 170349.
- 3. APPLICABLE PANEL: HOLD DIMENSION 7.0mm  
: THICKNESS 0.65~1.2mm

- △4 A SPACING REQUIRED INSIDE OF THE PANEL FOR MOUNTING PANEL (REFERENCE DIMENSION)
- △5 OBSOLETE PARTS: OBSOLETE CIS STREAMLINING PER D.RENAUD/D.SINISI

一般公差 (GENERAL TOLERANCE)	
10以下	±0.2
10を超え 30以下	±0.25
30を超え 100以下	±0.3
角 度	±3°

THIS DRAWING IS A CONTROLLED DOCUMENT.		DWN T.SHINOHARA 19DEC07	Tyco Electronics Corporation Kawasaki, Japan	
DIMENSIONS: 単位: 耗 mm	TOLERANCES UNLESS OTHERWISE SPECIFIED: 一般公差	CHK K.BETSUI 19DEC07	NAME 名称 B2	
	0 PLC ±-	APVD K.BETSUI 19DEC07	250 SERIES HOUSING LANCE CONNECTOR	
	1 PLC ±-	PRODUCT SPEC 製品規格	3 POSITION CAP HOUSING PANEL MOUNT TYPE	
	2 PLC ±-	APPLICATION SPEC 取付適用規格	SIZE A3	CAGE CODE 00779
	3 PLC ±-	WEIGHT -	DRAWING NO 番号 G-172384	RESTRICTED TO -
MATERIAL 材料 6/6 NYLON	FINISH 仕上 SEE TABLE	CUSTOMER DRAWING		
		SCALE 尺度 2:1	SHEET 1 OF 1	REV B2