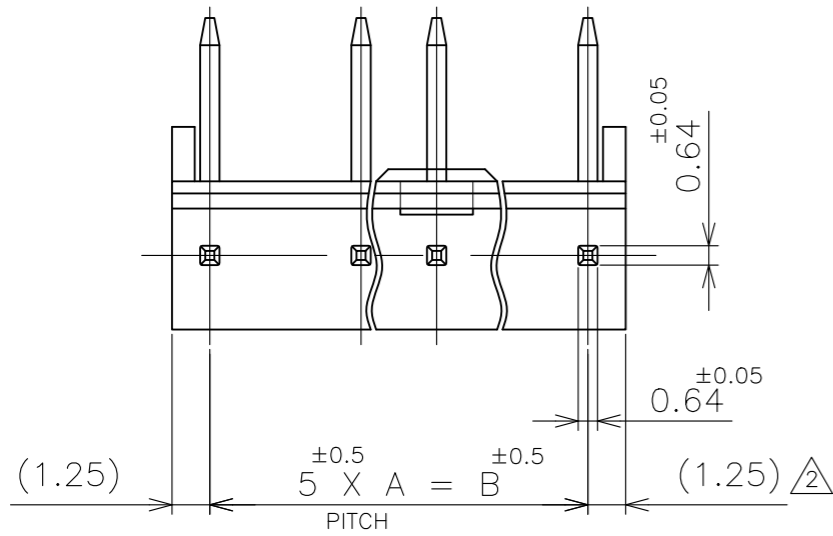


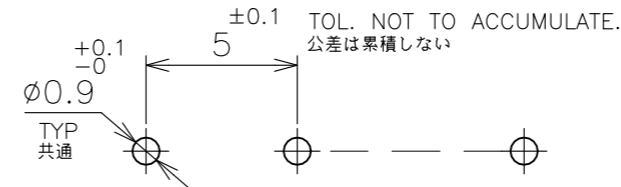
REVISIONS
変更

P	LTR	DESCRIPTION	DATE	DWN	APVD
E1	REVISED	ECR-22-158621	30MAR23	C.K	H.L

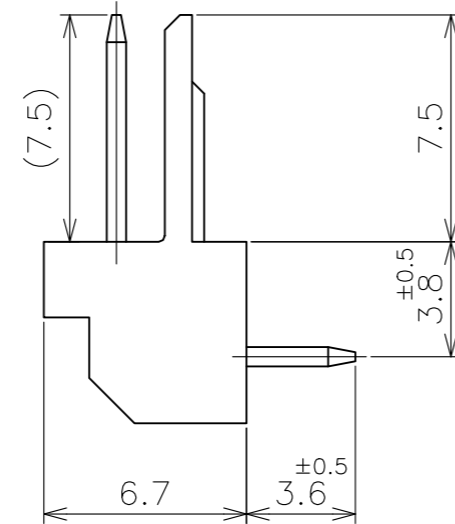
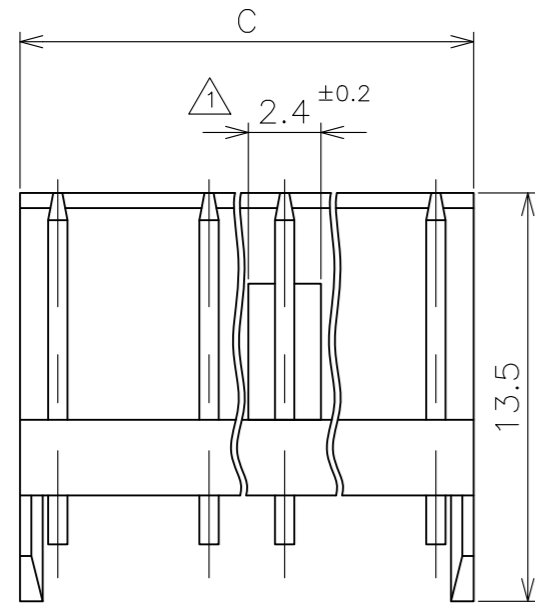


① LOCKING HOLE IS PLACED ON THE CENTER OF POST HEADER.
② 3.75 REF FOR -6 (6 POS) ONLY.

① ロッキング凹部位置は長手方向の中央。
② -6 (6極品) のみ 3.75 参考



RECOMMENDED BOARD LAYOUT (1.6 THK)
取付基板穴寸法(基板厚 1.6t)



OBSOLETE PN:4-172107-2,4-172107-3

30.0	25.0	5	6	4-172107-6	2-172107-6	172107-6
22.5	20.0	4	5	4- ↑ -5	2- ↑ -5	↑ -5
17.5	15.0	3	4	4- -4	2- -4	-4
12.5	10.0	2	3	4- -3	2- -3	-3
7.5	5.0	1	2	4-172107-2	2-172107-2	172107-2
±0.2 C	±0.5 B	A	NO OF POS 極数	BLUE 青色	BLACK 黒色	NATURAL 自然色
				PART NUMBER 型番		

THIS DRAWING IS A CONTROLLED DOCUMENT.		DWN S.TSUKAKOSHI 28MAR79	STE TE Connectivity		
		CHK N.ONOUE 30MAR79			
DIMENSIONS: 単位: 耗 mm		APVD N.ONOUE 30MAR79	NAME 名称		
TOLERANCES UNLESS OTHERWISE SPECIFIED: 一般公差		PRODUCT SPEC 製品規格	5mm PITCH POST HEADER ASSY (HORIZONTAL) AMP EI SERIES CONNECTOR		
0 PLC ± 0.3 1 PLC ± 0.3 2 PLC ± 0.3 3 PLC ± 0.3 4 PLC ± 0.3 ANGLES ±		APPLICATION SPEC 取付適用規格	SIZE A3	CAGE CODE 00779	DRAWING NO 番号 C-172107
MATERIAL 材料 HSG : 66NYLON - UL94V-0 POST: BRASS		FINISH 仕上 POST: -TIN-PLATE	WEIGHT 0.000000	RESTRICTED TO -	
CUSTOMER DRAWING			SCALE 尺度 4:1	SHEET 1 OF 1	REV E1