

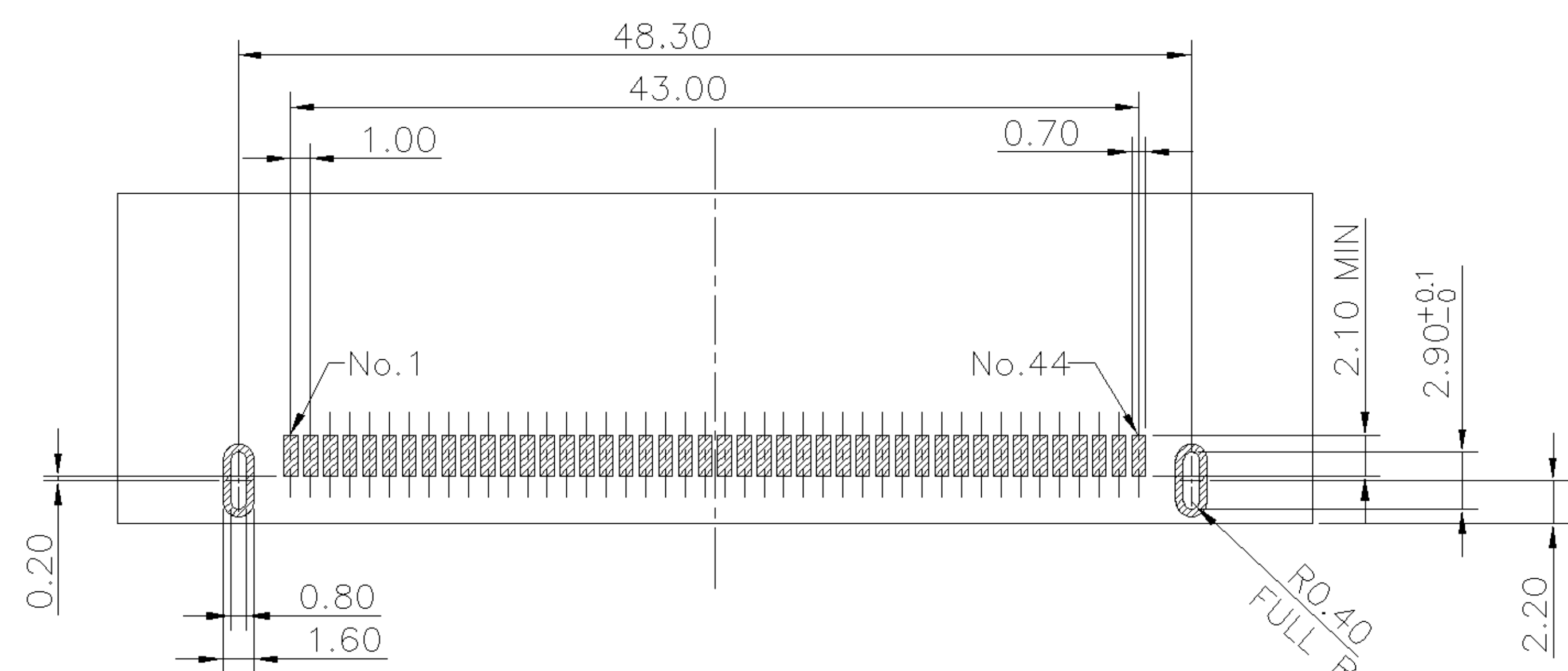
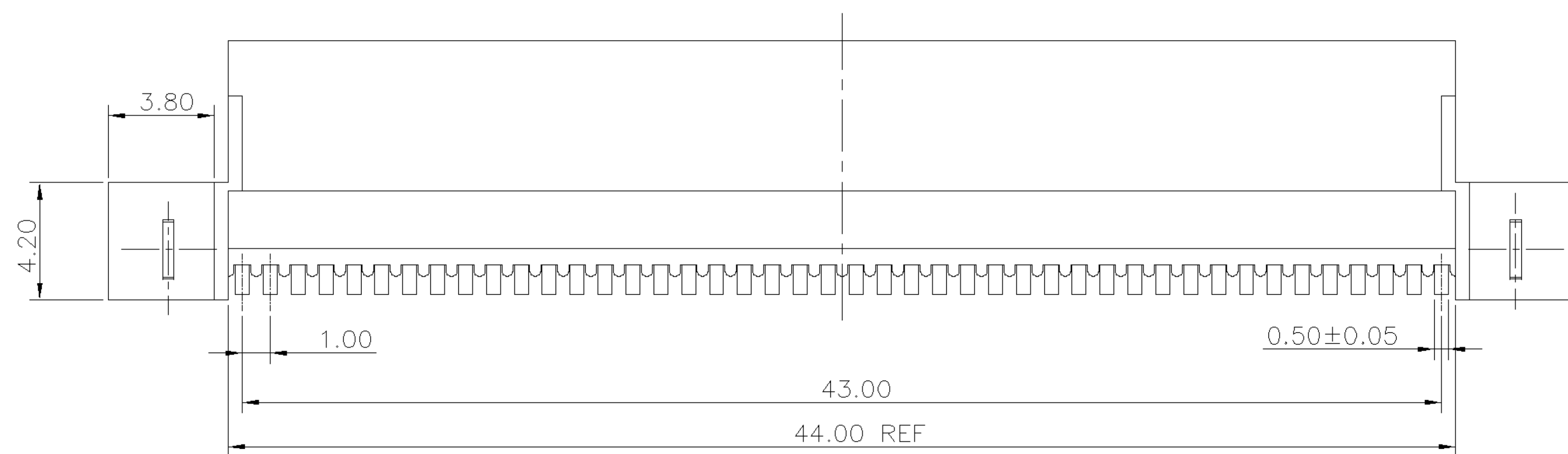
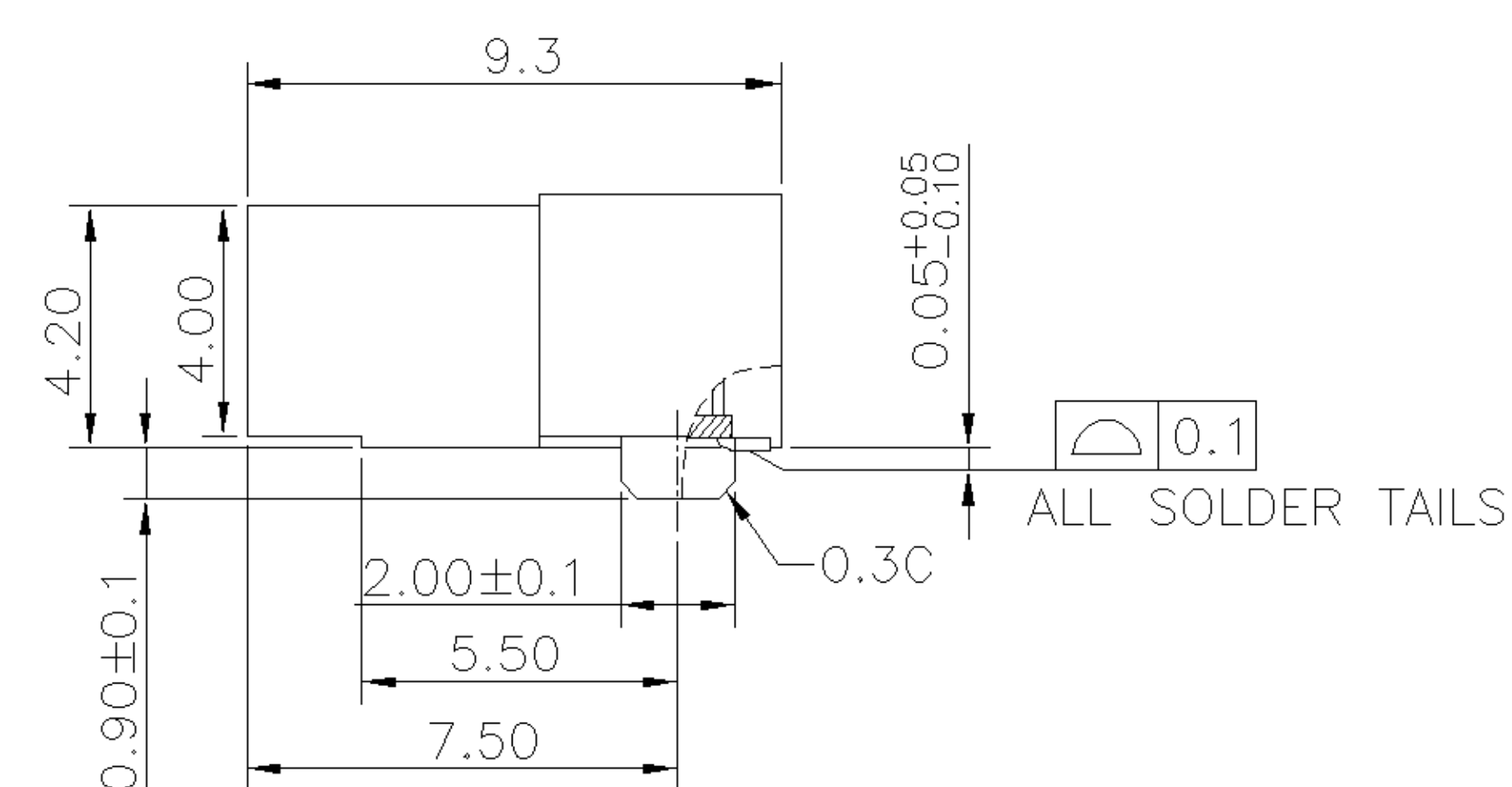
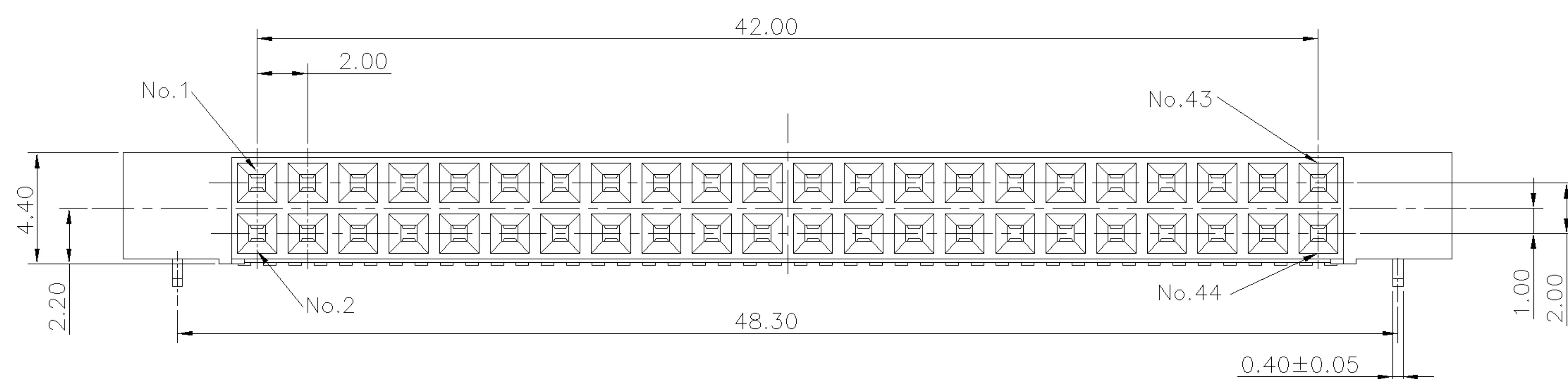
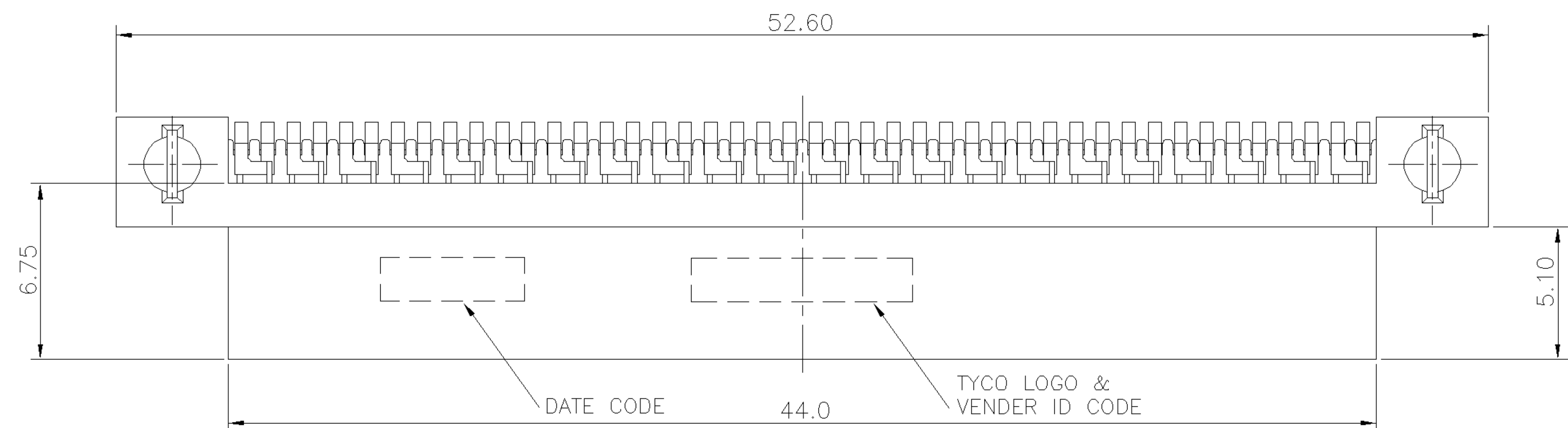
NUMBER  
C-1720810

3RD ANGLE PROJECTION

METRIC

THIS INFORMATION IS CONFIDENTIAL AND IS DISCLOSED TO YOU ON CONDITION THAT NO FURTHER DISCLOSURE IS MADE BY YOU TO OTHER THAN AMP PERSONNEL WITHOUT WRITTEN AUTHORIZATION FROM AMP (TAIWAN) LTD. DIMENSIONS IN MILLIMETERS. DO NOT SCALE PRINT.

PRINT  
DW



RECOMMENDED PCB LAYOUT TOLERANCE=±0.05  
THICKNESS=1.20mm

NOTES:

1. MATERIAL:
  - 1.1 HOUSING: THERMOPLASTIC, HIGH TEMP., UL94V-0; COLOR:COOL GRAY/10U.
  - 1.2 CONTACTS: PHOSPHOR BRONZE
  - 1.3 BOARDLOCK :BRASS
2. FINISH:
  - 2.1 CONTACT:
    - 8μ" MIN.GOLD PLATING ON CONTACT AREA.
    - 80μ" MIN. TIN-LEAD PLATING ON SOLDER TAIL.
    - 50μ" MIN. NICKEL UNDERPLATING OVERALL.
  - 2.2 BOARDLOCK:
    - 80μ" MIN. TIN-LEAD PLATING
    - 50μ" MIN. NICKEL UNDERPLATING OVERALL.

1720810-2  
PART NUMBER

TOLERANCES UNLESS OTHERWISE SPECIFIED: 0 PLC ± 1 PLC ±0.3 2 PLC ±0.2 3 PLC ± ANGLES ±3'		DWN S. HOU 12-APR-2005	 TYCO HOLDINGS (BERMUDA) VII LTD. TAIWAN BRANCH
MATERIAL SEE NOTE		CHK W.J. KE 12-APR-2005	
FINISH SEE NOTE		APVD W.J. KE 12-APR-2005	NAME 2.0 MODU 44P R/A, SMT TYPE, 2.2 HEIGHT
		PRODUCT SPEC 108-57440	LOC SIZE DRAWING NO REV DW A <sub>3</sub> C-1720810 0
		QUALIFICATION TEST REPORT 501-57506	SCALE SHEET -- 1 OF 2
		WEIGHT 2.5 GRAM	

0	FIRST RELEASED	--	SH	12APR
LTR	REVISION RECORD	ECN	DWN	2005
			CHK	DATE

NUMBER C-1720810

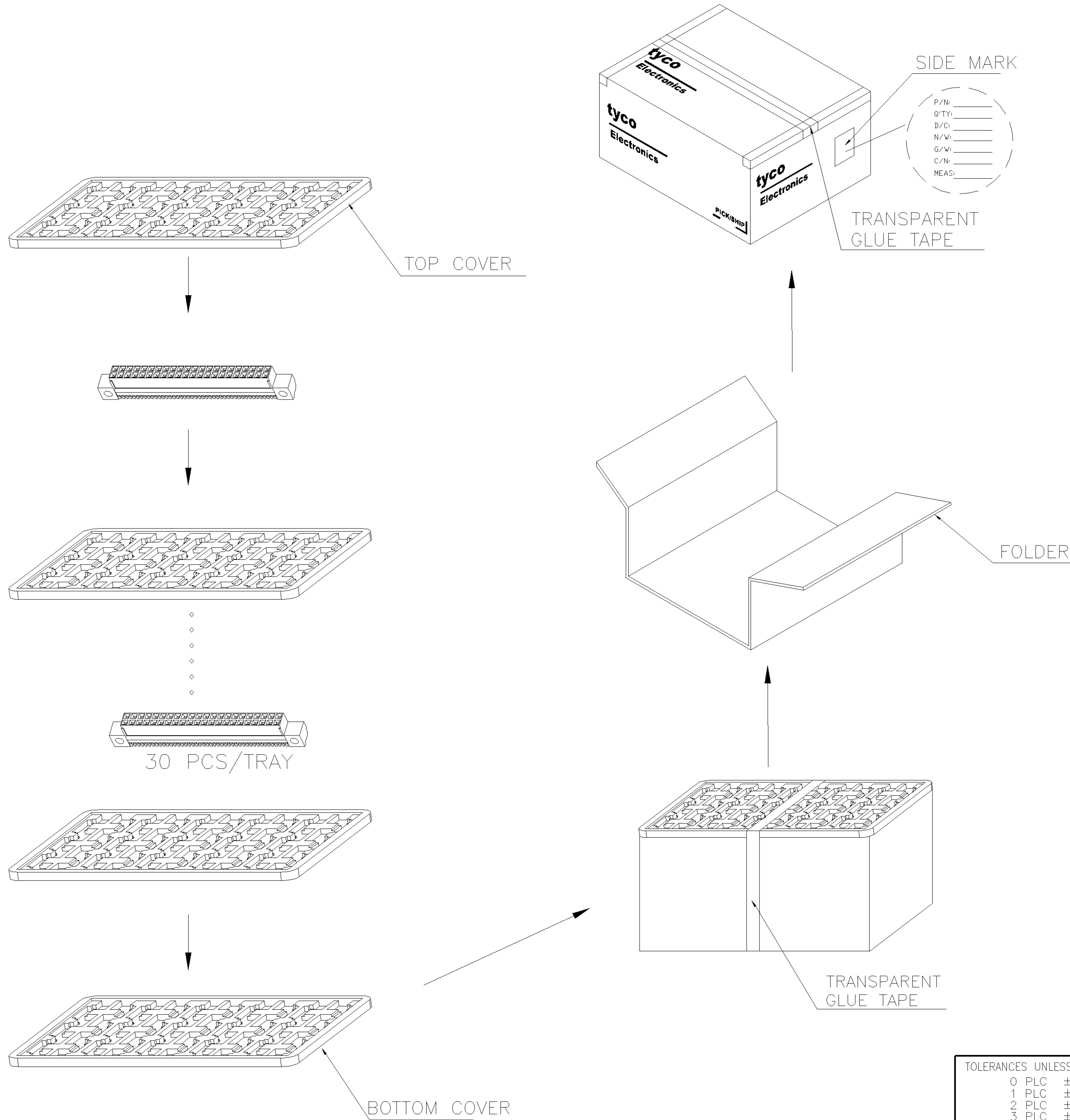
3RD ANGLE PROJECTION

METRIC

THIS INFORMATION IS CONFIDENTIAL AND IS DISCLOSED TO YOU ON CONDITION THAT NO FURTHER DISCLOSURE IS MADE BY YOU TO OTHER THAN AMP PERSONNEL WITHOUT WRITTEN AUTHORIZATION FROM AMP (TAIWAN) LTD. DIMENSIONS IN MILLIMETERS. DO NOT SCALE PRINT.

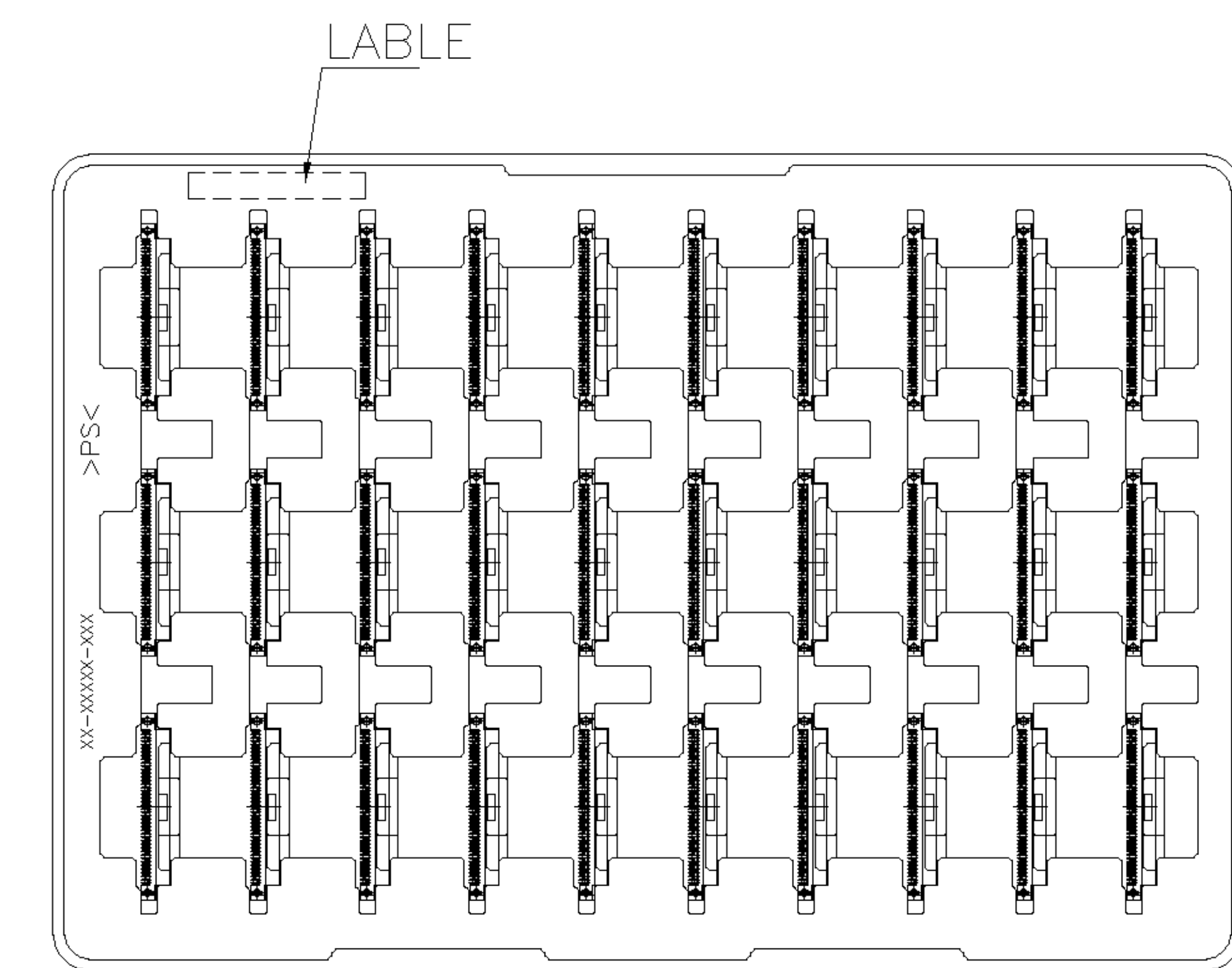
PRINT DIST DW

TOTAL 15 TRAY



NOTES :

1. MATERIAL :
  - 1.1 TRAY : PS
  - 1.2 SHIPPING CARTON : CORRUGATED FIBERBOARD
2. DIMENSION :
  - 2.1 TRAY : L=335,W=230,H=8.9
  - 2.1 SHIPPING CARTON : L=340,W=243,H=133
3. QUANTITY :
  - 3.1 PRIMARY PACKING: 30 PCS/TRAY
  - 3.2 SECONARY PACKING: 15 TRAY/CARTON(450PCS)
4. WEIGHT :
  - 4.1 NET WEIGHT : 1.125Kg
  - 4.2 GROSS WEIGHT : 2.5Kg



TRAY LAYOUT

TOLERANCES UNLESS OTHERWISE SPECIFIED: 0 PLC ± 1 PLC ±0.3 2 PLC ±0.2 3 PLC ± ANGLES ±3'		DWN S. HOU 12-APR-2005	<b>tyco</b> TYCO HOLDINGS (BERMUDA) <b>Electronics</b> VII LTD. TAIWAN BRANCH	
MATERIAL SEE NOTE		CHK W.J. KE 12-APR-2005	NAME 2.0 MODU 44P R/A, SMT TYPE, 2.2 HEIGHT	
FINISH SEE NOTE		APVD W.J. KE 12-APR-2005	LOC DW	SIZE A <sub>3</sub>
		QUALIFICATION TEST REPOERT ---	DRAWING NO C-1720810	REV 0
		WEIGHT ---	SCALE ---	SHEET 2 OF 2

	SEE SHEET 1			
LTR	REVISION RECORD	ECN	DWN CHK	DATE