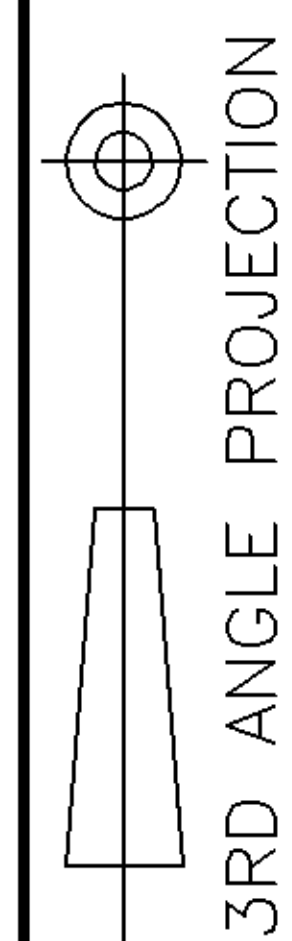


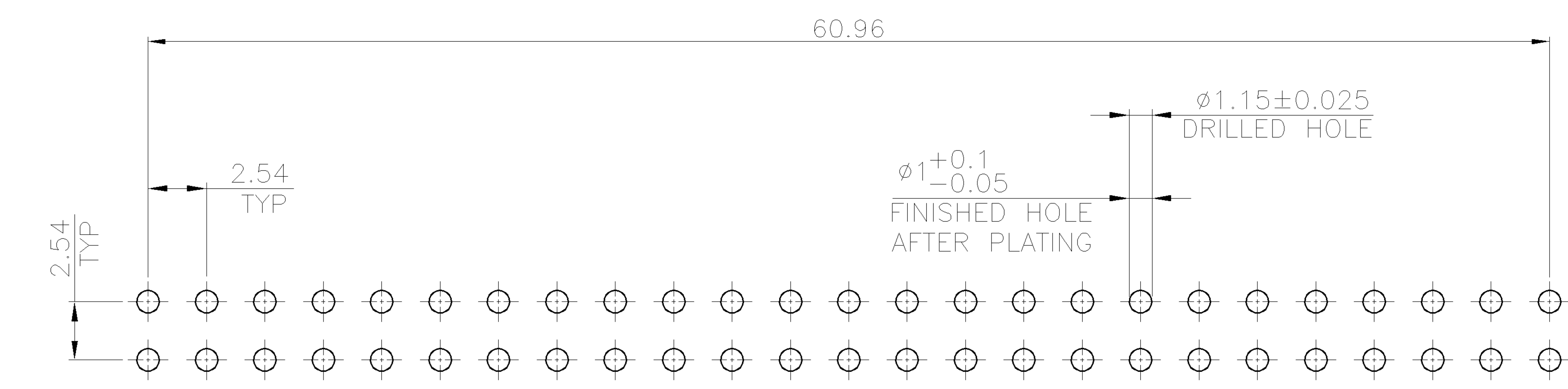
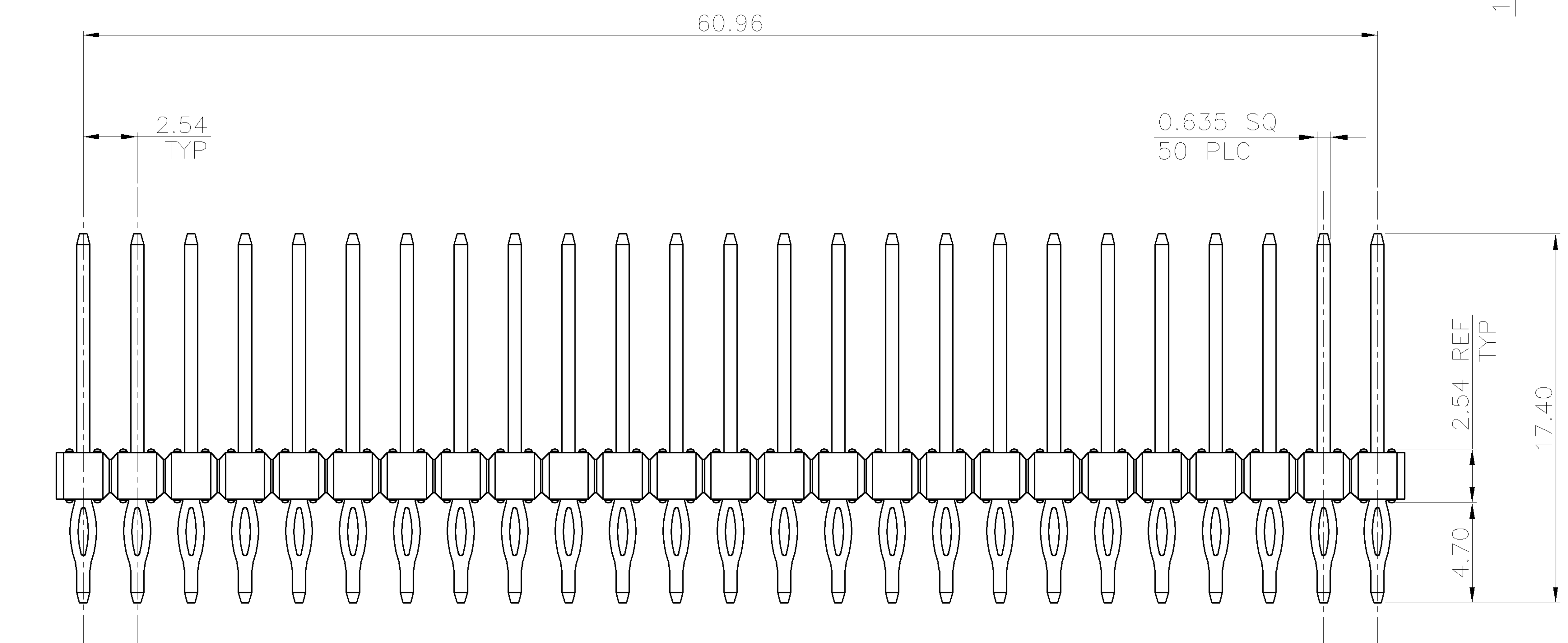
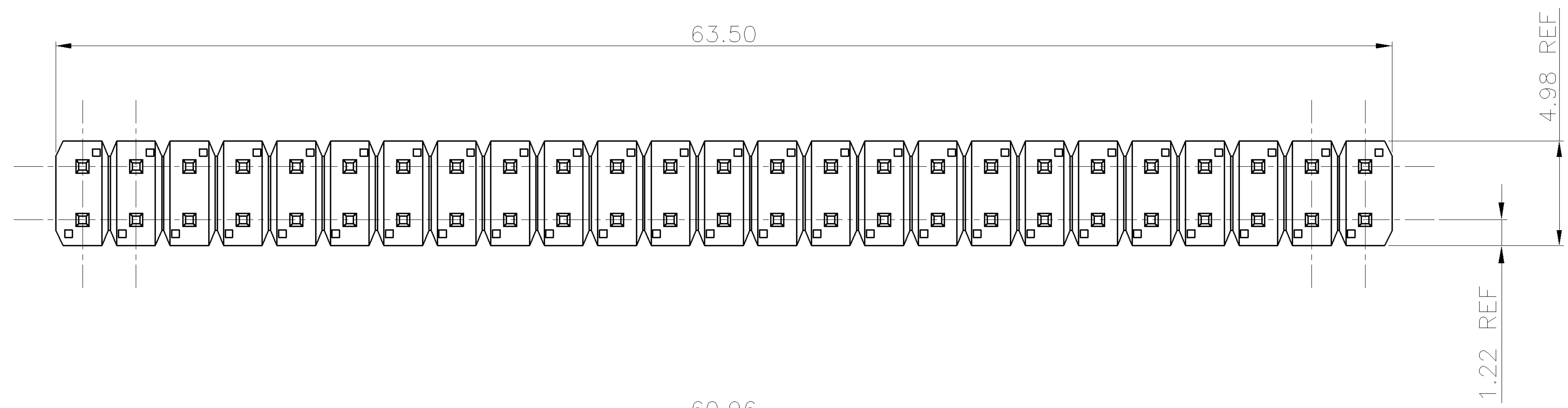
NUMBER
C-1720054



METRIC

THIS INFORMATION IS CONFIDENTIAL AND IS DISCLOSED TO YOU ON CONDITION THAT NO FURTHER DISCLOSURE IS MADE BY YOU TO OTHER THAN AMP PERSONNEL WITHOUT WRITTEN AUTHORIZATION FROM AMP (TAIWAN) LTD. DIMENSIONS IN MILLIMETERS. DO NOT SCALE PRINT.

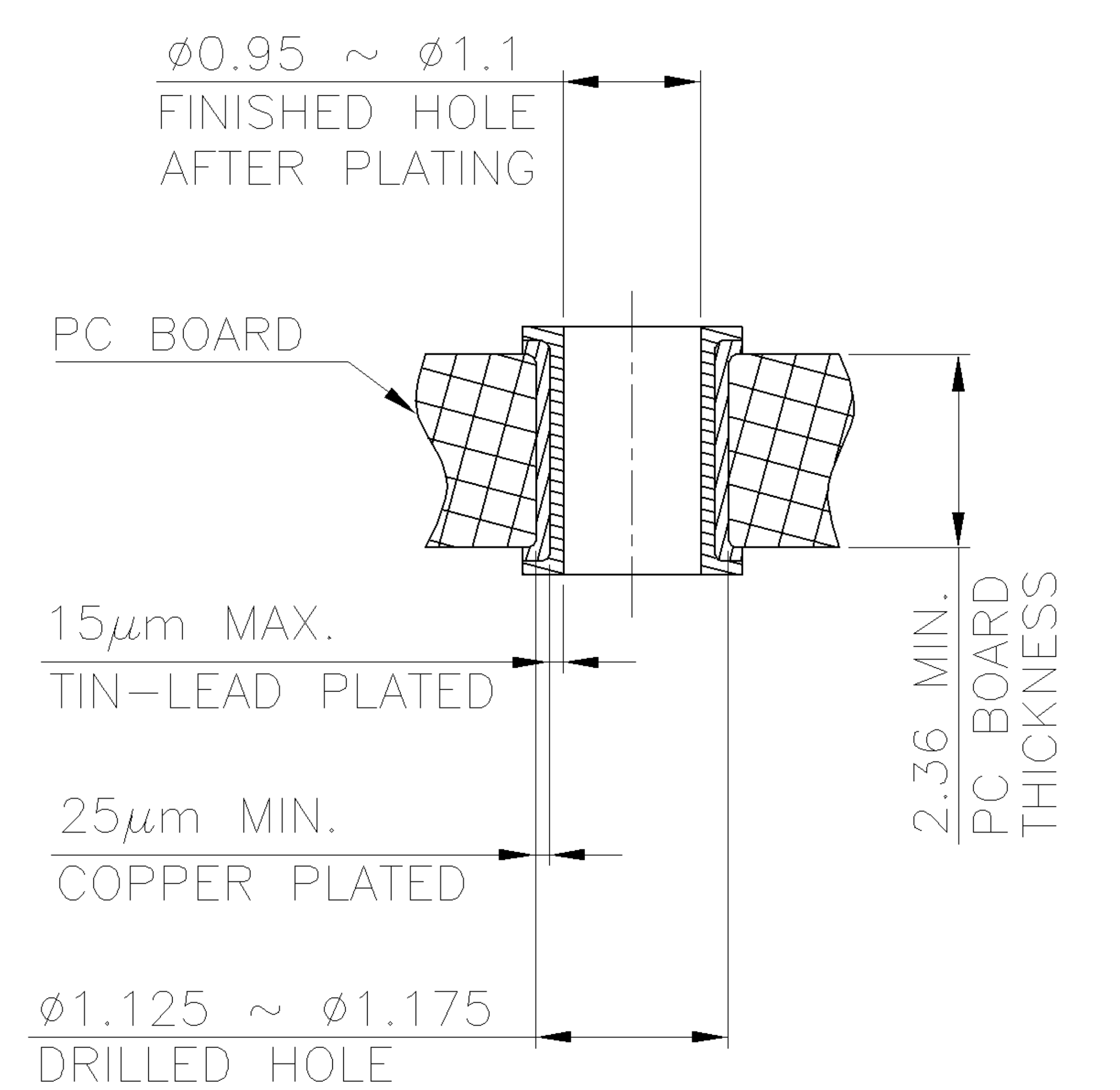
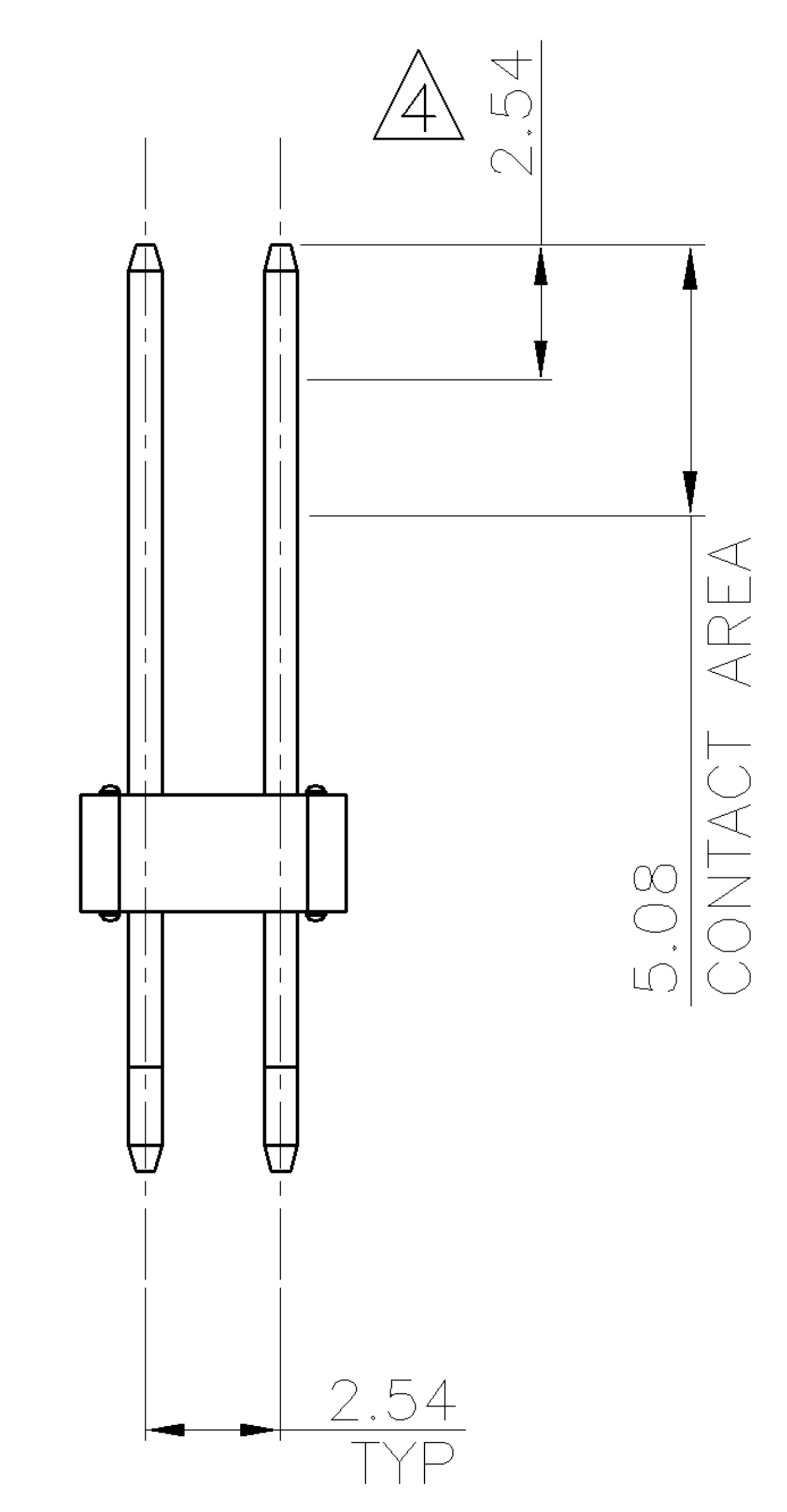
PRINT DIST
DW



PC BOARD THICKNESS: 2.36mm MIN.
RECOMMENDED HOLE LAYOUT

NOTE:

- MATERIAL:
HOUSING: THERMOPLASTIC WITH 33% GF, UL 94V-0, BLACK COLOR.
POSTS: PHOSPHOR BRONZE.
- FINISH:
POSTS: 30μ" MIN. GOLD ON CONTACT AREA, 120μ" MIN. TIN-LEAD ON PRESS-FIT TAIL, WITH ENTIRE POST UNDERPLATED 50μ" MIN. NICKEL.
- NO TYCO LOGO & DATE CODE.
- POINT OF MEASUREMENT FOR PLATING THICKNESS.
- NON-SOLDERED PART.



CONTACT HOLE CONFIGURATION

3.827g	50	1720054-1
WEIGHT	NO. OF POSTS	PART NUMBER

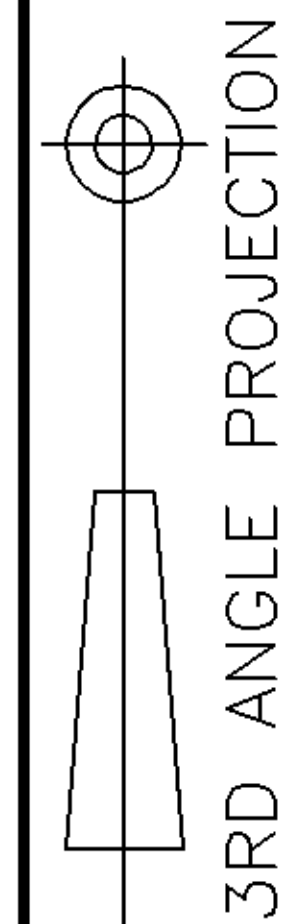
TOLERANCES UNLESS OTHERWISE SPECIFIED: 0 PLC ±0.5 1 PLC ±0.38 2 PLC ±0.25 3 PLC ±0.15 ANGLES ±5°		DWN A. WU 27-FEB-2006	tyco TYCO HOLDINGS (BERMUDA) Electronics VII LTD. TAIWAN BRANCH	
MATERIAL SEE NOTE		CHK S. HOU 27-FEB-2006	NAME	
FINISH SEE NOTE		APVD W.J. KE 27-FEB-2006	PIN ASSEMBLY, 2.54 MM PITCH, DOUBLE ROW, PRESS-FIT TAIL	
		PRODUCT SPEC 108-57587	LOC DW	SIZE A ₃
		QUALIFICATION TEST REPORT 501-57684	DRAWING NO C-1720054	REV A
		WEIGHT SEE TABLE	SCALE --	SHEET 1 OF 2

A	CORRECTION	ECR-06-004719	AW SH	27FEB 2006
O	FIRST RELEASED	--	AW SH	08NOV 2005
LTR	REVISION RECORD	ECN	DWN CHK	DATE

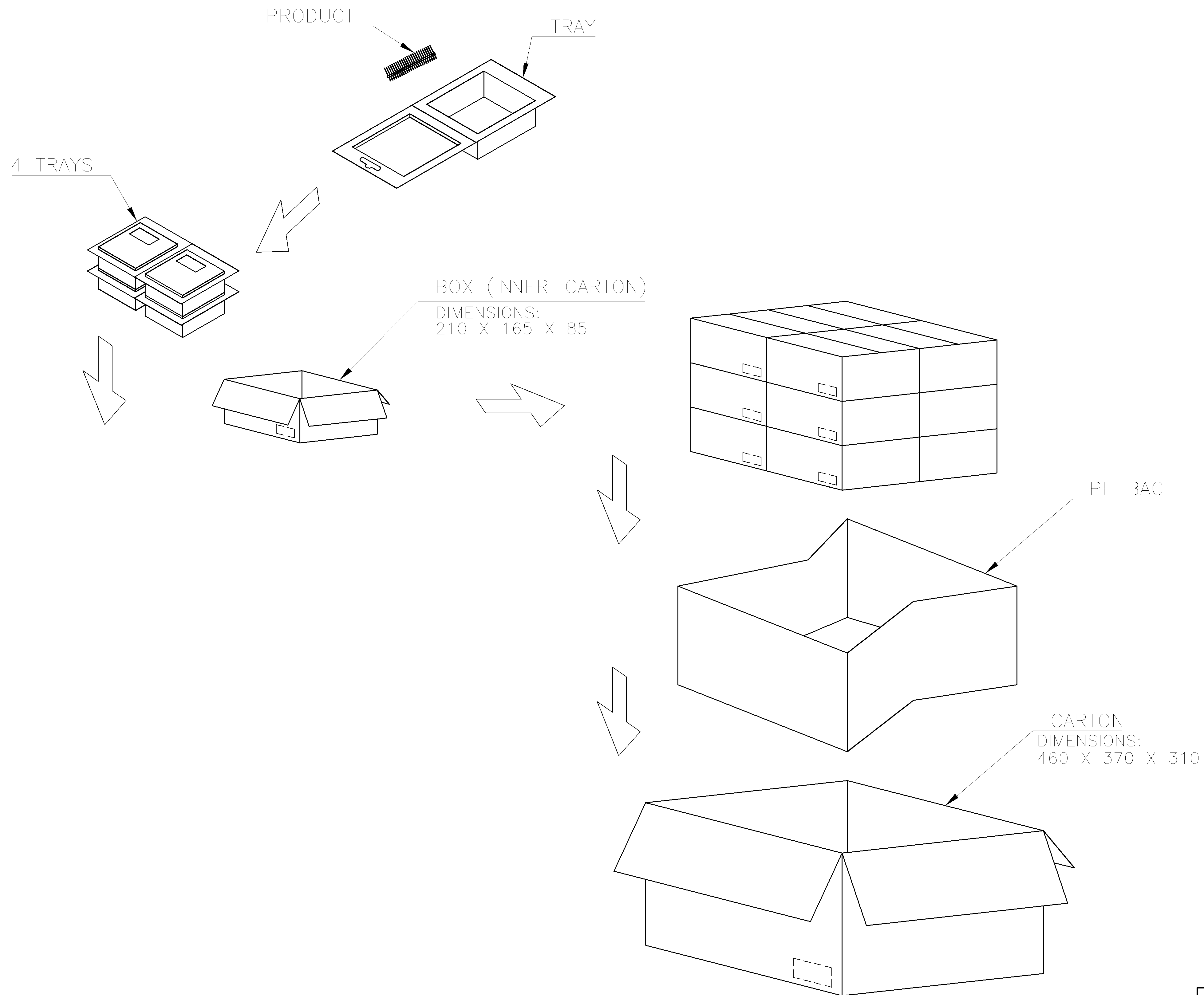
THIS INFORMATION IS CONFIDENTIAL AND IS DISCLOSED TO YOU ON CONDITION THAT NO FURTHER DISCLOSURE IS MADE BY YOU TO OTHER THAN AMP PERSONNEL WITHOUT WRITTEN AUTHORIZATION FROM AMP (TAIWAN) LTD. DIMENSIONS IN MILLIMETERS. DO NOT SCALE PRINT.

PRINT DIST
DW

METRIC



NUMBER
C-1720054



50	4	12	2400	13.70	12.36	50
PCS/ TRAY	TRAYS BOX	BOXS/ CARTON	QUANTITY	G/W (KG)	N/W (KG)	NO. OF POSTS

TOLERANCES UNLESS OTHERWISE SPECIFIED: 0 PLC ±- 1 PLC ±- 2 PLC ±- 3 PLC ±- ANGLES ±-	DWN	A. WU 27-FEB-2006	tyco TYCO HOLDINGS (BERMUDA) Electronics VII LTD. TAIWAN BRANCH			
	CHK	S. HOU 27-FEB-2006				
MATERIAL -	APVD	W.J. KE 27-FEB-2006	NAME PIN ASSEMBLY, 2.54 MM PITCH, DOUBLE ROW, PRESS-FIT TAIL			
	PRODUCT SPEC	-	LOC SIZE DRAWING NO REV DW A ₃ C-1720054 A			
FINISH -	QUALIFICATION TEST REPORT	-	SCALE		SHEET	
	WEIGHT	-	--		2 OF 2	

SEE SHEET 1.	ECN	DWN	CHK	DATE
LTR	REVISION RECORD			