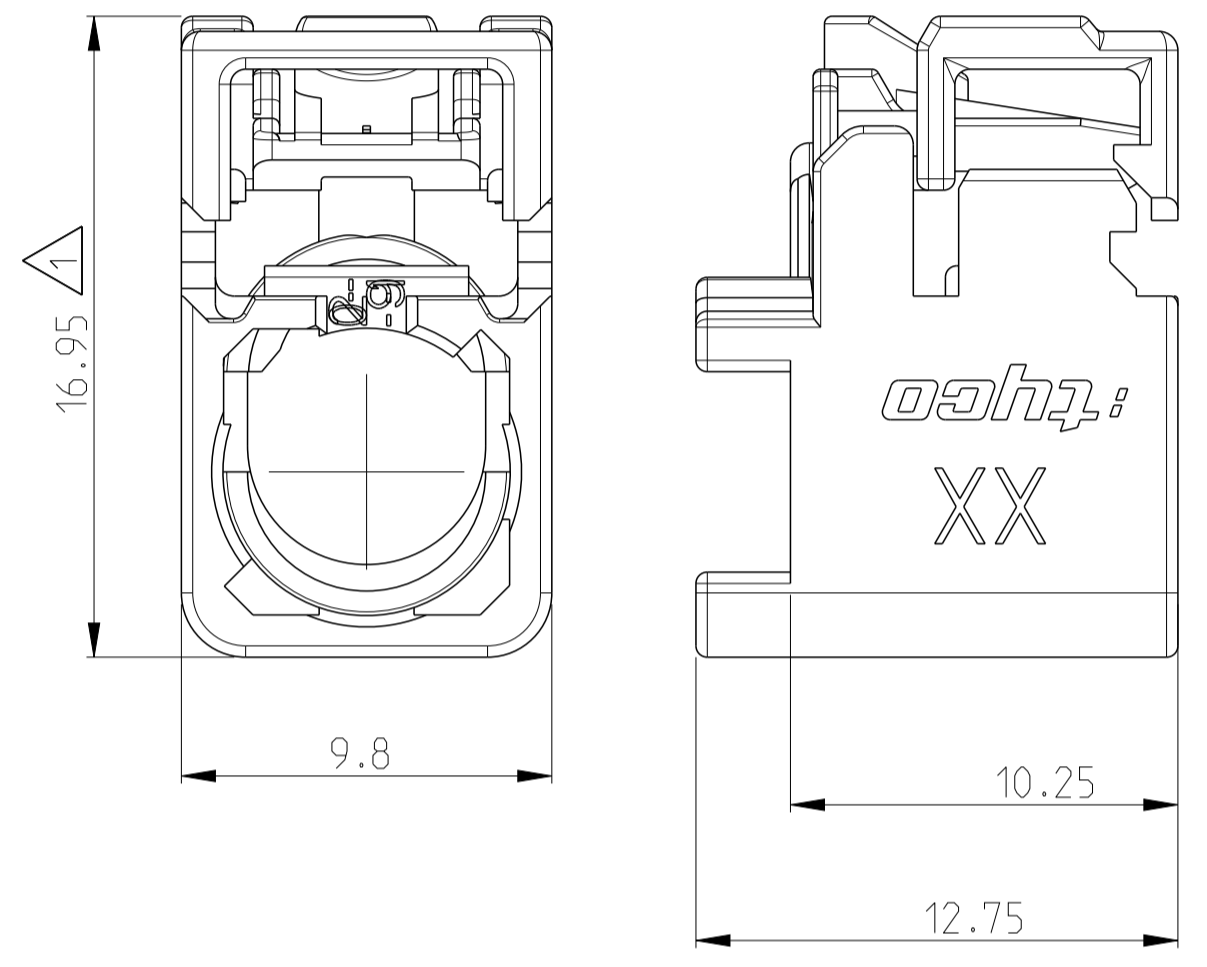
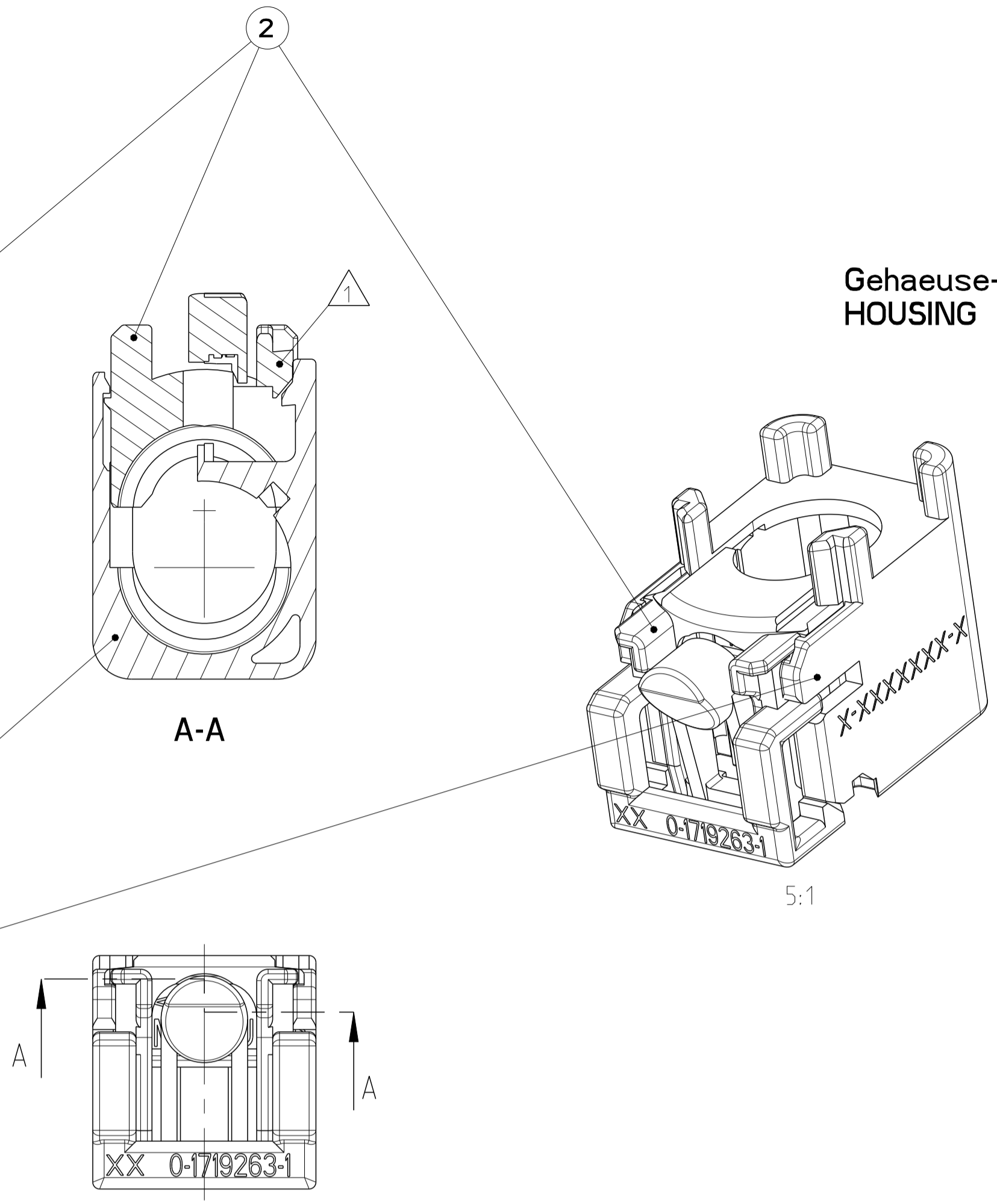
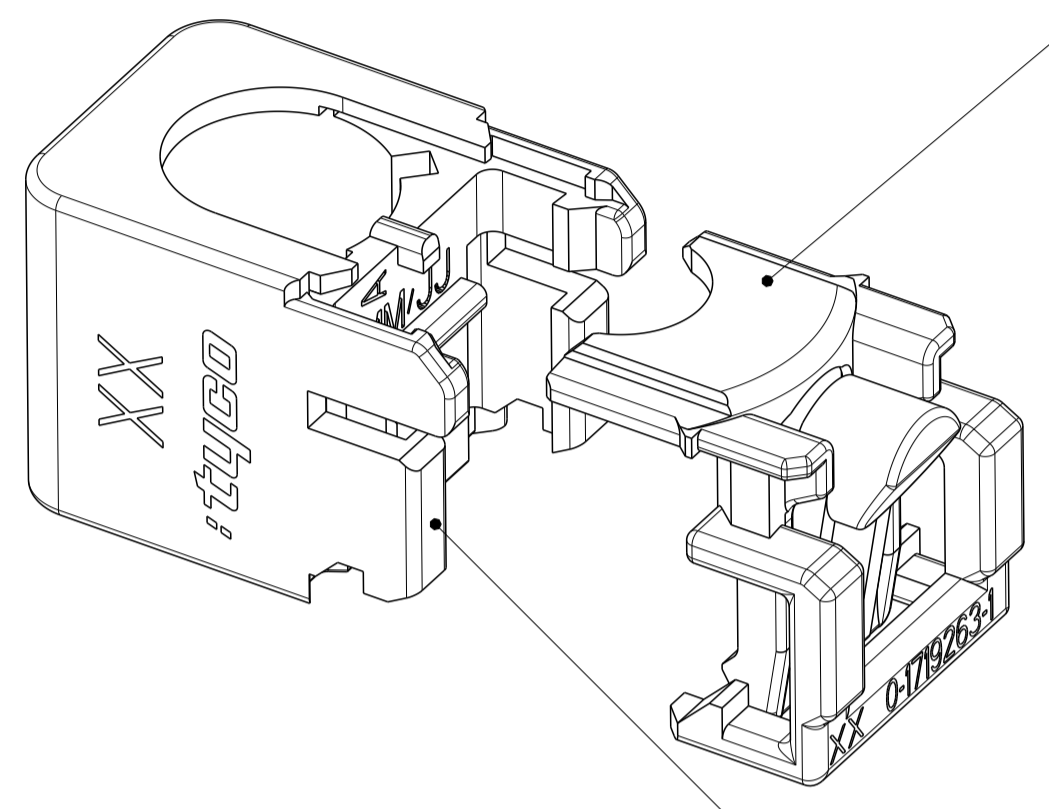
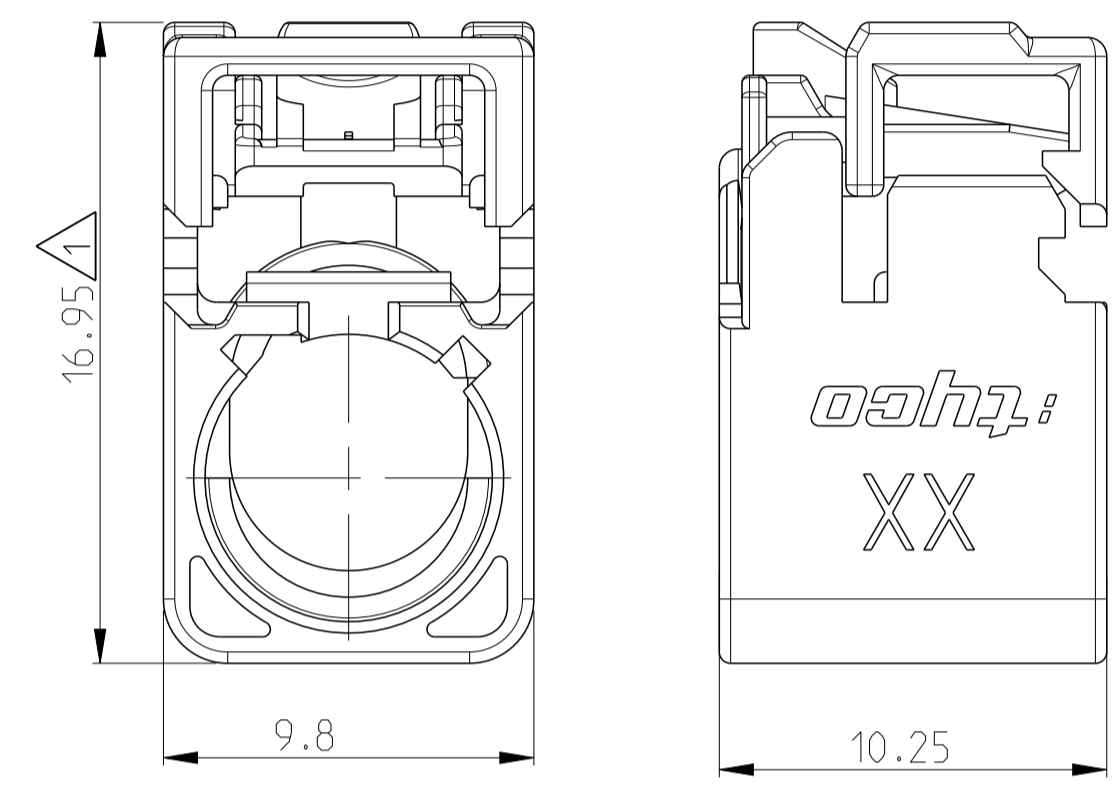


REVISIONS				
P.	LTH	DESCRIPTION	DATE	OWN APVD
C2	E-15-014092		24SEP2015	SN UG
C3	E-16-002435		22FEB2016	SN UG

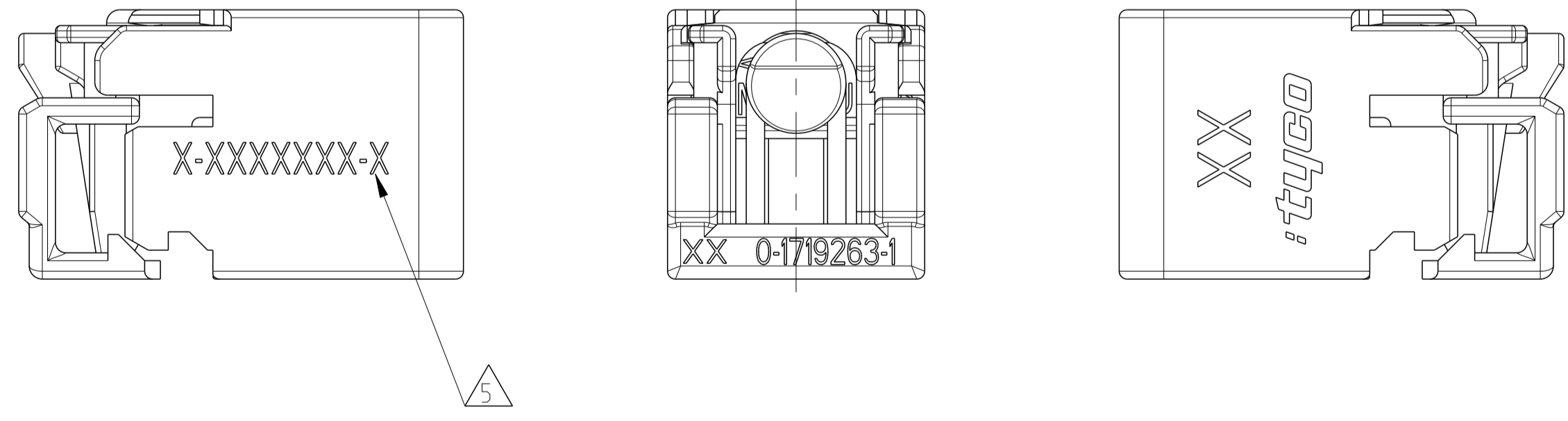
Gehaeuse-Variante fuer freidrehbaren Kontakt
 HOUSING VERSION FOR FREE TURNABLE CONTACT

Gehaeuse-Variante fuer 3 feste Pos. des Kabelabganges
 HOUSING VERSION FOR 3 FIXED POS. OF THE CABLE OUTLET



		Kontaktverrastgehäuse CONTACT LOCKING HSG		2	natural					
C3	3-1719261-4	N	C	1	1pol. Steckergehäuse 1WAY PLUG HOUSING	1z	pastel green/6019	1	1-1452581-4	Gehäuse-Variante fuer 3 feste Pos. des Kabelabganges HOUSING VERSION FOR 3 FIXED POS. OF THE CABLE OUTLET
	3-1719261-3	M	C	1	1pol. Steckergehäuse 1WAY PLUG HOUSING	1n	pastel orange/2003	1	1-1452581-3	
C3	3-1719261-2	L	C	1	1pol. Steckergehäuse 1WAY PLUG HOUSING	1m	carmine red/3002	1	1-1452581-2	
	3-1719261-1	Z	C	1	1pol. Steckergehäuse 1WAY PLUG HOUSING	1l	water blue/5021	1	1-1452581-1	
	3-1719261-0	K	C	1	1pol. Steckergehäuse 1WAY PLUG HOUSING	1k	curry/1027	1	1-1452581-0	
	2-1719261-9	I	C	1	1pol. Steckergehäuse 1WAY PLUG HOUSING	1i	beige/1001	1	0-1452581-9	
	2-1719261-8	H	C	1	1pol. Steckergehäuse 1WAY PLUG HOUSING	1h	violett/4003	1	0-1452581-8	
	2-1719261-7	G	C	1	1pol. Steckergehäuse 1WAY PLUG HOUSING	1g	blue grey/7031	1	0-1452581-7	
	2-1719261-6	F	C	1	1pol. Steckergehäuse 1WAY PLUG HOUSING	1f	brown/8011	1	0-1452581-6	
	2-1719261-5	E	C	1	1pol. Steckergehäuse 1WAY PLUG HOUSING	1e	green/6002	1	0-1452581-5	
	2-1719261-4	D	C	1	1pol. Steckergehäuse 1WAY PLUG HOUSING	1d	claret violett/4004	1	0-1452581-4	
	2-1719261-3	C	C	1	1pol. Steckergehäuse 1WAY PLUG HOUSING	1c	blue/5005	1	0-1452581-3	
	2-1719261-2	B	C	1	1pol. Steckergehäuse 1WAY PLUG HOUSING	1b	cream/9001	1	0-1452581-2	
	2-1719261-1	A	C	1	1pol. Steckergehäuse 1WAY PLUG HOUSING	1a	black/9005	1	0-1452581-1	
C3	1-1719261-4	N	C	1	1pol. Steckergehäuse 1WAY PLUG HOUSING	1z	pastel green/6019	1	1-1452581-4	Gehäuse-Variante fuer freidrehbaren Kontakt HOUSING VERSION FOR FREE TURNABLE CONTACT
	1-1719261-3	M	C	1	1pol. Steckergehäuse 1WAY PLUG HOUSING	1n	pastel orange/2003	1	1-1452581-3	
	1-1719261-2	L	C	1	1pol. Steckergehäuse 1WAY PLUG HOUSING	1m	carmine red/3002	1	1-1452581-2	
	1-1719261-1	Z	C	1	1pol. Steckergehäuse 1WAY PLUG HOUSING	1l	water blue/5021	1	1-1452581-1	
	1-1719261-0	K	C	1	1pol. Steckergehäuse 1WAY PLUG HOUSING	1k	curry/1027	1	1-1452581-0	
	0-1719261-9	I	C	1	1pol. Steckergehäuse 1WAY PLUG HOUSING	1i	beige/1001	1	0-1452581-9	
	0-1719261-8	H	C	1	1pol. Steckergehäuse 1WAY PLUG HOUSING	1h	violett/4003	1	0-1452581-8	
	0-1719261-7	G	C	1	1pol. Steckergehäuse 1WAY PLUG HOUSING	1g	blue grey/7031	1	0-1452581-7	
	0-1719261-6	F	C	1	1pol. Steckergehäuse 1WAY PLUG HOUSING	1f	brown/8011	1	0-1452581-6	
	0-1719261-5	E	C	1	1pol. Steckergehäuse 1WAY PLUG HOUSING	1e	green/6002	1	0-1452581-5	
	0-1719261-4	D	C	1	1pol. Steckergehäuse 1WAY PLUG HOUSING	1d	claret violett/4004	1	0-1452581-4	
	0-1719261-3	C	C	1	1pol. Steckergehäuse 1WAY PLUG HOUSING	1c	blue/5005	1	0-1452581-3	
	0-1719261-2	B	C	1	1pol. Steckergehäuse 1WAY PLUG HOUSING	1b	cream/9001	1	0-1452581-2	
	0-1719261-1	A	C	1	1pol. Steckergehäuse 1WAY PLUG HOUSING	1a	black/9005	1	0-1452581-1	
TE ASSY PN GENERAL	KEY CODING	REV	QTY PER ASSY	DESCRIPTION COMPONENT	ITEM NO	COLOUR SIMILAR TO	QTY PER ASSY	SUITABLE FOR		

DARSTELLUNG, VARIANTE FÜR FREI DREHBAREN KONTAKT
 VERSION FREE TURNABLE TERMINAL, AS SHOWN



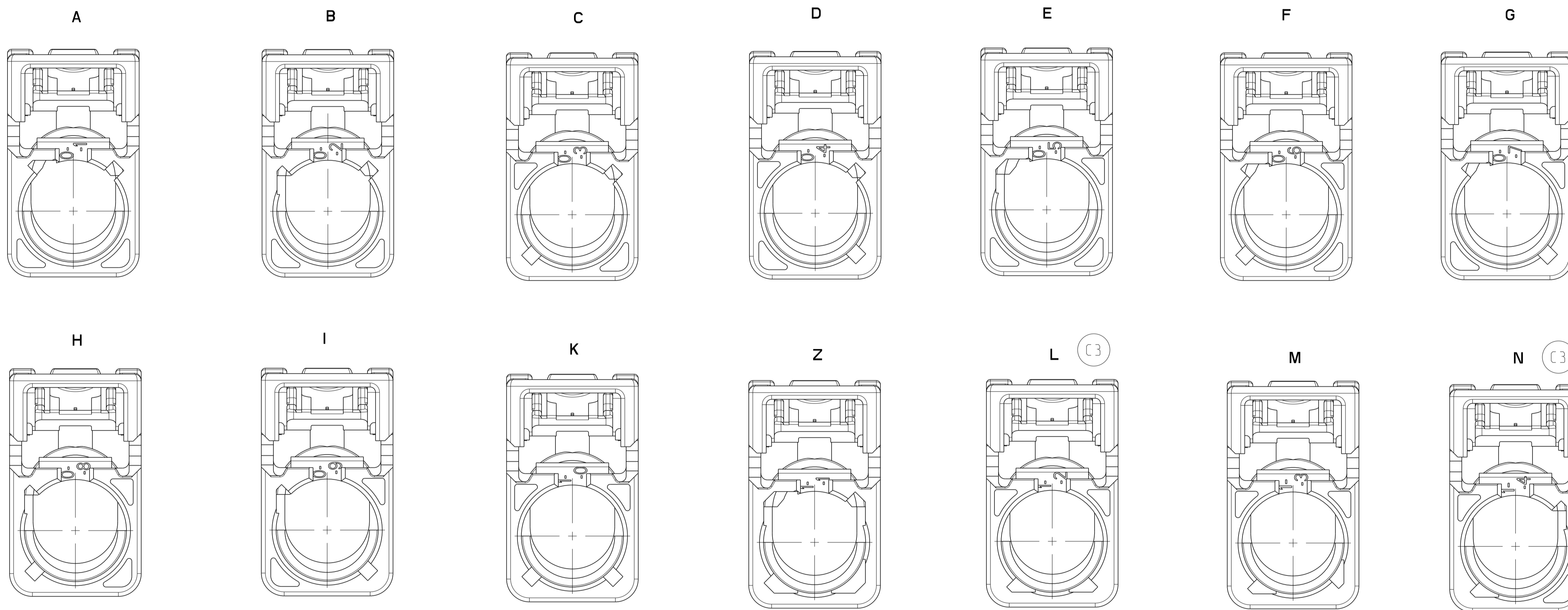
- NOTES
 BEMERKUNGEN
- AUSLIEFERUNG ZUSTAND: KONTAKTVERRASTGEHÄUSE IN VORRSTELLUNG
 DELIVERY CONDITION: CONTACT LOCKING HOUSING IN PRE-SET POSITION
 - BULK PACKAGED
 VERPACKT ALS SCHUETTGTG
 - KODIERUNG A, VARIANTE "FREI DREHBARER KONTAKT" UND VARIANTE "3 FESTE POS. DES KABELABGANGES", WIE GEZEICHNET
 KEY CODING A, VERSION "FREE TURNABLE TERMINAL" AND VERSION "3 FIXED POSITIONS OF THE CABLE OUTLET", AS SHOWN
 - FÜR ALLE ANDEREN KODIERUNGEN SIEHE BLATT 2
 FOR ALL OTHER KEY CODINGS SEE PAGE 2
 - TE ASSY TEILE NR. ALLGEMEIN, SH. TABELLE
 TE ASSY PART NO. GENERAL, SEE TABLE
 - IM GESTECKTEN ZUSTAND SOLLTEN DIE ELEKTRISCHEN UND MECHANISCHEN ANFORDERUNGEN NACH FAKRA UND IEC 169-10 ERFÜLLT WERDEN.
 THE CONNECTION HAS TO FULFILL THE MECHANICAL AND ELECTRICAL REQUIREMENTS OF FAKRA AND IEC 169-10.
 - PASSENDE CONTACT KIDS: TE PN 0-1719252-1 / 0-1719655-1
 APPLICABLE CONTACT KIDS: TE PN 0-1719252-1 / 0-1719655-1

THIS DRAWING IS A CONTROLLED DOCUMENT.		OWN C. FEINWEBER	23JAN2006	TE Connectivity PLUG HSG ASSY, 1WAY, 90 DEG. FAKRA2 STECKERGEH. (BUCHSE) ZUSAMMENBAU, 1POL, 90 GRAD.COAX FAKRA2
DIMENSIONS: mm		CHK H. RIPPER	23JAN2006	
TOLERANCES UNLESS OTHERWISE SPECIFIED:		APVD	NAME	RESTRICTED TO
0 PLC ±0.5 1 PLC ±0.5 2 PLC ±0.5 4 PLC ±0.5 ANGLES ±1°		PRODUCT SPEC	SIZE	SCALE
MATERIAL S.TAB		APPLICATION SPEC	WEIGHT	SHEET 1 OF 2
FINISH		CUSTOMER DRAWING	REV. C	

REVISIONS				
P.	LTN	DESCRIPTION	DATE	APVD
-		SEE SHEET 1	-	-

KODIERUNGEN
CODINGS

DARGESTELLT IST DIE GEHÄUSE-VARIANTE FÜR FREIDREHBAREN KONTAKT
HOUSING VERSION FOR FREE TURNABLE TERMINAL AS SHOWN



THIS DRAWING IS A CONTROLLED DOCUMENT.		DWN: C. FEINWEBER 23JAN2006 CHK: H. RIPPER 23JAN2006 APVD: -	
DIMENSIONS: mm	TOLERANCES UNLESS OTHERWISE SPECIFIED: 0 PLC ±0.5 1 PLC ±0.5 2 PLC ±0.5 3 PLC ± 4 PLC ± ANGLES ±° FINISH	NAME: PLUG HSG ASSY, 1WAY, 90 DEG. FAKRA2 PRODUCT SPEC: STECKERGEH. (BUCHSE) ZUSAMMENBAU, 1POL, 90 GRAD.COAX FAKRA2 APPLICATION SPEC:	SIZE: A1 CAGE CODE: 00779 DRAWING NO: C=1719261 RESTRICTED TO: -
MATERIAL: S.TAB FINISH: -	WEIGHT: - CUSTOMER DRAWING:	SCALE: 5:1 SHEET: 2 OF 2 REV: C3	