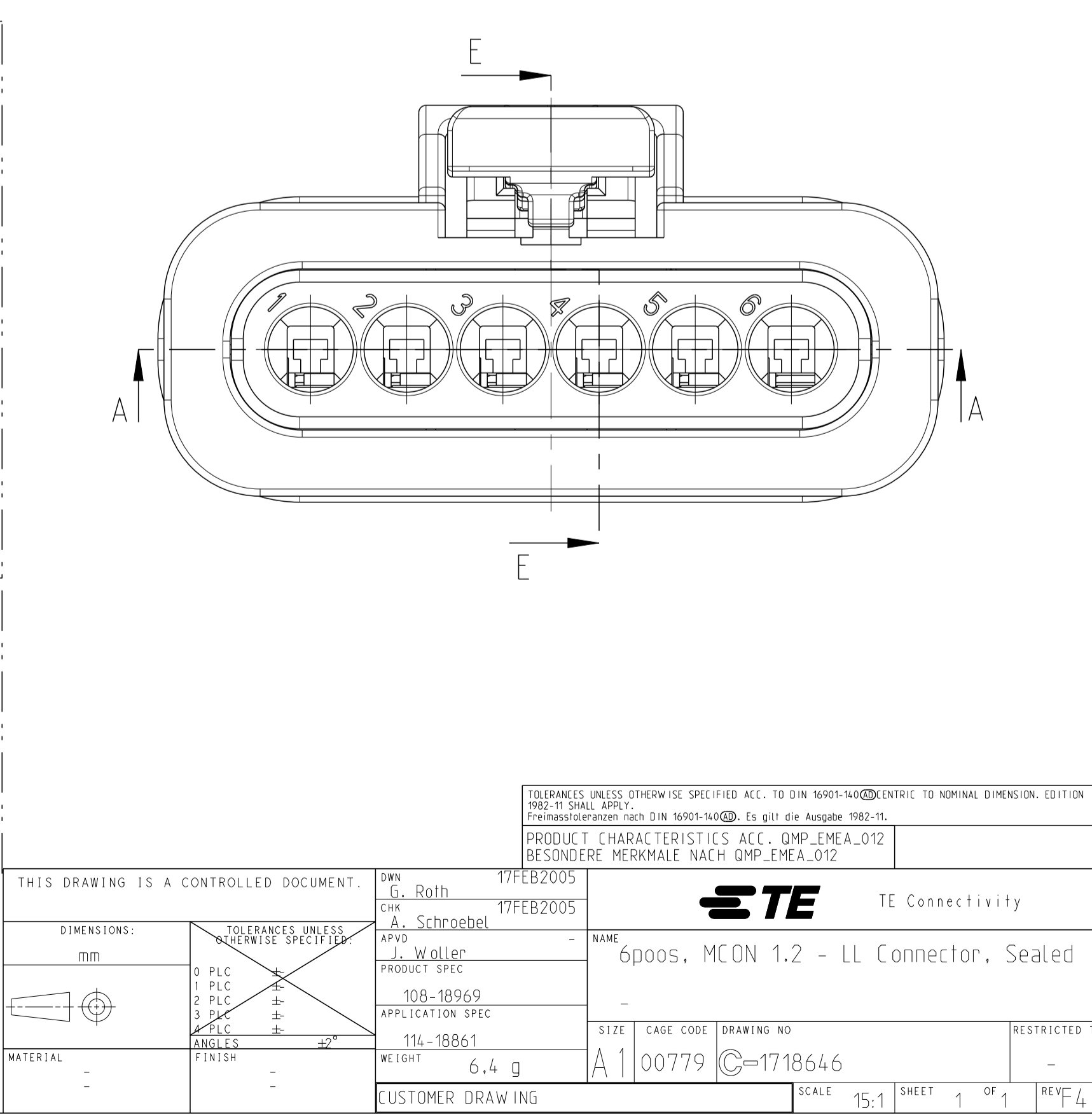
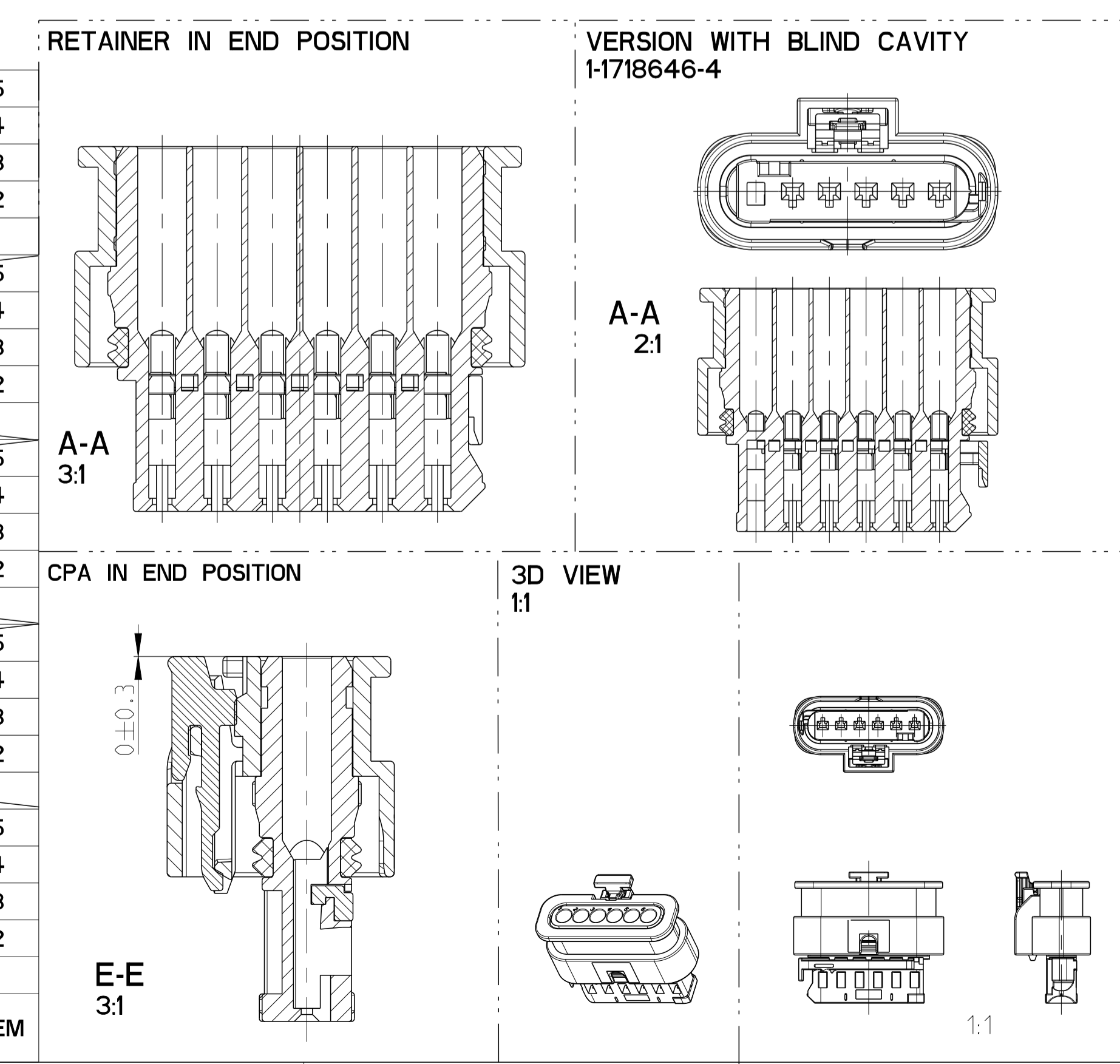


- 1 USABLE CONTACTS MCON 1.2
SEE TE-NO. 1452674. VERSION SINGLE WIRE SEAL
 - 2 MAX. WIRE SIZE RANGE 1.0 mm² FLR PERMITTED
FOR CAVITY-Ø 3.55mm
QUANTITY SEE WIRE HARNESS DRAWING
FOR PERMISSIBLE CURRENT CARRYING CAPACITY OF THE SINGLE CONTACT
SEE PRODUCT SPECIFICATION NO.108-18782
 - F3 3 TE RELEVANT IDENTIFICATION AND TRACKING NUMBERS
 - 4 SPACE OF ACTIVITY
 - 5 SUPPLY CONDITION: CPA IN PRELOCKED POSITION
 - 6 SUPPLY CONDITION: RETAINER IN PRELOCKED POSITION
 - 7 WARPAGE PERMITTED TO MAX. -0.5mm
 - 8 TE ORDER-NO.
 - 9 ACCORDING TO INTERFACE DRAWING
SEE TE-NO. 114-18679-3
 - 10 ASSEMBLY LINE SEGMENT IDENTIFICATION
 - 11 DATE CODE (DD/YY)
 - F3 12 AREA FOR PRINT WITH CUSTOMER RELEVANT MARKING
 - F3 13 TE TRADEMARK
 - F4 14 DIVERGENT MARKING FOR PARTS FROM DIFFERENT PLANTS (BR. CN. U.S...)
- 1- -1 AS SHOWN

TE-ORDER-NO.	COD	DESCRIPTION	REV	QTY	DESCRIPTION	MATERIAL	SURFACE/COLOUR	ITEM	
1-1718646-4	A	6pos. MCON 1.2 - LL Connector, Sealed	F	1	MCON 1.2 - CPA	PA46-GF15	GRAY SIML. RAL 7037	5	
				1	6pos. MCON 1.2 - Seal	MVG	NATURE	4	
				1	6pos. MCON 1.2 - Retainer	PA66-GF15	VIOLETT SIML. RAL 4006	3	
				1	6pos. MCON 1.2 - Protec. Cover	PA6-GF15	BLACK SIML. RAL 9011	2	
				1	6pos. MCON 1.2 - Rec. Hsg.	PA66-GF30	BLACK SIML. RAL 9011	1	
				1	MCON 1.2 - CPA	PA46-GF15	GRAY SIML. RAL 7037	5	
	4-1718646-1	D	6pos. MCON 1.2 - LL Connector, Sealed	D	1	6pos. MCON 1.2 - Seal	MVG	NATURE	4
					1	6pos. MCON 1.2 - Retainer	PA66-GF15	VIOLETT SIML. RAL 4006	3
					1	6pos. MCON 1.2 - Protec. Cover	PA6-GF15	BLACK SIML. RAL 9011	2
					1	6pos. MCON 1.2 - Rec. Hsg.	PA66-GF30	BLACK SIML. RAL 4004	1
					1	MCON 1.2 - CPA	PA46-GF15	GRAY SIML. RAL 7037	5
					1	6pos. MCON 1.2 - Seal	MVG	NATURE	4
3-1718646-1	C	6pos. MCON 1.2 - LL Connector, Sealed	D	1	6pos. MCON 1.2 - Retainer	PA66-GF15	VIOLETT SIML. RAL 4006	3	
				1	6pos. MCON 1.2 - Protec. Cover	PA6-GF15	BLACK SIML. RAL 9011	2	
				1	6pos. MCON 1.2 - Rec. Hsg.	PA66-GF30	BLACK SIML. RAL 5012	1	
				1	MCON 1.2 - CPA	PA46-GF15	GRAY SIML. RAL 7037	5	
				1	6pos. MCON 1.2 - Seal	MVG	NATURE	4	
				1	6pos. MCON 1.2 - Retainer	PA66-GF15	VIOLETT SIML. RAL 4006	3	
2-1718646-1	B	6pos. MCON 1.2 - LL Connector, Sealed	E	1	6pos. MCON 1.2 - Protec. Cover	PA6-GF15	BLACK SIML. RAL 9011	2	
				1	6pos. MCON 1.2 - Rec. Hsg.	PA66-GF30	NATURE	1	
				1	MCON 1.2 - CPA	PA46-GF15	GRAY SIML. RAL 7037	5	
				1	6pos. MCON 1.2 - Seal	MVG	NATURE	4	
				1	6pos. MCON 1.2 - Retainer	PA66-GF15	VIOLETT SIML. RAL 4006	3	
				1	6pos. MCON 1.2 - Protec. Cover	PA6-GF15	BLACK SIML. RAL 9011	2	
1-1718646-1	A	6pos. MCON 1.2 - LL Connector, Sealed	F	1	6pos. MCON 1.2 - Rec. Hsg.	PA66-GF30	NATURE	1	
				1	MCON 1.2 - CPA	PA46-GF15	GRAY SIML. RAL 7037	5	
				1	6pos. MCON 1.2 - Seal	MVG	NATURE	4	
				1	6pos. MCON 1.2 - Retainer	PA66-GF15	VIOLETT SIML. RAL 4006	3	
				1	6pos. MCON 1.2 - Protec. Cover	PA6-GF15	BLACK SIML. RAL 9011	2	
				1	6pos. MCON 1.2 - Rec. Hsg.	PA66-GF30	BLACK SIML. RAL 9011	1	



THIS DRAWING IS A CONTROLLED DOCUMENT.		OWN: G. Roth 17FEB2005	TE Connectivity	
DIMENSIONS: mm		CHK: A. Schraebel	NAME: 6pos. MCON 1.2 - LL Connector, Sealed	
TOLERANCES UNLESS OTHERWISE SPECIFIED:		APVD: J. Woller	SIZE: 108-18969	
0 PLC ±		PRODUCT SPEC	APPLICATION SPEC	
1 PLC ±		108-18969	114-18861	
2 PLC ±		APPLICATION SPEC	WEIGHT: 6.4 g	
3 PLC ±		114-18861	CUSTOMER DRAWING	
4 PLC ±		108-18969	SCALE: 15:1	
5 PLC ±		114-18861	SHEET: 1 of 1	
ANGLES: 30°		108-18969	REV: F4	
FINISH: 30°		114-18861	REV: F4	