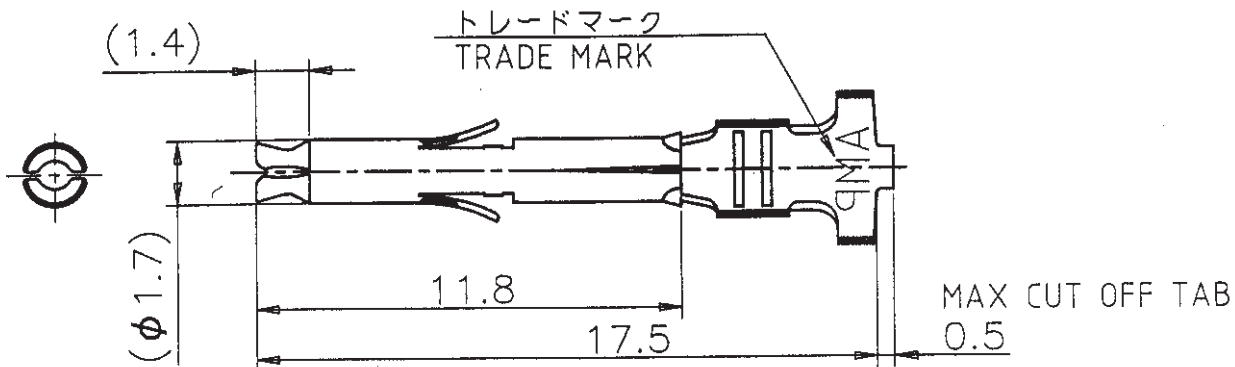


LOC		DIST		REVISIONS			DATE	DWN	APVD
P	LTR	DESCRIPTION							
	C	REVISED PER ECR-20-100878			04DEC2020	PC	SW		



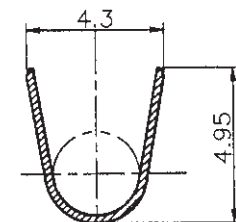
注記)

1. 使用ハウジングはキャップ及びプラグ
- ② 製品規格 108-5138, 108-5151
- ③ 取付適用規格 114-5050
4. 取扱説明書 411-5105

NOTES)

1. APPLICABLE HOUSING; CAP AND PLUG
- ② PRODUCT SPECIFICATION 108-5138, 108-5151
- ③ APPLICATION SPECIFICATION 114-5050
4. INSTRUCTION SHEET 411-5105

SECT A-A



SECT B-B

171639-1

型番 (PART NO.)

WIRE RANGE 線径範囲 0.5-1.3mm <sup>2</sup>	AWG #20-16	INSULATION DIA 被覆外径 2.0-3.2mmDIA 2.4mmDIAx2
MATERIAL 材料 黄銅 (BRASS):0.25t	FINISH 仕上 PRE-TIN	
<b>TE</b> TE Connectivity		
NAME 名称 SOCKET (LOOSE PIECE) MINI UNIVERSAL MATE-N-LOK		
SIZE 尺貫	CAGE CODE 番号	DRAWING NO 番号
A4	00779	C=171639
CUSTOMER DRAWING		RESTRICTED TO
SCALE 尺貫	SHEET	REV
5:1	1 OF 1	C

参考図面

RELEASED FOR PUBLICATION

ALL RIGHTS RESERVED.

THIS DRAWING IS UNPUBLISHED.

© COPYRIGHT

DIMENSIONS:  
単位  
MM

DWN *A. D. Shaw* 16 FEB 00

TOLERANCES UNLESS OTHERWISE SPECIFIED:  
一般公差

CHK *M. S. L.* 16 FEB 00

±0.3

APVD *M. S. L.* 16 FEB 00

ANGLES

±1°

PRODUCT SPEC  
製品規格 表参照  
SEE TABLE ②

APPLICATION SPEC  
取付適用規格 表参照  
SEE TABLE ③

