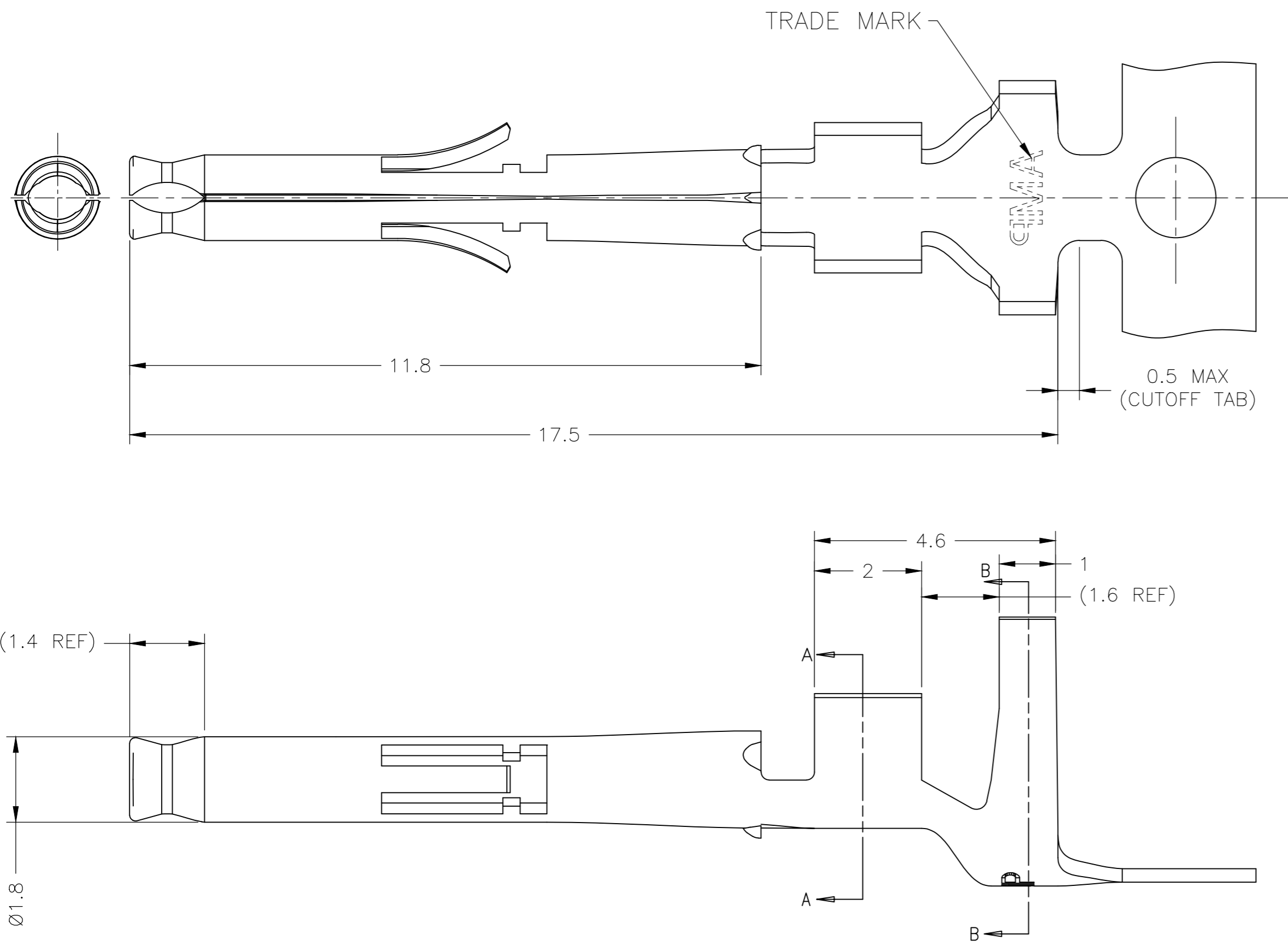
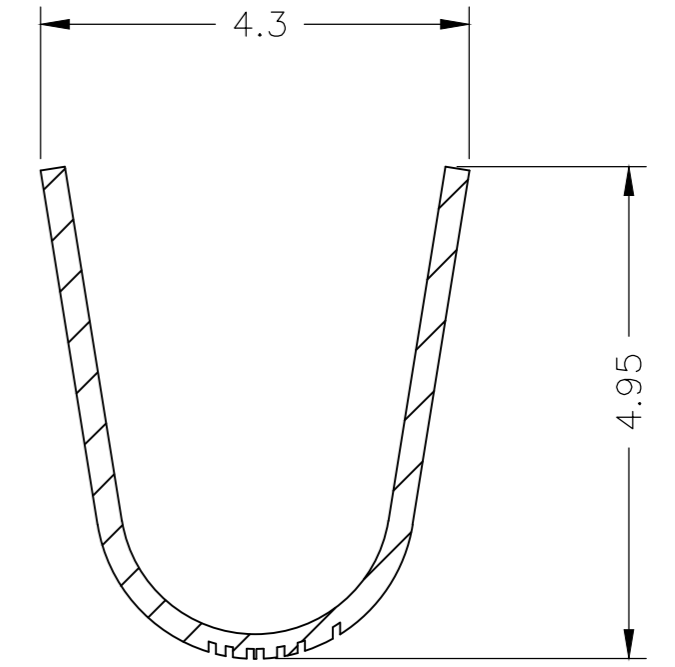
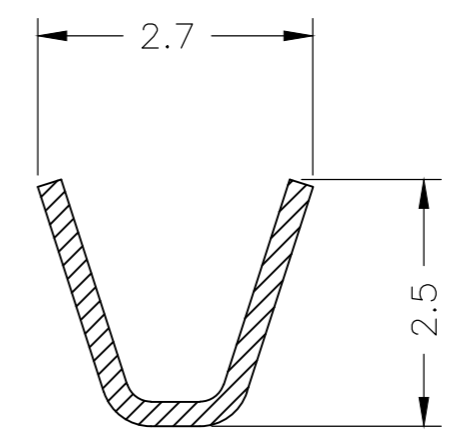


REVISIONS					
P	LTR	DESCRIPTION	DATE	DWN	APVD
D		REVISED PER ECR-20-100603	02NOV2020	PC	SW



- 1 PRODUCT SPECIFICATION 108-5151, 108-5138
APPLICATION SPECIFICATION 114-5050
- 2 APPLICABLE WIRE FOR TWO-WIRE CRIMP
20 AWG (VSF INSULATION Ø2.4) X 2
- 3 NOTE DELETED
- 4 OBSOLETE



WIRE RANGE: 0.5-1.3 mm ² , 20-16 AWG		- GOLD PLATED BRASS (0.252)		-171637-3-4	
INSULATION DIA : 2.0-3.2 2.4X2mm		171639-1		PRE TINNED BRASS (0.252)	
THIS DRAWING IS A CONTROLLED DOCUMENT.		LOOSE PIECE		FINISH-MATERIAL	
DIMENSIONS: mm		DWN 05JUL2019 BASAVARAJA D A		TE Connectivity	
TOLERANCES UNLESS OTHERWISE SPECIFIED:		CHK 05JUL2019 WRIGHT SCOTT		NAME	
0 PLC ± -		APVD 05JUL2019 WRIGHT SCOTT		SOCKET CONTACT (MINI UNIVERSAL M-N-L)	
1 PLC ± 0.3		PRODUCT SPEC		SIZE	
2 PLC ± -		APPLICATION SPEC		CAGE CODE	
3 PLC ± -		WEIGHT		DRAWING NO	
4 PLC ± -		CUSTOMER DRAWING		RESTRICTED TO	
ANGLES ± 1°		SCALE 1:1		SHEET 1 of 1	
MATERIAL SEE TABLE		FINISH -		REV D	