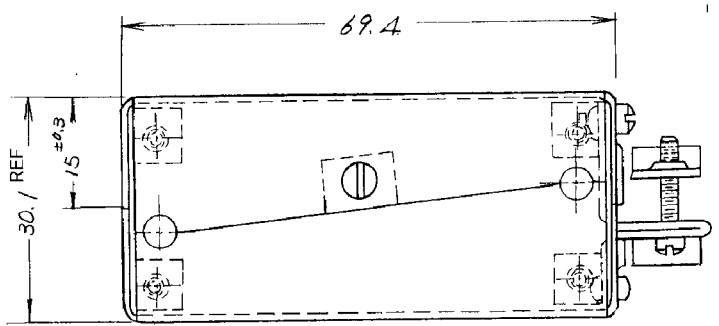


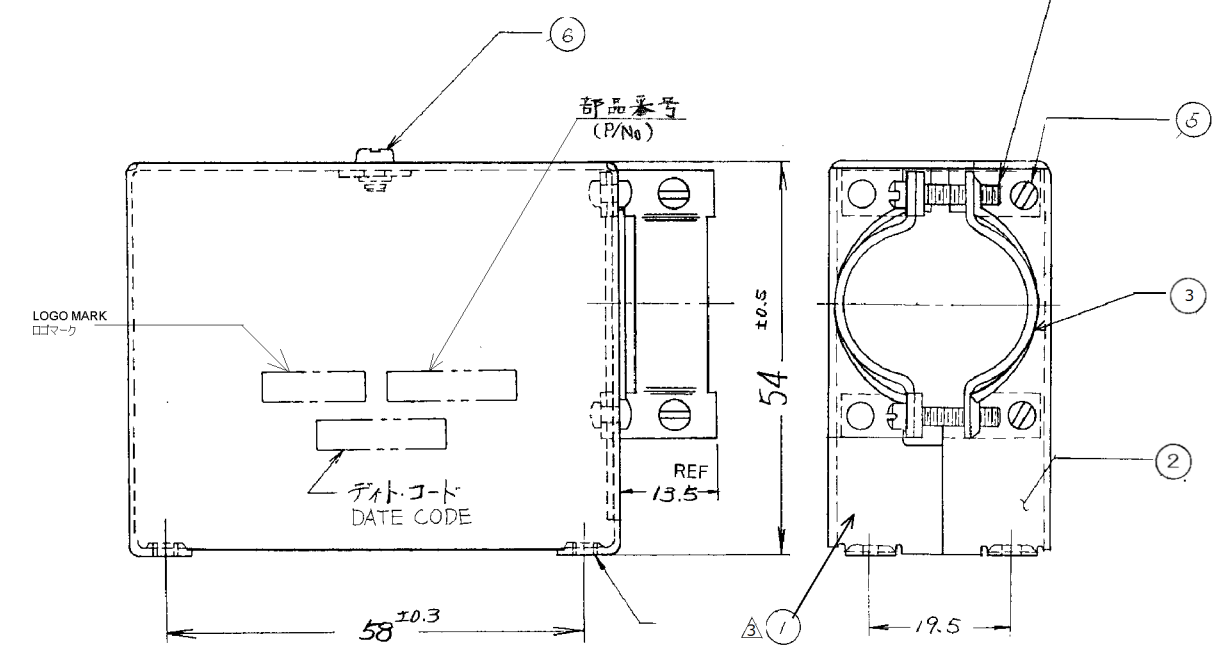
THIS DRAWING IS UNPUBLISHED  
 RELEASED FOR PUBLICATION  
 (C) COPYRIGHT 2012 BY Tyco Electronics Japan G.K.

REVISEMENTS		変更				
P	LTR	DESCRIPTION	ECN	DATE	DWN	APVD
	E	REVISED		09SEP 2013	T.N	N.Y
	F	REVISED PER ECO-20-007658	-	12JUN 2020	KR	MZ
	F1	REVISED PER ECN-24-260984	-	16APR2024	RK	FSJ



類似 No. 202711-1  
 SIMILAR SHIELD No. 202711-1

△ ウィスカ対策・RoSH対応品  
 WHISKER COUNTERMEASURE & RoSH COMPLIANCE



NOTE  
 1. 電線束線径: 最大φ 26, 最小φ 17  
 WIRE BUNDLE THICKNESS: MAX φ 26, MIN φ 17

- 2. -1, 7-1: 絶縁スリーブなし  
 -1, 7-1: WITHOUT INSULATED SLEEVE
- 2: 絶縁スリーブ (P/N21330-4) 2ヶ添付  
 -2: INSULATED SLEEVE (P/N21330-4) WITH 2 PEACE
- 3. リベット(スチール ニッケルめっき)で、固定側ケーブルクランプを組込んだもの。  
 ASSEMBLED CABLE CLAMP FIXED SIDE BY RIVET (SCALE, NICKEL PLATING)

OBsolete	OBsolete	MATERIAL AND FINISH	NAME	ITEM NO.
2	2	2	STAINLESS STEEL, ORGANIC COATING △	SCREW # 4-40 UNC-2A LENGTH 3.2 REF ⑥
2	2	2	STAINLESS STEEL, ORGANIC COATING △	SCREW # 4-40 UNC-2A LENGTH 6.4 REF ⑤
2	2	2	STAINLESS STEEL, ORGANIC COATING △	SCREW # 4-40 UNC-2A LENGTH 19.1 REF ④
1	1	1	ZINC-COATED STEEL, PAINTED TO METALIC SILVER △	CABLE-CLAMP ③
1	1	1	ZINC-COATED STEEL, PAINTED TO METALIC SILVER △	CABLE-CLAMP ③
1	1	1	ZINC-COATED STEEL, PAINTED TO METALIC SILVER △	SHIELD (R.H) ②
1	1	1	ZINC-COATED STEEL, PAINTED TO METALIC SILVER △	SHIELD (R.H) ②
1	1	1	ZINC-COATED STEEL, PAINTED TO METALIC SILVER △	SHIELD (L.H) ①
1	1	1	ZINC-COATED STEEL, PAINTED TO METALIC SILVER △	SHIELD (L.H) ①

THIS DRAWING IS A CONTROLLED DOCUMENT FOR AND INCORPORATED IT IS SUBJECT TO CHANGE AND THE CONTROLLING ENGINEERING ORGANIZATION SHOULD BE CONTACTED FOR THE LATEST REVISION.		C. OHASHI 3/APR/97 CHK 9/APR/97 APVD 9/APR/97 PRODUCT SPEC 製品仕様 APPLICATION SPEC 取付適用規格		TE Connectivity 75極90°シールド 75POS 90° SHIELD	
DIMENSIONS: 単位: 概 mm	TOLERANCES UNLESS OTHERWISE SPECIFIED 一般公差 ±0.4 ±1°	MATERIAL 材料 上図参照 SEE DWG	FINISH 仕上 上図参照 SEE DWG	WEIGHT 重量 CUSTOMER DRAWING	SIZE CAGE CODE DRAWING NO 番号 A3 00779 C-171076
RESTRICTED TO 制限				SCALE 尺度 NON SHEET 1 OF 1 REV F1	