

4

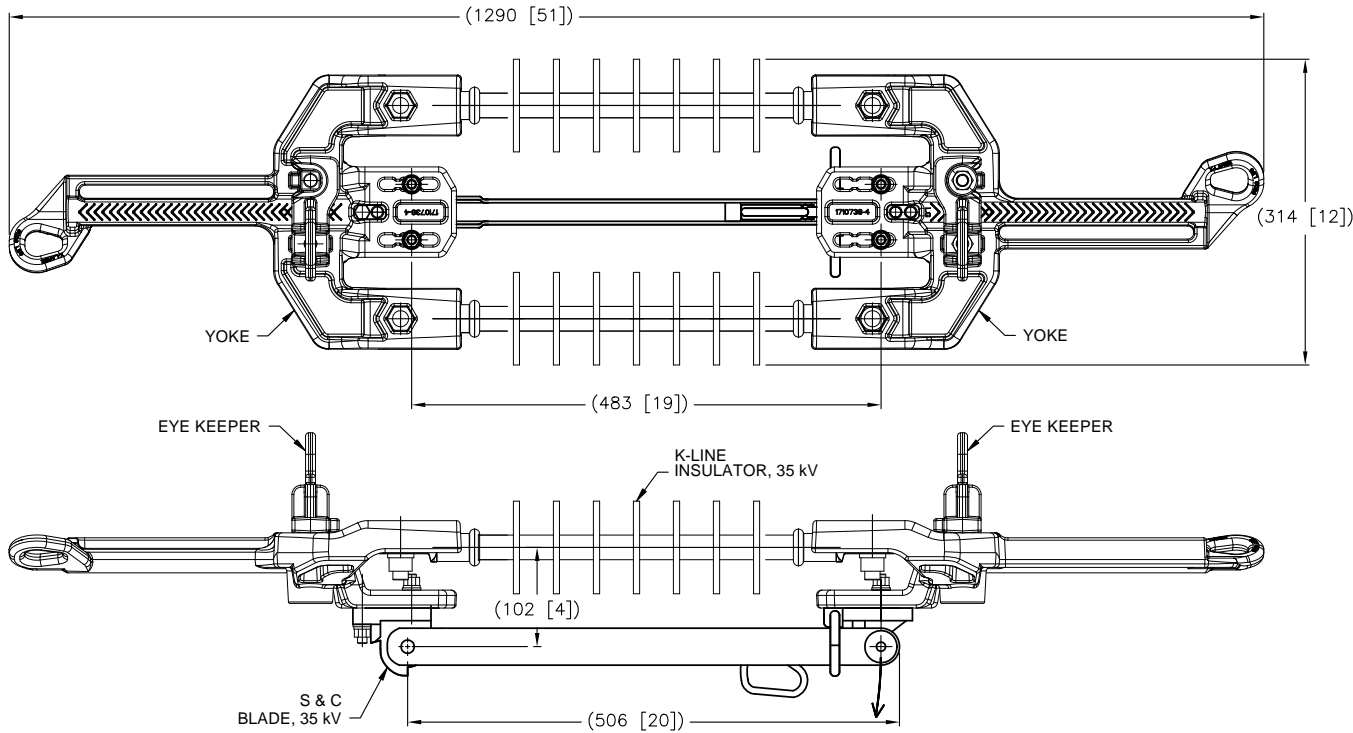
3

2

1

THIS DRAWING IS UNPUBLISHED. RELEASED FOR PUBLICATION
 © COPYRIGHT - By - ALL RIGHTS RESERVED.

REVISIONS					
REV	LCR	DESCRIPTION	DATE	OWN	APP'D
C	LC20-0056-12 / ECO-12-010512		28MAY2012	DM	BJ
D	LC20-0094-13 / ECO-13-014496		09SEP2013	DM	BJ
E	LC20-0031-16 / ECO-16-005675		14APR2016	DM	BJ
F	LC20-0085-16 / ECO-16-011010		21JUL2016	DM	BJ
G	LC20-0060-19 / ECO-19-010173		29JUN2019	DM	BJ



- BODY STRENGTH: 10,000 lbs.
PULLING EYE STRENGTH: 6000 lbs.
- 1710730-1 WILL BE REPLACED BY 1710730-6 IN THE FUTURE.

X-SMALL	1710730-6
XX-LARGE	1710730-5
X-LARGE	1710730-4
LARGE	1710730-3
SMALL	1710730-2
X-SMALL	1710730-1
YOKE SIZE IN ILD ASSEMBLY	PART NO.

40,000 AMPERE RMS, ASYMMETRICAL	25,000 AMPERE RMS, SYMMETRICAL	900 AMPERE RMS	60 HERTZ	200 kV	35 kV AC
MOMENTARY CURRENT	THREE SECOND CURRENT	CONTINUOUS CURRENT ALLOWABLE RATING: (PER ANSI C37-32.3.2.1 2002)	FREQUENCY	BASIC IMPULSE INSULATION LEVEL (BIL)	VOLTAGE
SHORT TIME CURRENT					
RATINGS					

THIS DRAWING IS A CONTROLLED DOCUMENT.

DIMENSIONS: mm [INCHES]	TOLERANCES UNLESS OTHERWISE SPECIFIED:	0 PLC ± -	1 PLC ± -	2 PLC ± -	3 PLC ± -	4 PLC ± -	ANGLES ± -
MATERIAL		FINISH		WEIGHT		CUSTOMER DRAWING	

OWN: D. MURUGIAH	12FEB2010	STE TE Connectivity
CHK: S. KAMEL	29MAR2010	
APP'D: B. JOHNSON	29MAR2010	
NAME: INLINE DISCONNECT SWITCH ASSEMBLY WITHOUT TAPS, AMPACT, 35 kV, 900 Amp	SIZE: A2	CAGE CODE: 00779
PRODUCT SPEC: -	DRAWING NO: 1710730	RESTRICTED TO: -
APPLICATION SPEC: -	SCALE: NTS	SHEET: 1 of 1
REV: -	REV: G	