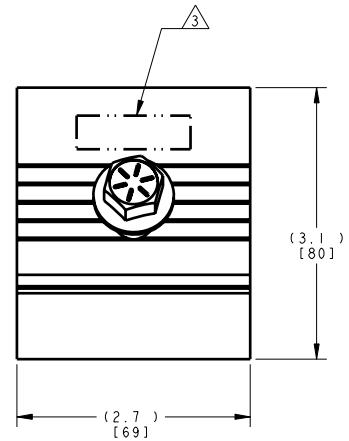
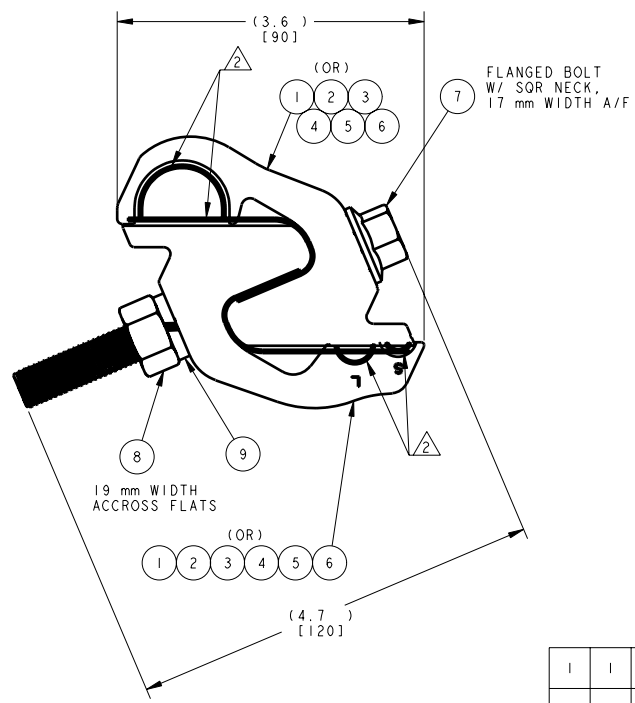


LOC	DIST	REVISIONS					
		F	LTR	DESCRIPTION	DATE	DWN	APVD
GA	5	B		LC20-0011-09 / ECO-09-008651	08FEB2009	DM	BJ



COMBINATION	RUNNER (PRIMARY)	TAP (SECONDARY)	PART NO.
C3 - C3	125 - 150	125 - 150	1-1710583-8
C3 - C2	125 - 150	16 & 80 - 100	1-1710583-7
C3 - C1	125 - 150	25 - 63	1-1710583-6
C6 - C6	280 - 300	280 - 300	1-1710583-5
C6 - C5	280 - 300	240 - 250	1-1710583-4
C6 - C4	280 - 300	160 - 200	1-1710583-3
C6 - C3	280 - 300	125 - 150	1-1710583-2
C6 - C2	280 - 300	16 & 80 - 100	1-1710583-1
C6 - C1	280 - 300	25 - 63	1-1710583-0
C5 - C5	240 - 250	240 - 250	1710583-9
C5 - C4	240 - 250	160 - 200	1710583-8
C5 - C3	240 - 250	125 - 150	1710583-7
C5 - C2	240 - 250	16 & 80 - 100	1710583-6
C5 - C1	240 - 250	25 - 63	1710583-5
C4 - C4	160 - 200	160 - 200	1710583-4
C4 - C3	160 - 200	125 - 150	1710583-3
C4 - C2	160 - 200	16 & 80 - 100	1710583-2
C4 - C1	160 - 200	25 - 63	1710583-1

QTY PER ASSY																		DESCRIPTION	ITEM NO
1	1	1	1	1	1	1	1	1	1	1	1	1	1	1	1	1	1	INSTRUCTION SHEET # 408-10147	10
1	1	1	1	1	1	1	1	1	1	1	1	1	1	1	1	1	1	WASHER, SPLIT, 7/16 SIZE	9
1	1	1	1	1	1	1	1	1	1	1	1	1	1	1	1	1	1	NUT, HEX, 7/16 SIZE	8
1	1	1	1	1	1	1	1	1	1	1	1	1	1	1	1	1	1	BOLT, FLANGED HEX HEAD, 7/16 SIZE	7
-	-	-	2	1	1	1	1	1	-	-	-	-	-	-	-	-	-	TWC, J MEMBER C6, ALUMINUM ALLOY	6
-	-	-	-	1	-	-	-	2	1	1	1	1	-	-	-	-	-	TWC, J MEMBER C5, ALUMINUM ALLOY	5
-	-	-	-	-	1	-	-	-	1	-	-	-	2	1	1	1	1	TWC, J MEMBER C4, ALUMINUM ALLOY	4
2	1	1	-	-	-	1	-	-	-	-	-	-	-	1	-	-	-	TWC, J MEMBER C3, ALUMINUM ALLOY	3
-	1	-	-	-	-	-	1	-	-	-	-	-	-	-	-	-	1	TWC, J MEMBER C2, ALUMINUM ALLOY	2
-	-	1	-	-	-	-	-	1	-	-	-	-	-	-	-	-	1	TWC, J MEMBER C1, ALUMINUM ALLOY	1

- 1. ALL DIMENSIONS ARE FOR REFERENCE ONLY.
  - 2. INHIBITOR IS APPLIED AT FACTORY.
  - 3. MARKING: C6 [YYWW]
- ("C1" TO "C6" IDENTIFY J MEMBER COMPONENTS OF CONNECTOR. "YYWW" REPRESENTS DATE CODE AS YEAR, WEEK).

<small>THIS DRAWING IS THE PROPERTY OF TYCO ELECTRONICS CORPORATION. IT IS TO BE USED ONLY FOR THE SPECIFIC PARTS IDENTIFIED HEREIN. IT IS TO BE KEPT UNDER STRICT CONTROL AND NOT REPRODUCED OR COPIED FOR ANY OTHER PURPOSE.</small>		DWN: 03 JUL 2008 J.D. MURUGIAN CHK: 28 JUL 2008 V. HOXHA REV: 28 JUL 2008 R. JOHNSON		Tyco Electronics Waltham, ON L3R 1E1	
DIMENSIONS: INCHES [mm]		TOLERANCES UNLESS OTHERWISE SPECIFIED:		NAME: TRANSVERSE WEDGE CONNECTOR, FLANGED BOLT WITH SQR NECK, MEDIUM GROUP, 16 TO 300 SQR MM	
		0 PLC ± 1 PLC ± 2 PLC ± 3 PLC ± 4 PLC ± ANGLES ± FINISH ±		PRODUCT SPEC: - APPLICATION SPEC: - SIZE: A20779 CAGE CODE: - DRAWING NO: ©=1710583	
MATERIAL: REFER BOM		FINISH: NONE		WEIGHT: - CUSTOMER DRAWING: - SCALE: NTS SHEET 1 OF 1 REV B	