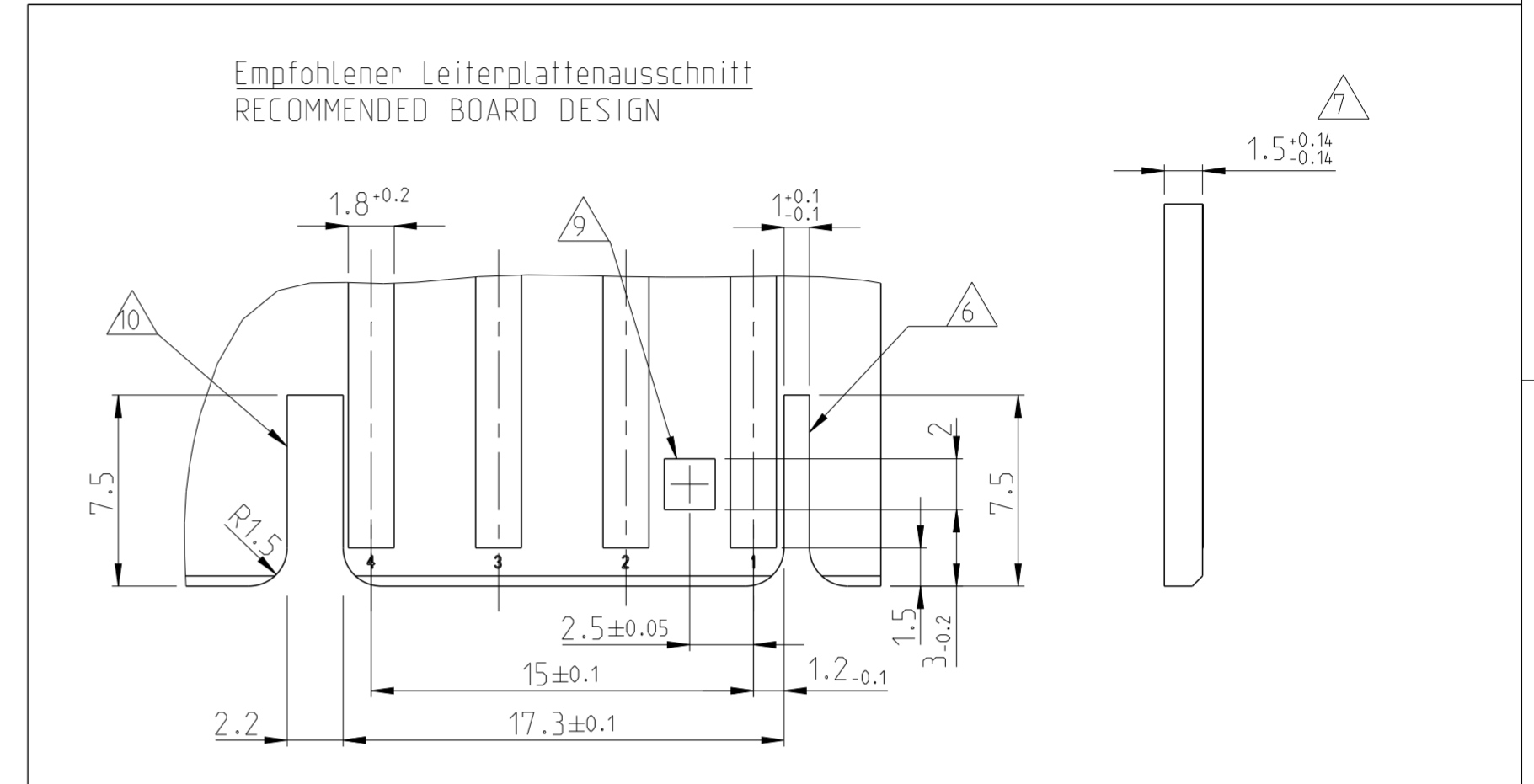
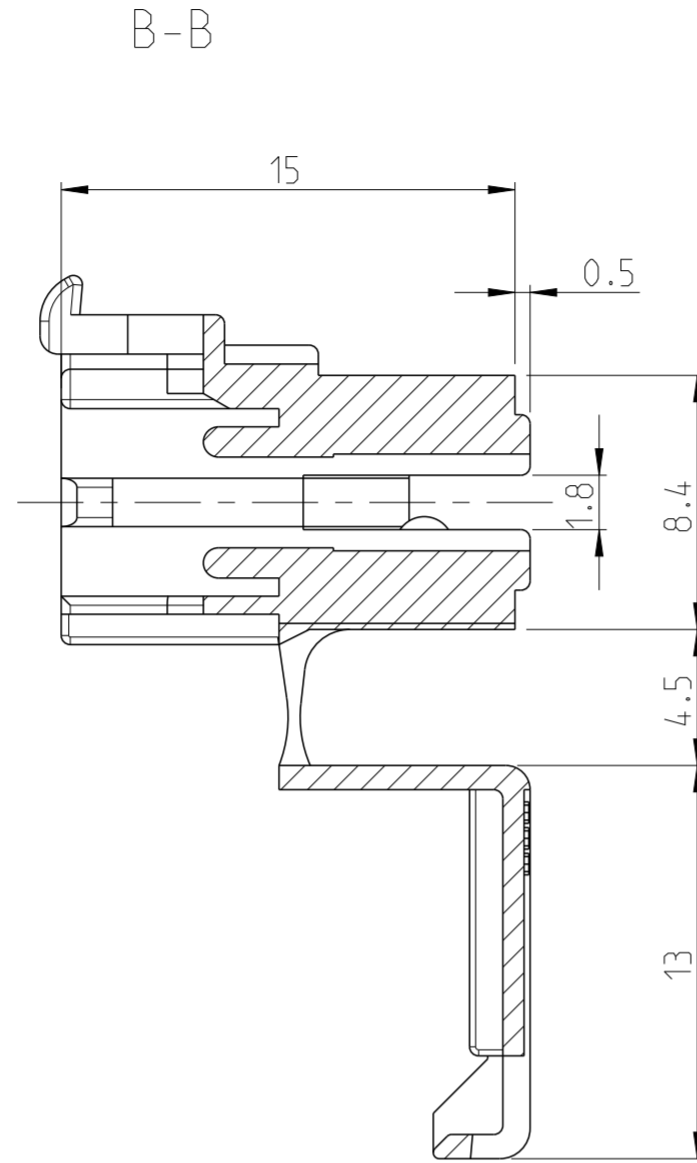
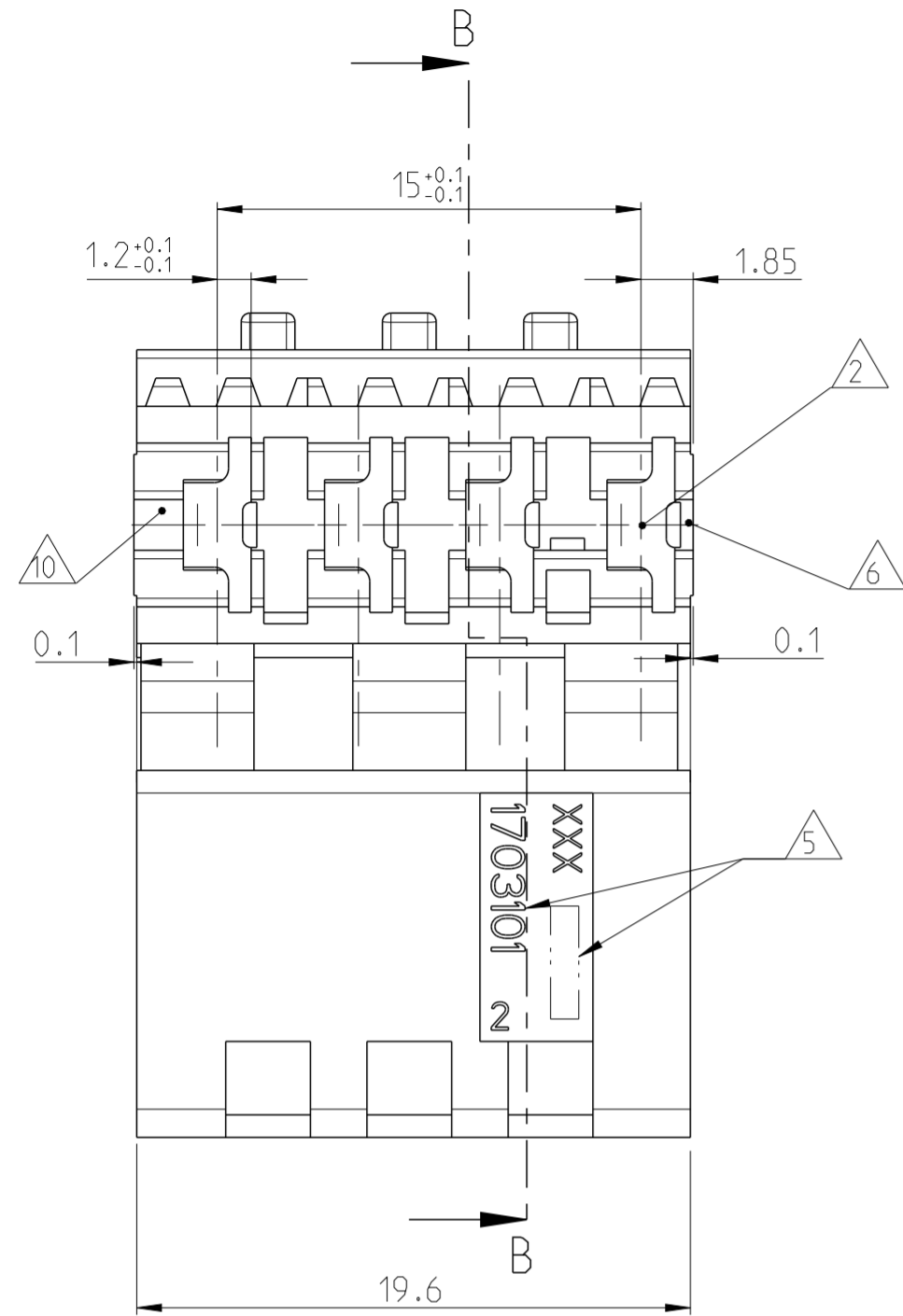


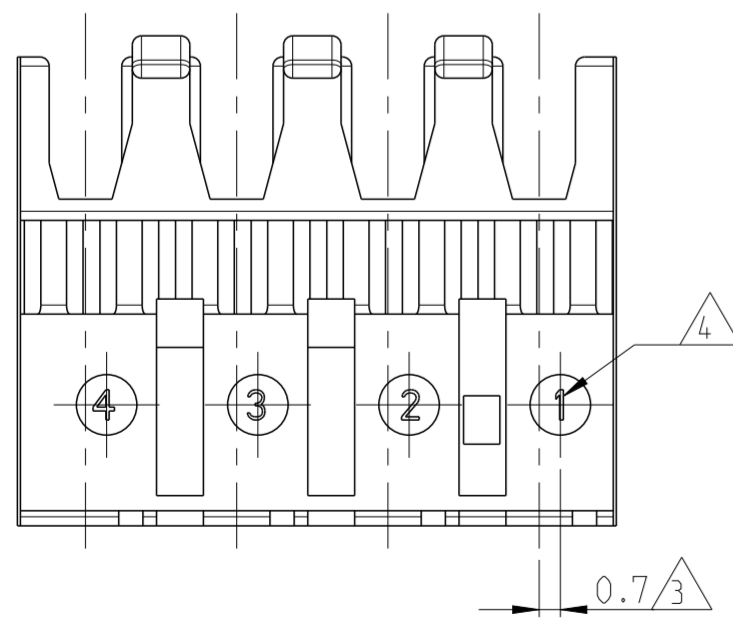
THIS DRAWING IS UNPUBLISHED. RELEASED FOR PUBLICATION
 © COPYRIGHT copyright_date BY - ALL RIGHTS RESERVED.

REVISIONS				
P	LTR	DESCRIPTION	DATE	DWN APVD
	C	INITIAL RELEASE	02AUG2013	MKD RRP

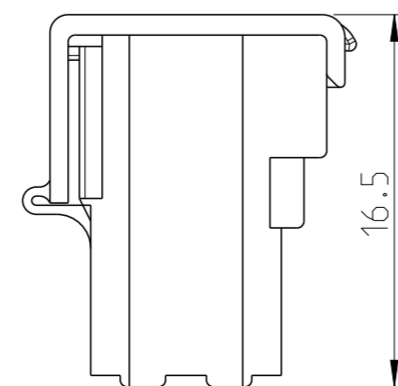


Bemerkungen
NOTES

- 1 Massgebend ist der deutsche Text
ONLY THE GERMAN-LANGUAGE VERSION SHALL BE BINDING
- 2 Lage des Kontaktpunktes auf der Leiterplatte; Abweichung ±0.4
POSITION OF CONTACT POINT ON BOARD; DEVIATION ±0.4
- 3 Kontaktierung zur Drahtmitte um 0.7mm versetzt
CONTACTING 0.7mm DISPLACED TO WIRE CENTRELINE
- 4 Kontaktkammer-Nr.
CONTACT CAVITY #
- 5 Firmenlogo und Leergehäuse-Nr.
ARTWORK LOGO AND HOUSING # (NON LOADED)
- 6 Kodersteg Vor Erster Kammer
KEYING RIB BEFORE FIRST CAVITY
- 7 Ausführung nach DIN 60249-2-4
BOARD DESIGN ACCORDING TO DIN 60249-2-4
- 8 Crimp Kontakt-Nr.:
Material: CuSn4 926770-1, 926917-1
CRIMP CONTACT #: MATERIAL: CuSn4
- 9 SQUARE HOLE 2X2 mm OPTIONAL LOCKING HOLE Ø2.5 mm
- 10 Kodersteg Nach Letzter Kammer
KEYING RIB AFTER LAST CAVITY
- 11 MATERIAL ACCORDING TO IEC 60335-1 (INCLUDING GWT 750 ° C NO FLAME)



Schematische Darstellung des MT-Edge Gehäuses mit geschlossenem Deckel
 SCHEMATIC DESCRIPTION OF MT-EDGE HOUSING WITH CLOSED LID



1-1703101-1	MT-EDGE HOUSING	NATURE
PART-NO	DESCRIPTION	COLOUR

THIS DRAWING IS A CONTROLLED DOCUMENT.		DWN DHANESH 02AUG2013	TE Connectivity	
DIMENSIONS: mm		CHK DHANESH 02AUG2013		
TOLERANCES UNLESS OTHERWISE SPECIFIED:		APVD RAJENDRA 02AUG2013	NAME 4-WAYS MT- EDGE - HOUSING LOOSE PIECE VERSION	
0 PLC ±	1 PLC ±0.2	PRODUCT SPEC 108-18003	SIZE CAGE CODE DRAWING NO RESTRICTED TO	
2 PLC ±	3 PLC ±	APPLICATION SPEC 114-18002	A2 00779	C-1703101
4 PLC ±	ANGLES ±	WEIGHT -	SCALE 4:1 SHEET 1 OF 1 REV C	
FINISH		CUSTOMER DRAWING		
11 PA6/UL94V-2				