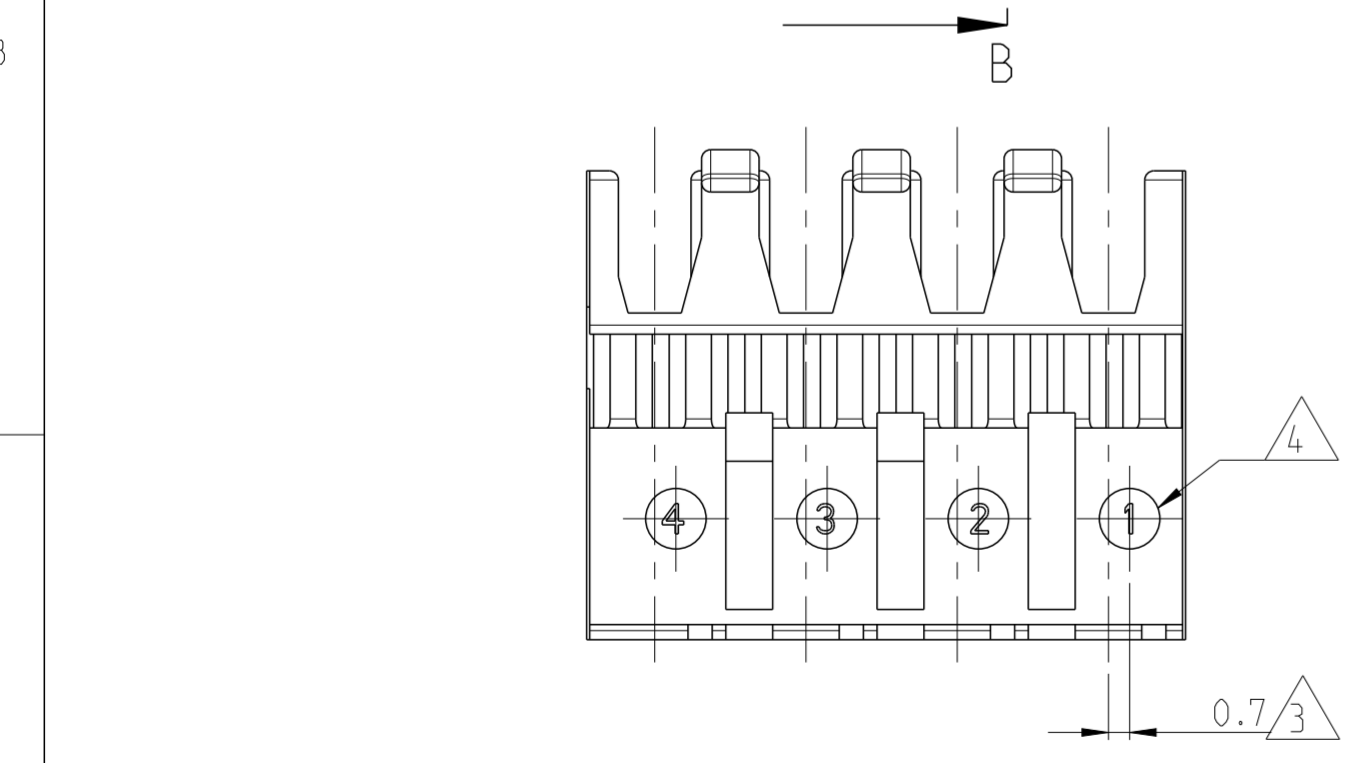
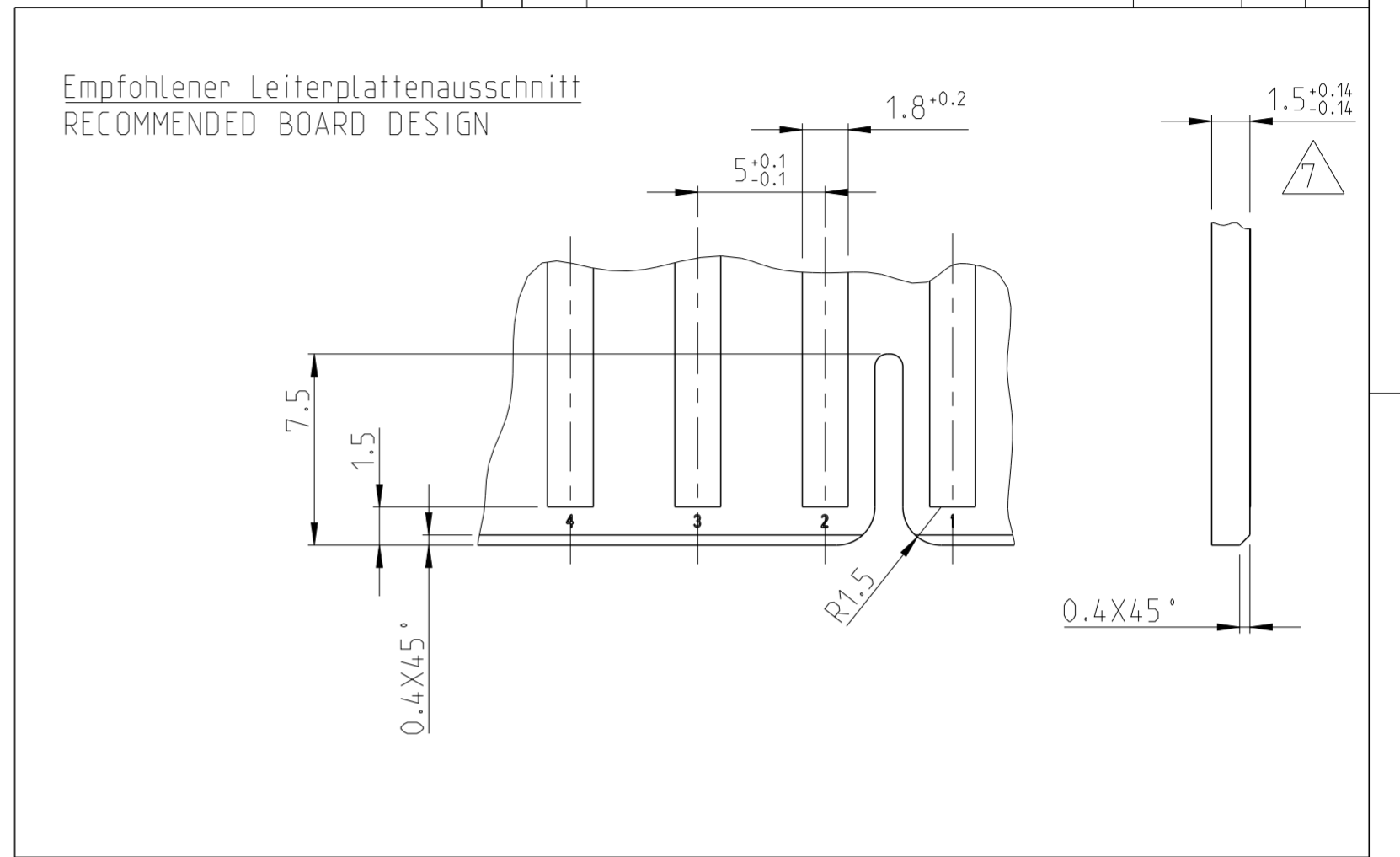
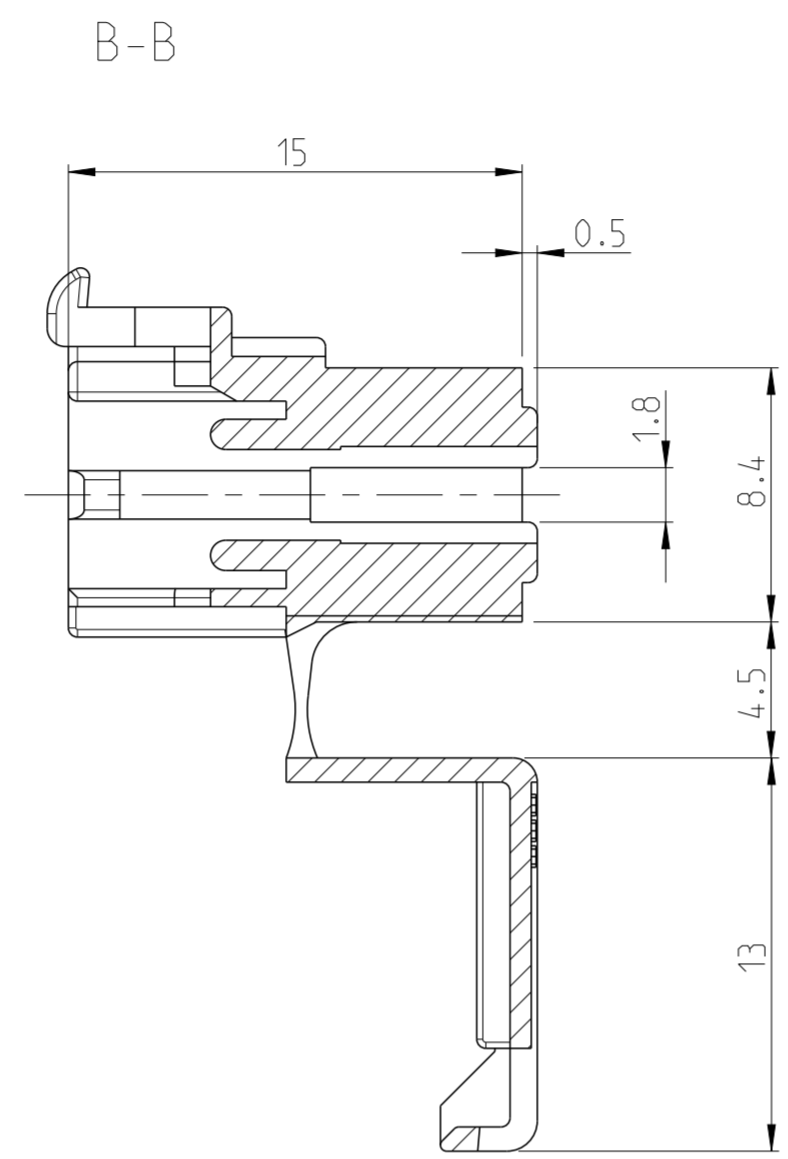
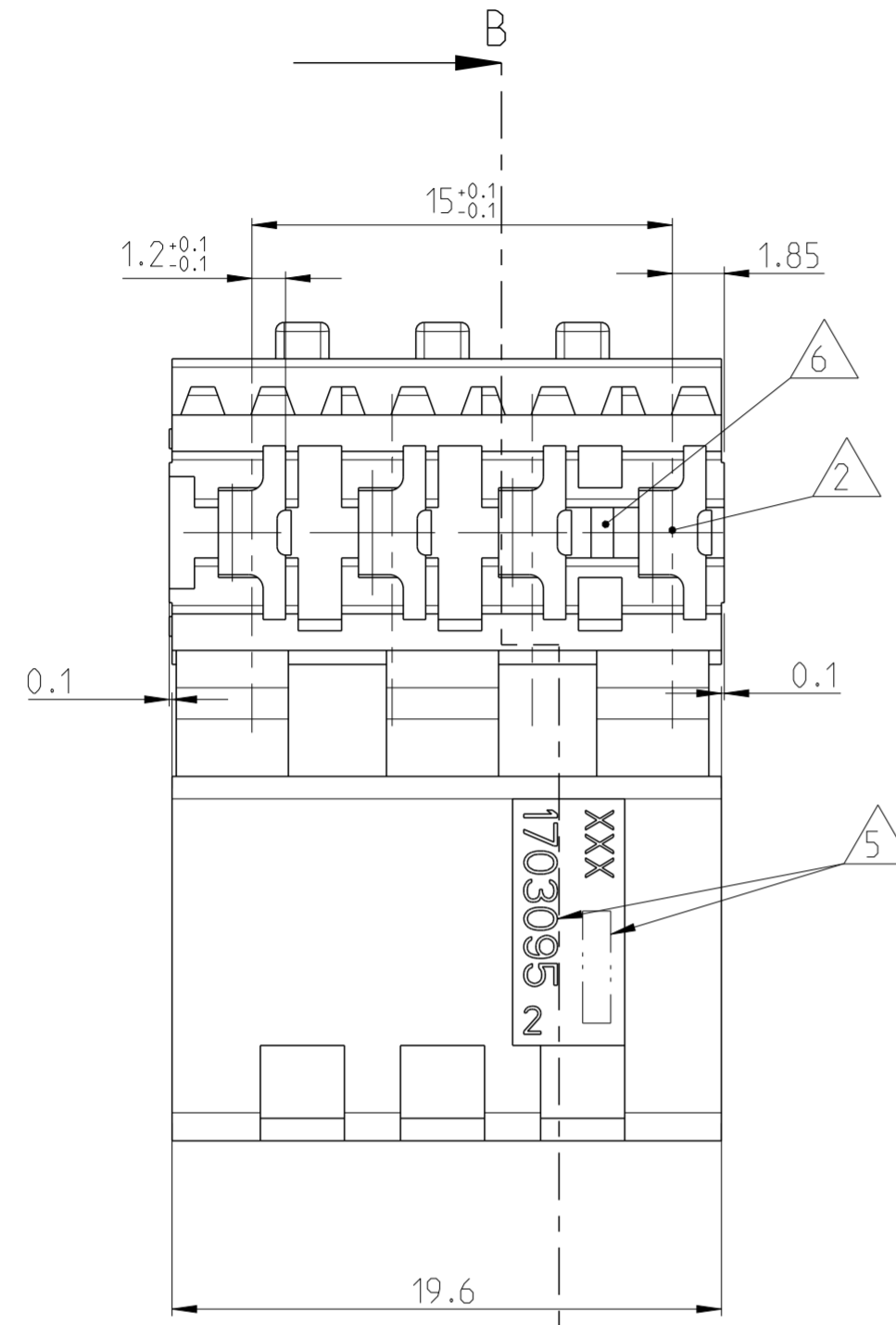
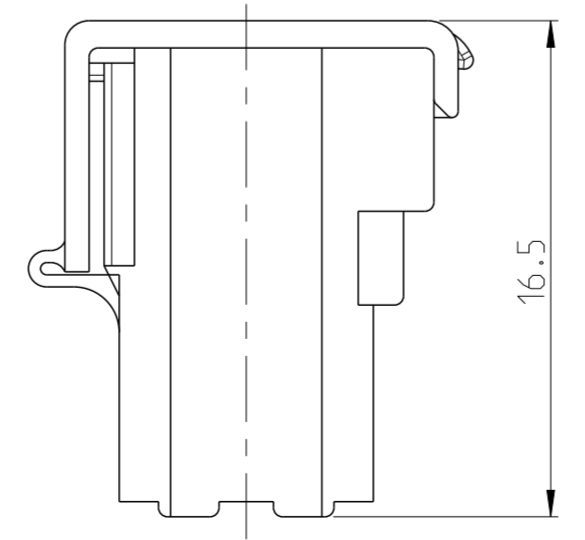


THIS DRAWING IS UNPUBLISHED. RELEASED FOR PUBLICATION 20
 © COPYRIGHT 20 BY - ALL RIGHTS RESERVED.

LOC		DIST		REVISIONS			
P	LTR	DESCRIPTION		DATE	DWN	APVD	
	B	INITIAL RELEASE		22 JUL 2013	MKD	RRP	



Schematische Darstellung des MT-Edge Gehäuses mit geschlossenem Deckel
 SCHEMATIC DESCRIPTION OF MT-EDGE HOUSING WITH CLOSED LID



Bemerkungen
 NOTES

- 1 Massgebend ist der deutsche Text
 ONLY THE GERMAN-LANGUAGE VERSION SHALL BE BINDING
- 2 Lage des Kontaktpunktes auf der Leiterplatte; Abweichung ±0.4
 POSITION OF CONTACT POINT ON BOARD; DEVIATION ±0.4
- 3 Kontaktierung zur Drahtmitte um 0.7mm versetzt
 CONTACTING 0.7mm DISPLACED TO WIRE CENTRELINE
- 4 Kontaktkammer-Nr.
 CONTACT CAVITY #
- 5 Firmenlogo und Leergehäuse-Nr.
 ARTWORK LOGO AND HOUSING # (NON LOADED)
- 6 Kodersteg zwischen Kammer Nr.1&2
 KEYING RIB BETWEEN CAVITY Nr. 1&2
- 7 Ausführung nach DIN 60249-2-4
 BOARD DESIGN ACCORDING TO DIN 60249-2-4
- 8 Crimp Kontakt-Nr.:
 Material: CuSn4
 CRIMP CONTACT #: 926770-1, 926917-1
 MATERIAL: CuSn4

1-1703095-1	MT-EDGE HOUSING	NATURE
PART-NO.:	DESCRIPTION	COLOUR

THIS DRAWING IS A CONTROLLED DOCUMENT.		DWN Dhanesh	22 JUL 2013	TE Connectivity	NAME 4-WAYS MT-EDGE-HOUSING LOOSE PIECE VERSION
DIMENSIONS: mm		CHK Dhanesh	22 JUL 2013		
TOLERANCES UNLESS OTHERWISE SPECIFIED:		APVD Rajendra	22 JUL 2013		
0 PLC ± 1 PLC ±0.2 2 PLC ± 3 PLC ± 4 PLC ± ANGLES ± FINISH ±		PRODUCT SPEC 108-18003	APPLICATION SPEC 114-18002		
MATERIAL PA6.6 / UL94V-2		WEIGHT	-	SIZE A2	CAGE CODE 00779
		Customer Drawing	SCALE 4:1	DRAWING NO C-1703095	RESTRICTED TO -
				SHEET 1	OF 1
				REV B	