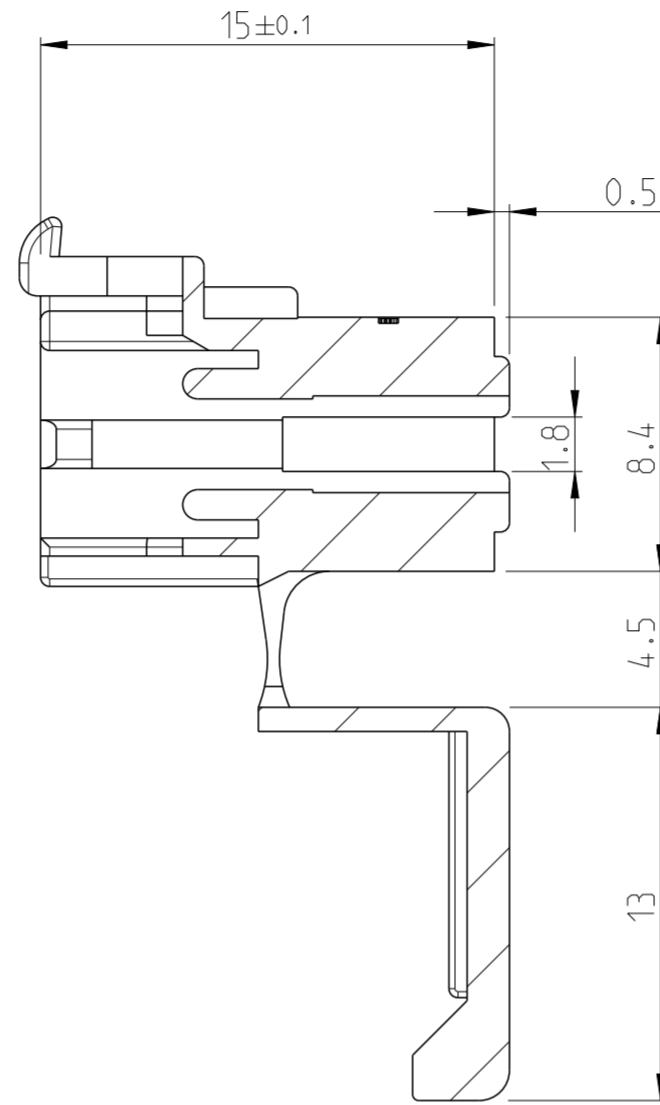
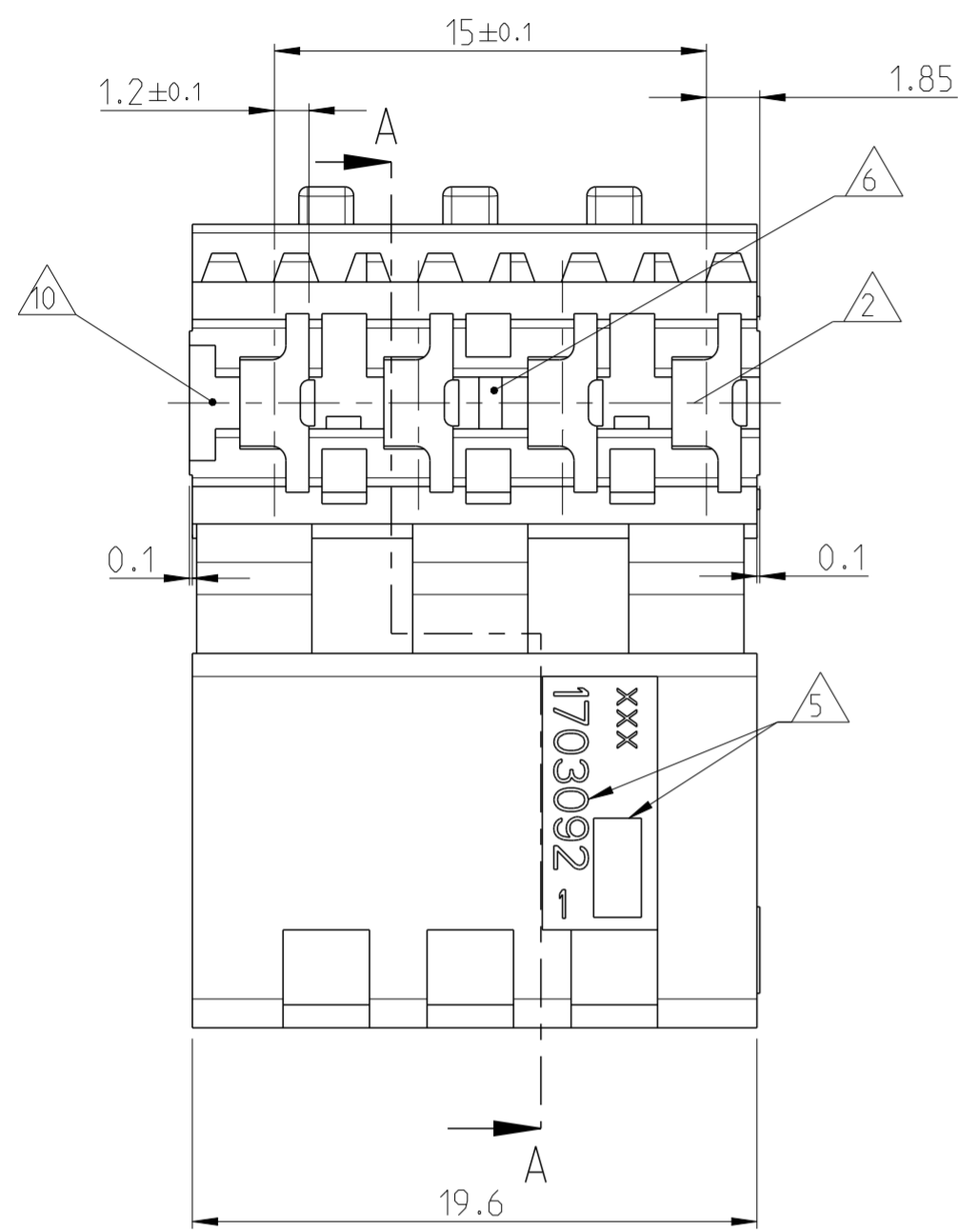
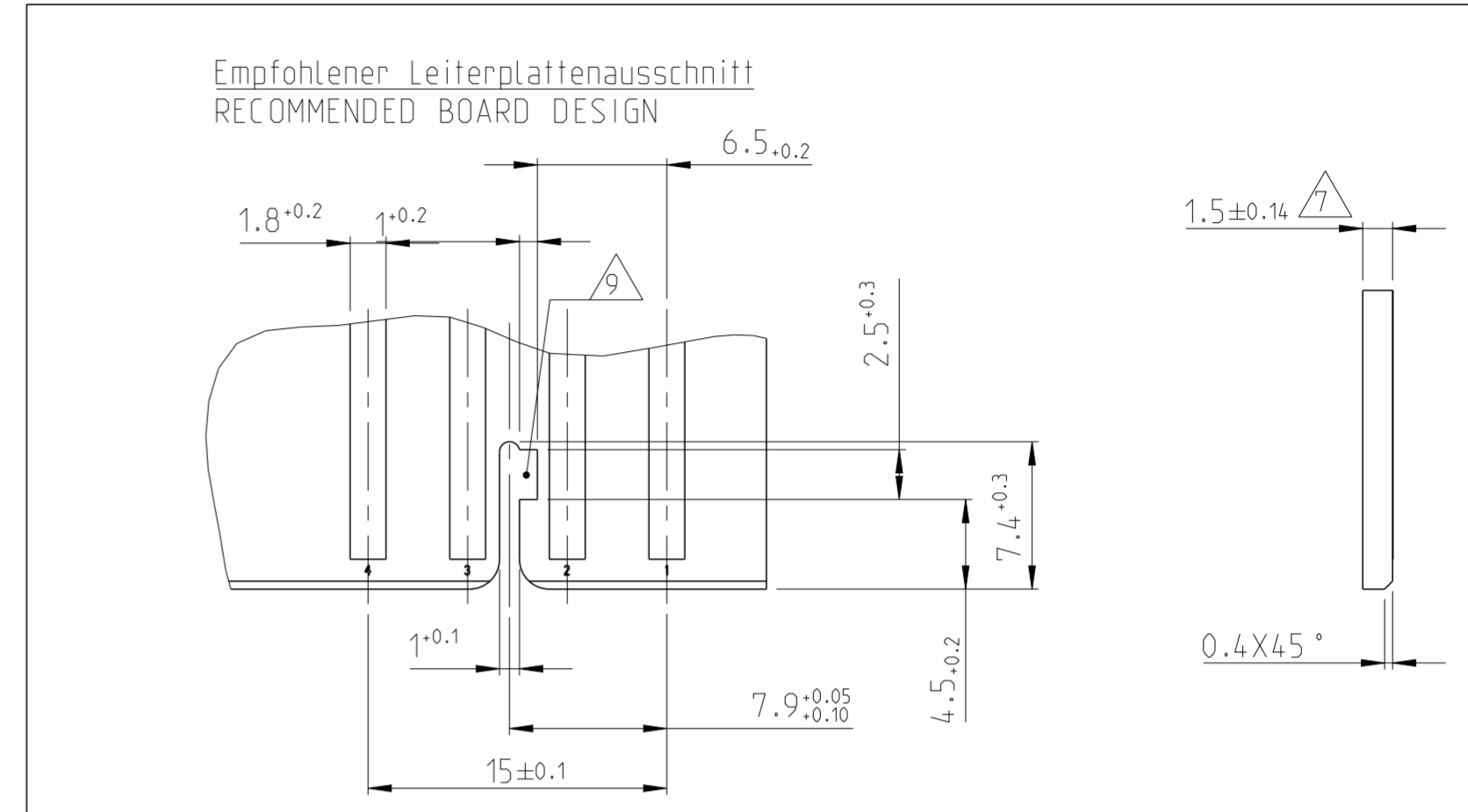


THIS DRAWING IS UNPUBLISHED. RELEASED FOR PUBLICATION
 © COPYRIGHT copyright_date BY - ALL RIGHTS RESERVED.

REVISIONS					
P	LTR	DESCRIPTION	DATE	DWN	APVD
1		PRELIMINARY RELEASE	01JUL2014	SS	RR



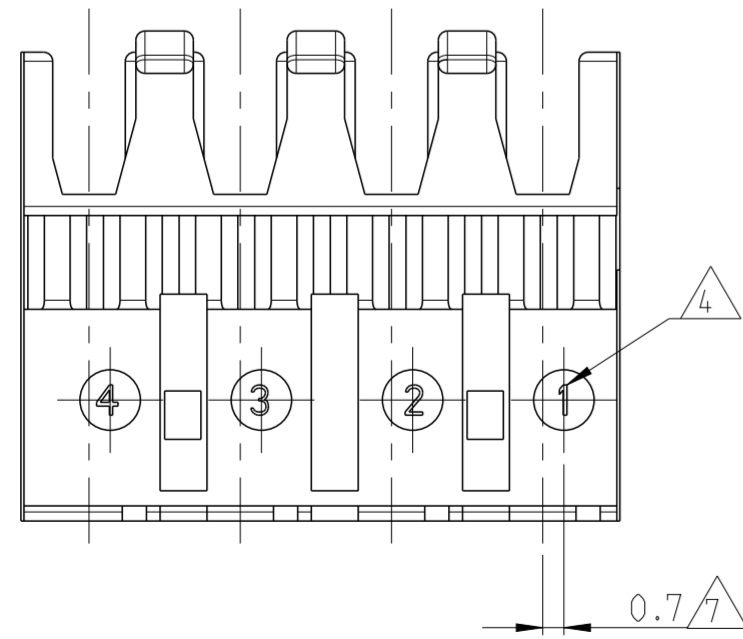
A-A



Bemerkungen / NOTES

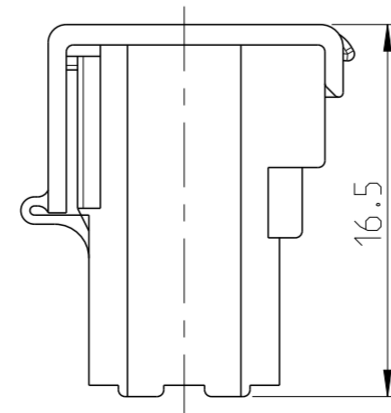
- 1 Massgebend ist der deutsche Text
ONLY THE GERMAN-LANGUAGE VERSION SHALL BE BINDING
- 2 Lage des Kontaktpunktes auf der Leiterplatte; Abweichung ±0.4
POSITION OF CONTACT POINT ON BOARD; DEVIATION ±0.4
- 3 Kontaktierung zur Drahtmitte um 0.7mm versetzt
CONTACTING 0.7mm DISPLACED TO WIRE CENTRELINE
- 4 Kontaktkammer-Nr.
CONTACT CAVITY #
- 5 Firmenlogo und Leergehäuse-Nr.
ARTWORK LOGO AND HOUSING # (NON LOADED)
- 6 Kodersteg zwischen Kammer Nr.1&2
KEYING RIB BETWEEN CAVITY Nr. 2 & 3
- 7 Ausführung nach DIN 60249-2-4
BOARD DESIGN ACCORDING TO DIN 60249-2-4
- 8 Crimp Kontakt-Nr.:
Material: CuSn4 926770-1, 926917-1
CRIMP CONTACT #:
MATERIAL: CuSn4
- 9 SQUARE HOLE 2X2 mm OPTIONAL LOCKING HOLE Ø2.5 mm
- 10 MATERIAL ACCORDING TO IEC 60335-1 (INCLUDING GWT 750 ° C NO FLAME)

1-1703092-1	10	MT-EDGE HOUSING	NATURE
PART-NO.:		DESCRIPTION	COLOUR



Schematische Darstellung des MT-Edge Gehäuses mit geschlossenem Deckel

SCHEMATIC DESCRIPTION OF MT-EDGE HOUSING WITH CLOSED LID



THIS DRAWING IS A CONTROLLED DOCUMENT.		DWN SUDHAKAR 01JUL2014	TE Connectivity		
DIMENSIONS: mm		CHK SUDHAKAR 01JUL2014			NAME
TOLERANCES UNLESS OTHERWISE SPECIFIED:		APVD RICCARDO 01JUL2014			
0 PLC ±	1 PLC ±0.2	PRODUCT SPEC	108-18003		
2 PLC ±	3 PLC ±	APPLICATION SPEC	114-18002		
4 PLC ±	ANGLES ±	WEIGHT	-		
FINISH		MATERIAL	10 PA6/UL94V-2		
		Customer Drawing		SIZE A2	
				CAGE CODE 00779	
				DRAWING NO C-1703092	
				RESTRICTED TO -	
				SCALE 4:1	
				SHEET 1 OF 1	
				REV 1	