

**SAFETY ORGANIZATIONS**

THIS FILTER HAS BEEN FORMALLY RECOGNIZED, CERTIFIED OR APPROVED BY THE LISTED AGENCY. THEREFORE, ALL TEST/REQUIREMENTS SPECIFIED IN THE LATEST REVISION OF THE FOLLOWING AGENCY STANDARDS HAVE BEEN MET:

- UL RECOGNIZED: UL 1283
- CSA CERTIFIED: CSA C22.2, No. 8.
- VOE APPROVED: EN 60939-2

**OPERATING SPECIFICATIONS**

LINE CURRENT/VOLTAGE: 16 AMP, 120/250 VAC,  
16 AMP/40°C, 250 VAC

LINE FREQUENCY: 50-60Hz

MAXIMUM LEAKAGE CURRENT,  
EACH LINE TO GROUND: 0.10 mA @ 120V 60Hz  
0.20 mA @ 250V 50Hz

OPERATING AMBIENT TEMP. RANGE: -10°C TO +40°C @ RATED CURRENT, I<sub>r</sub>.

IN AN AMBIENT, T<sub>a</sub>, HIGHER THAN 40°C, THE MAXIMUM OPERATING CURRENT, I<sub>o</sub>, IS AS FOLLOWS:

$$I_o = I_r \sqrt{\frac{100 - T_a}{60}}$$

**RELIABILITY SPECIFICATIONS:**

STORAGE TEMPERATURE: -40°C TO +100°C  
HUMIDITY: 21 DAYS @ 40°C 95% RH,  
CURRENT OVERLOAD TEST: 6 TIMES I<sub>r</sub> FOR  
8 SECONDS

**TEST SPECIFICATIONS:**

INDUCTANCE: 1.3 mH NOMINAL  
CAPACITANCE: (MEASURED @ 1KHz, 0.250VAC MAX., 25°C±1°C)  
LINE TO GROUND: 0.002µF ±20%  
LINE TO LINE: 0.471 µF ±20%  
DISCHARGE RESISTOR: 680K Ω  
LG AND LL I.R. NO DISCHARGE RESISTOR: 6000M Ω (MIN.) @ 100VDC,  
20°C AND 50% RH

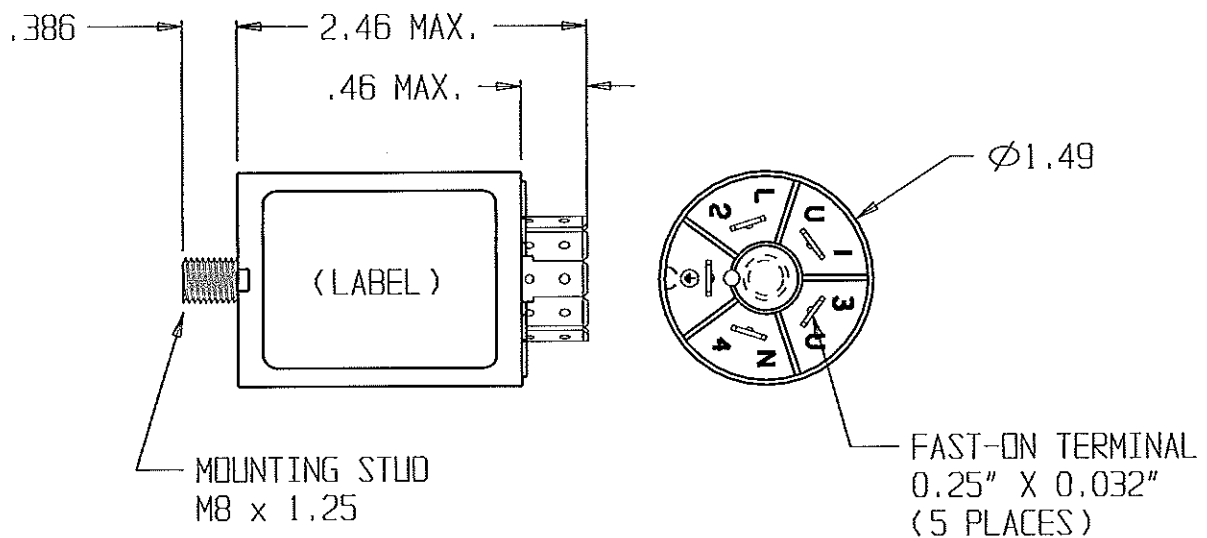
**RECOMMENDED RECEIVING INSPECTION HIPOT:**

LINE TO GROUND: 1500 VAC FOR 1 MINUTE  
LINE TO LINE: 1450 VDC FOR 1 MINUTE

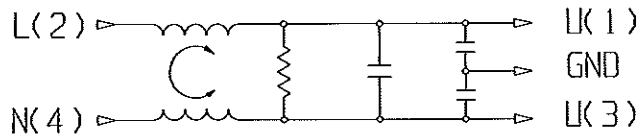
**FILTER APPROVAL:**

THE BEST WAY TO SELECT AND QUALIFY A FILTER IS FOR YOUR ENGINEERING TO TEST THE UNIT IN YOUR EQUIPMENT.

ECN #	APPRVD.	DATE
09-020711	<i>PJ</i>	18SEP09



SCHMATIC



50Ω - 50Ω (TYPICAL) INSERTION LOSS										THIRD ANGLE PROJECTION		Tyco Electronics <small>CORCON PRODUCTS, 620 S. BUTTERFIELD RD. HUNDELEIN IL 60060</small>					
FREQUENCY MHz	.05	.1	.15	.5	1	2	5	10	20	30	UNLESS OTHERWISE SPECIFIED, TOLERANCE TO BE ±.025 MATERIAL & FINISH: AS SUPPLIED		POWER LINE FILTER				
COMMON dB	12	17	21	27	30	32	35	40	46	52	This document is proprietary to CORCON INC and is not to be reproduced nor used for manufacturing purposes except on CORCON'S prior written consent.		TYCO ELECTRONICS PART NO: 4-6609089-7	SCALE: 0.75	DATE: 23FEB05	CATALOG NO.	REV.
DIFF. dB	16	23	25	36	44	50	62	62	60	52			DRW. BY: PJD	ORIG: PJD	16WGE1	2	