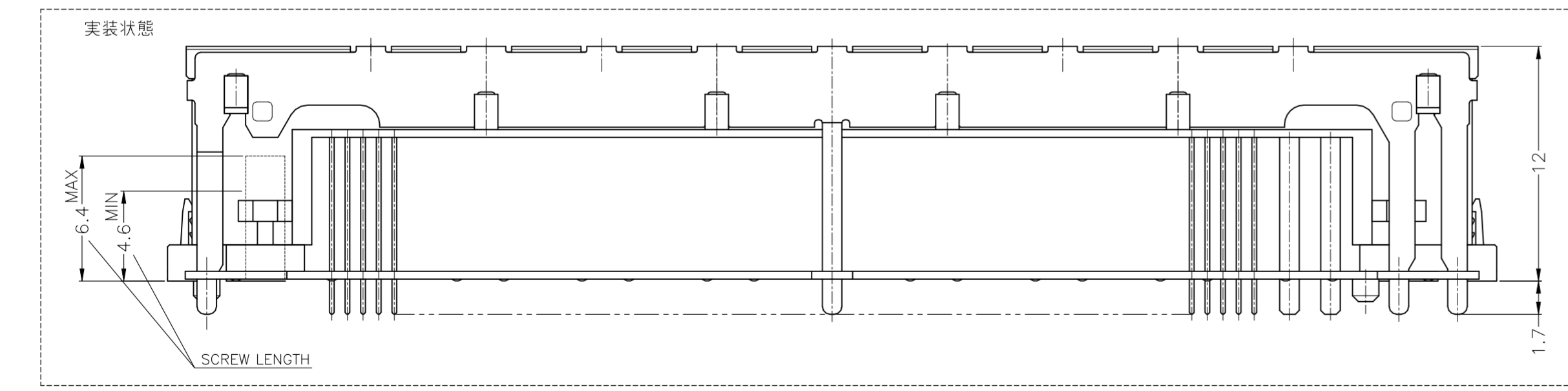
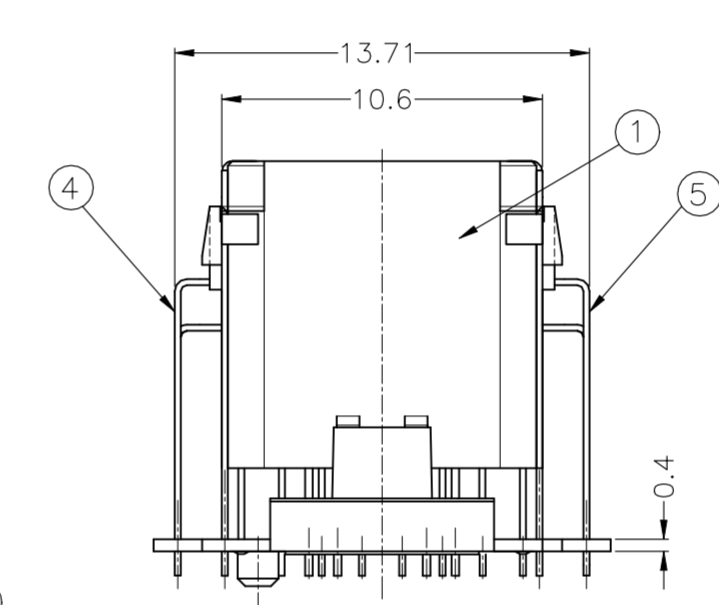
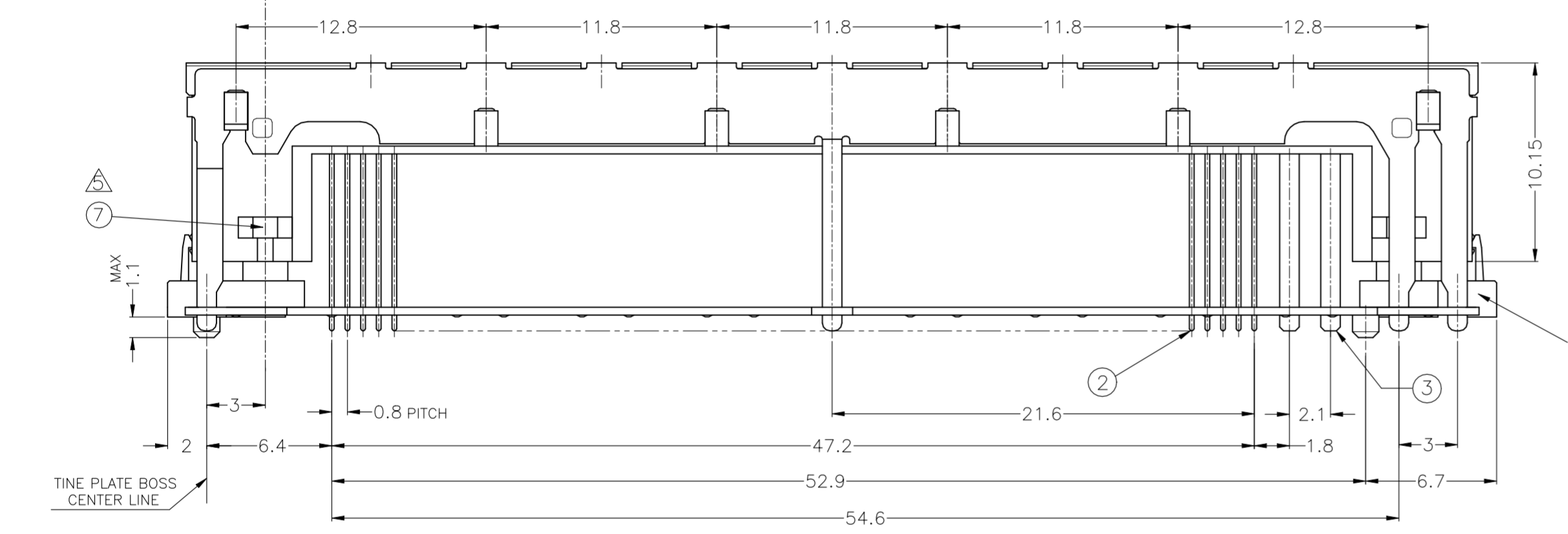
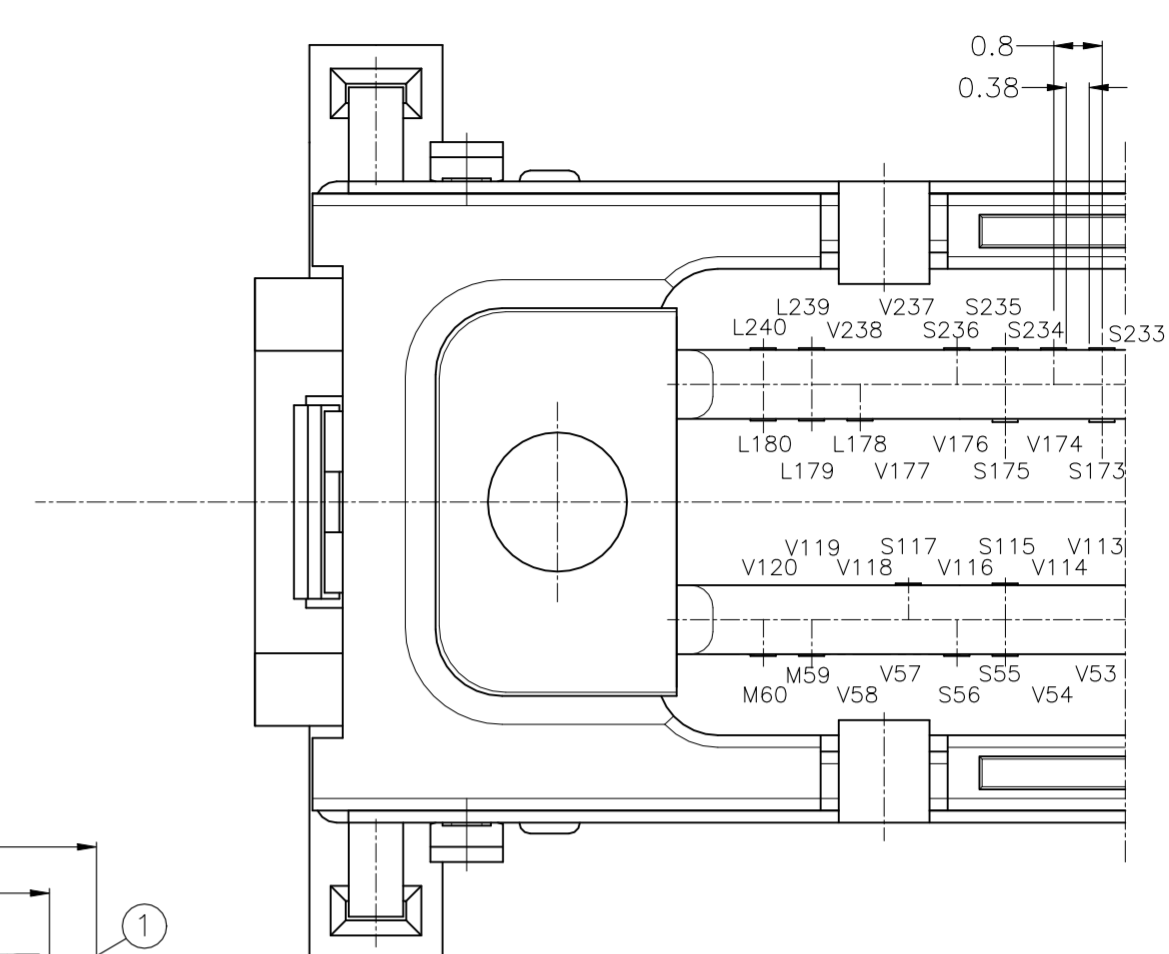
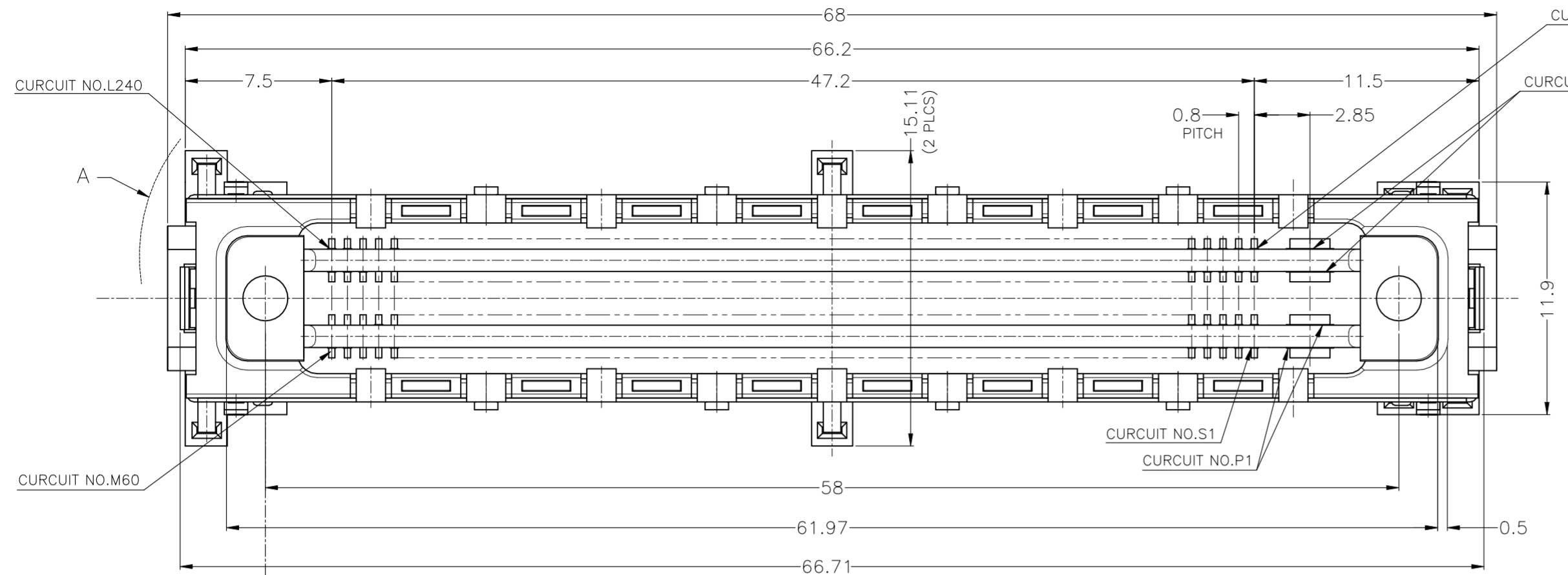


REVISIONS					
P	LTR	DESCRIPTION	DATE	DWN	APVD
E1		REVISED PER ECN-24-246486	12APR2024	AP	IT

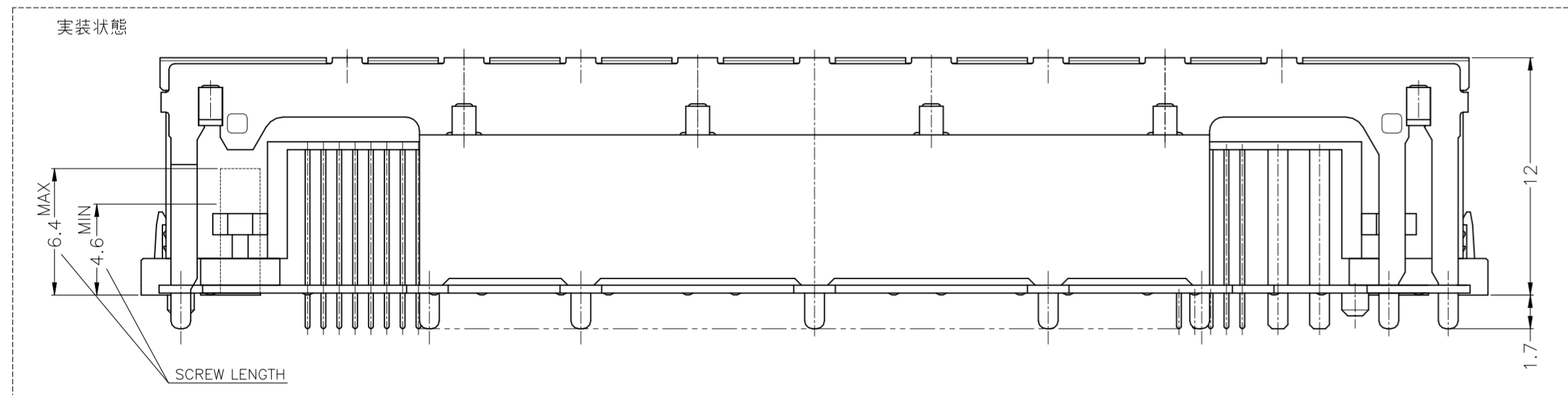
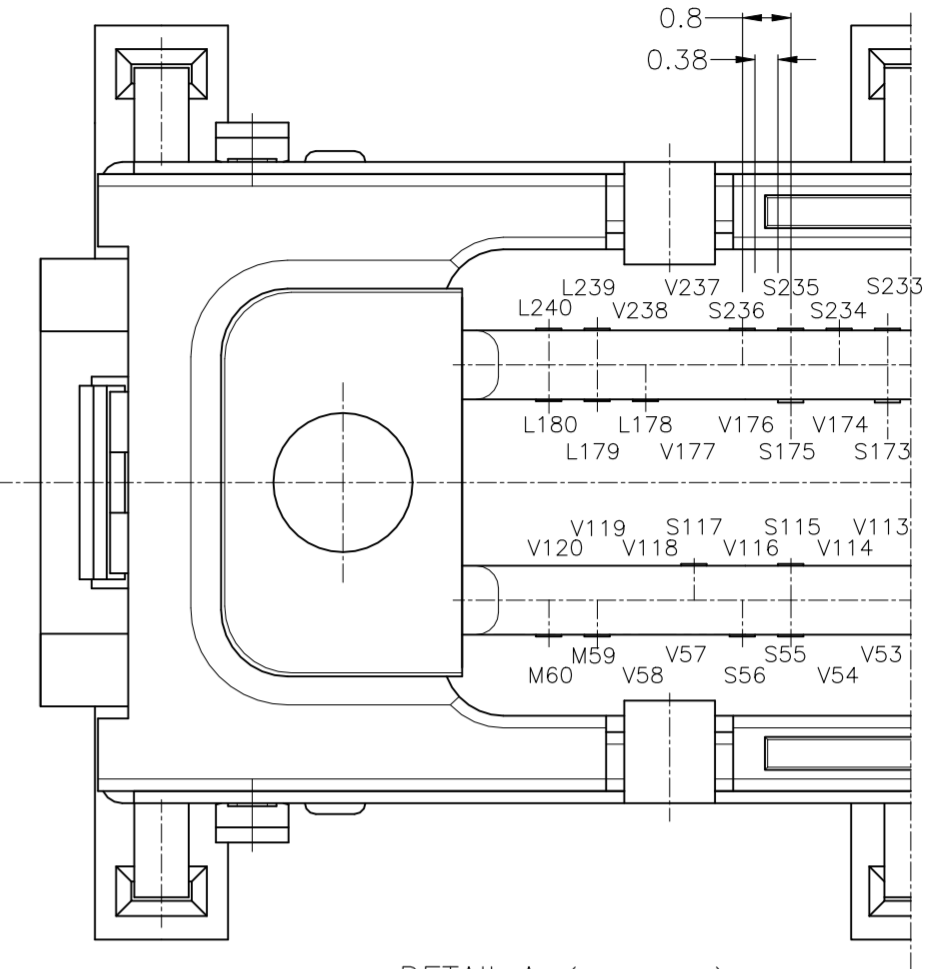
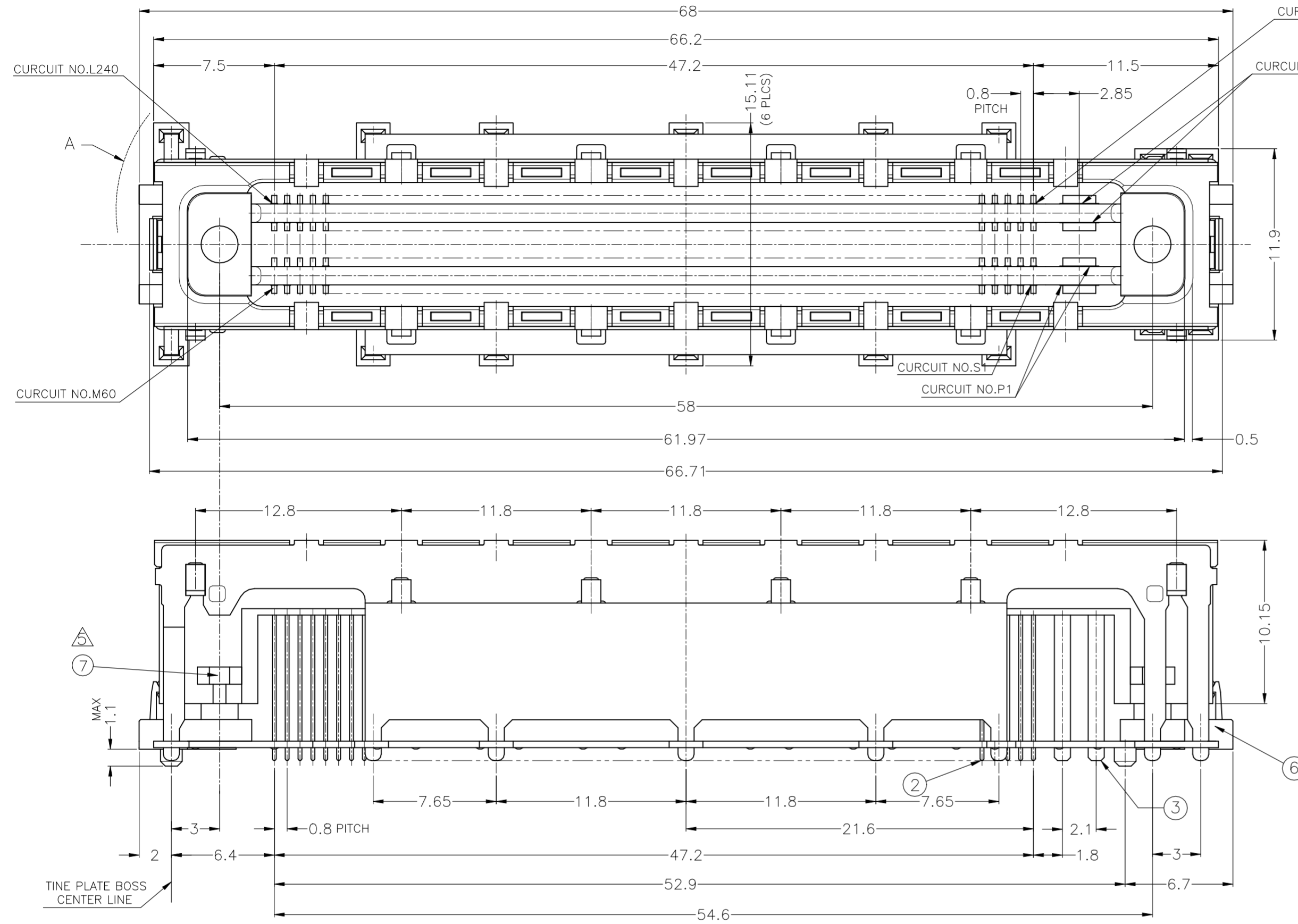


極数
 SIGNAL 218P
 MODEM 2P
 LAN 5P
 VOID 15P
 POWER 2P

THIS DRAWING IS A CONTROLLED DOCUMENT.		DWN A.KUBO 3SEP02	OBSOLETE	
DIMENSIONS: MM		CHK S.HASHIMOTO 3SEP02	H12	
TOLERANCES UNLESS OTHERWISE SPECIFIED: 8 PLC ± 10 ≥ ±0.2 1 PLC ± 30 ≥ 10 ±0.25 2 PLC ± 30 ≥ 10 ±0.25 3 PLC ± 100 ≥ 30 ±0.3 4 PLC ± 100 ≥ 30 ±0.3 ANGLES ± ±3°		APVD H.SHIRAI 3SEP02	2 NUT 7	
MATERIAL		PRODUCT SPEC 108-5742	1 TINE PLATE, TYPE-1 (FOR H12) 6	
FINISH		APPLICATION SPEC	1 G-PLATE RIGHT, TYPE-1 (FOR H12) 5	
①		WEIGHT 6.8 g(-1)	1 G-PLATE LEFT, TYPE-1 (FOR H12) 4	
②		CUSTOMER DRAWING	4 POWER CONTACT (FOR H12) 3	
		SCALE 4:1	225 SIGNAL CONTACT 2	
		SHEET 1 of 7	1 HSG B (FOR H12) 1	
		REV E1	-1 NAME ITEM NO.	

1674036-1; AS SHOWN
 SHEET 1 & 2

REVISIONS					
P	LTR	DESCRIPTION	DATE	DWN	APVD
-	-	SEE SHEET 1	-	-	-



極数
 SIGNAL 218P
 MODEM 2P
 LAN 5P
 VOID 15P
 POWER 2P

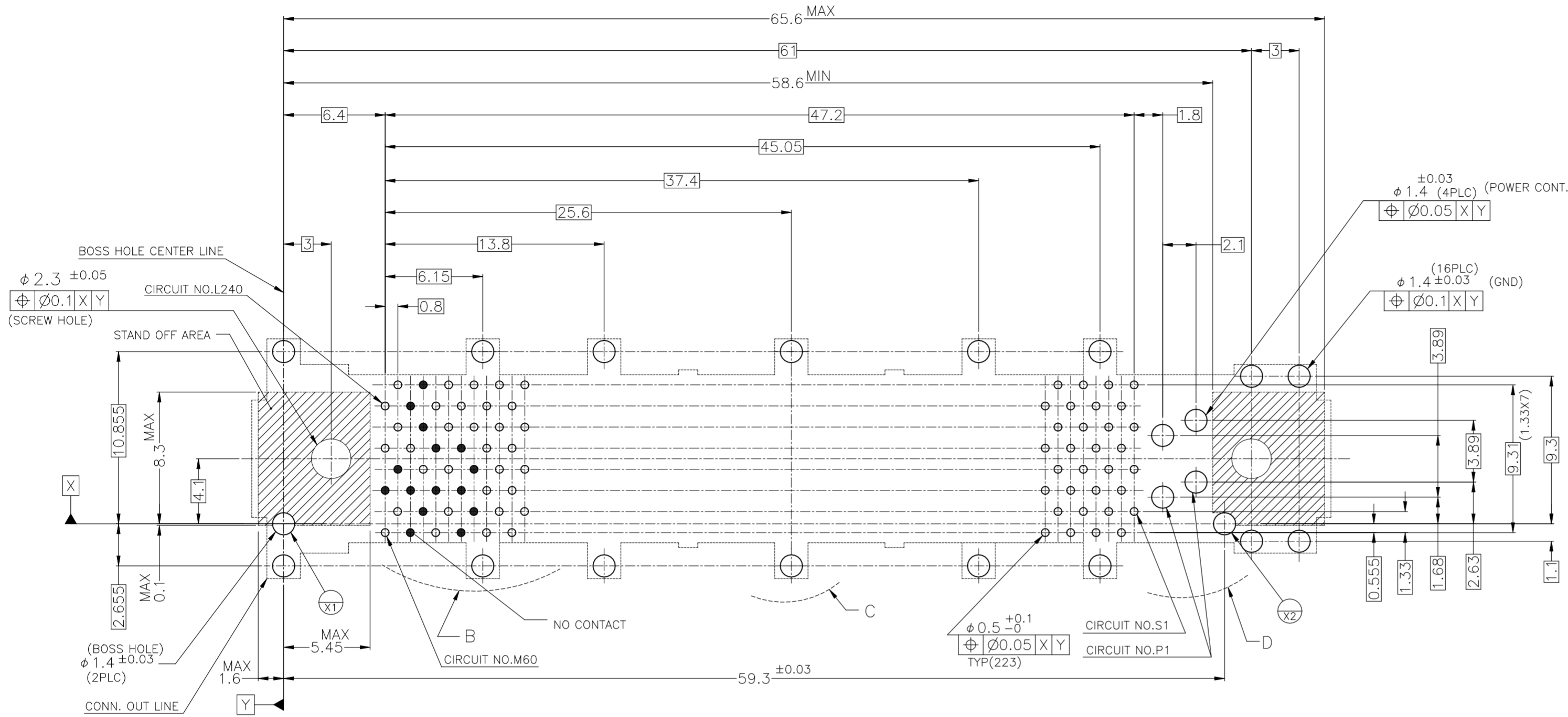
THIS DRAWING IS A CONTROLLED DOCUMENT.		DWN	-
DIMENSIONS: MM		CHK	-
TOLERANCES UNLESS OTHERWISE SPECIFIED:		APVD	-
8 PLC	$\pm 10 \geq \pm 0.2$	PRODUCT SPEC	-
1 PLC	$\pm 30 \geq 10: \pm 0.25$	APPLICATION SPEC	-
2 PLC	$\pm 100 \geq 30: \pm 0.3$	WEIGHT	8.3 g(-2)
3 PLC	$\pm 3'$	CUSTOMER DRAWING	-
4 PLC	$\pm 3'$	FINISH	-

OBSOLETE		
QTY	NAME	ITEM NO.
2	NUT	7
1	TINE PLATE, TYPE-2 (FOR H12)	6
1	G-PLATE RIGHT, TYPE-2 (FOR H12)	5
1	G-PLATE LEFT, TYPE-2 (FOR H12)	4
4	POWER CONTACT (FOR H12)	3
225	SIGNAL CONTACT	2
1	HSG B (FOR H12)	1
-2	NAME	ITEM NO.

TE Connectivity Ltd.		NAME	
		0.8 DOCKING CONNECTOR PLUG (240P + POWER 2P)	
SIZE	CAGE CODE	DRAWING NO	RESTRICTED TO
A2	00779	C=1674036	-
SCALE 4:1		SHEET 3 OF 7	REV E1

1674036-2; AS SHOWN
 SHEET 3 & 4

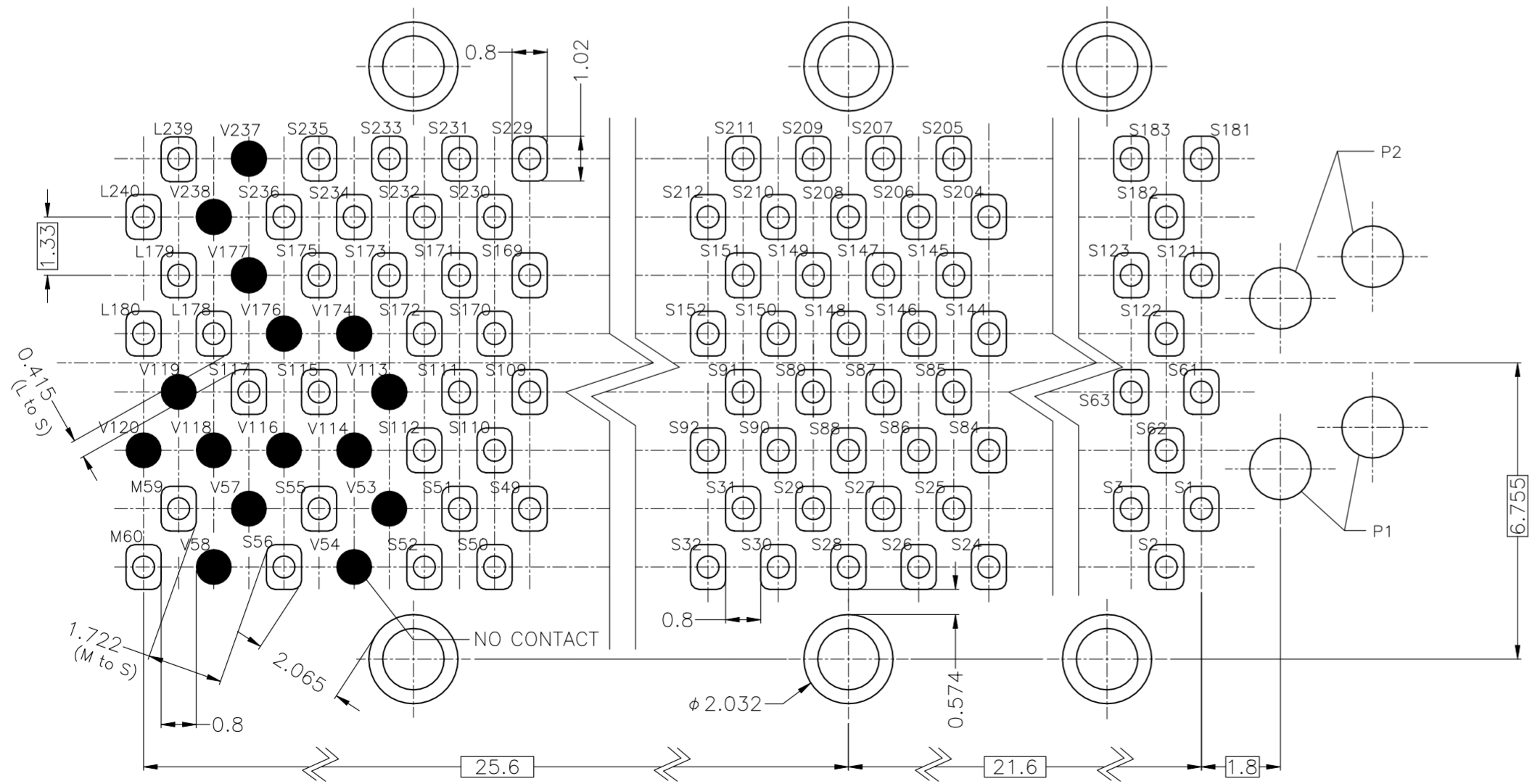
REVISIONS					
P	LTR	DESCRIPTION	DATE	DWN	APVD
-	-	SEE SHEET 1	-	-	-



P.C. BOARD LAYOUT

- 注記
- ① 材質
 ハウジング : 熱可塑性樹脂 UL94V-0, 黒
 タイムプレート : 熱可塑性樹脂 UL94V-0, 黒
 シグナルコンタクト : 銅合金
 パワーコンタクト : 銅合金
 グランドプレート : 銅合金
 ナット : ステンレス鋼
 - ② 仕上
 シグナルコンタクト & パワーコンタクト :
 ニッケル下地接点部金めっき、はんだ付け部はんだめっき
 グランドプレート : 銅下地すずめっき(リフロー)
 - ③ 適用基板厚 : 1.2±0.1mm
 - ④ かん合相手型番 : 1674037-1, -2
 - ⑤ 推奨ねじ締め付けトルク : 0.15N・m(1.5kgf・cm)から0.2N・m(2kgf・cm)

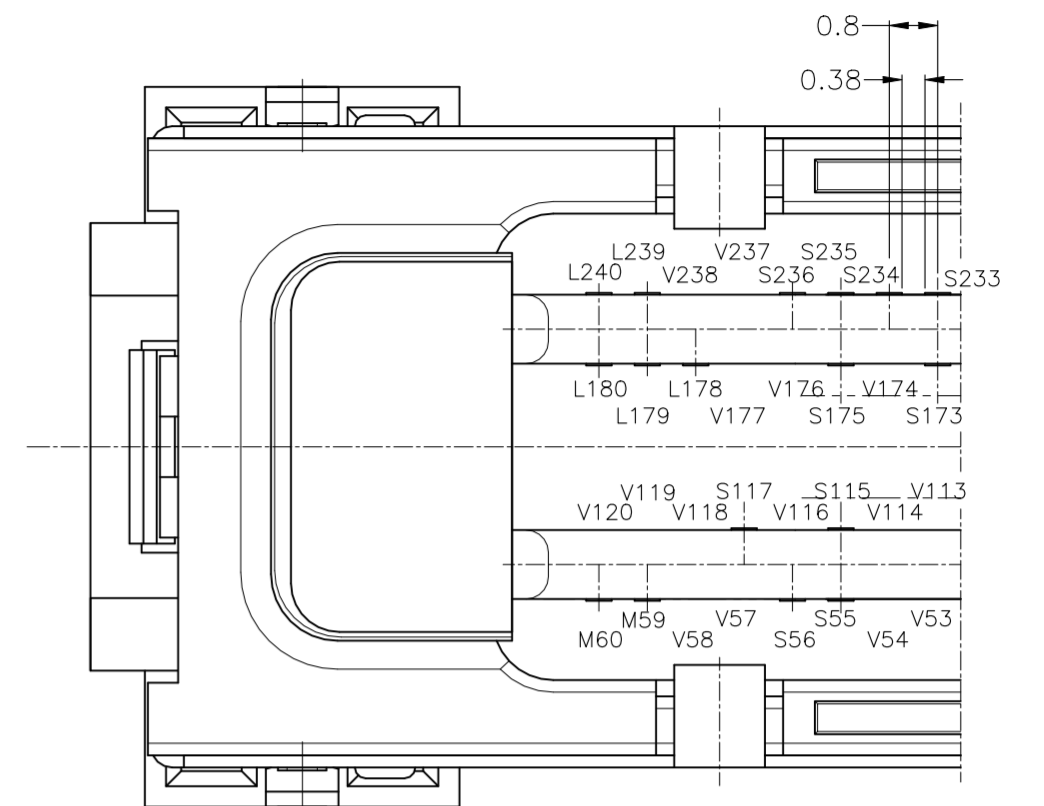
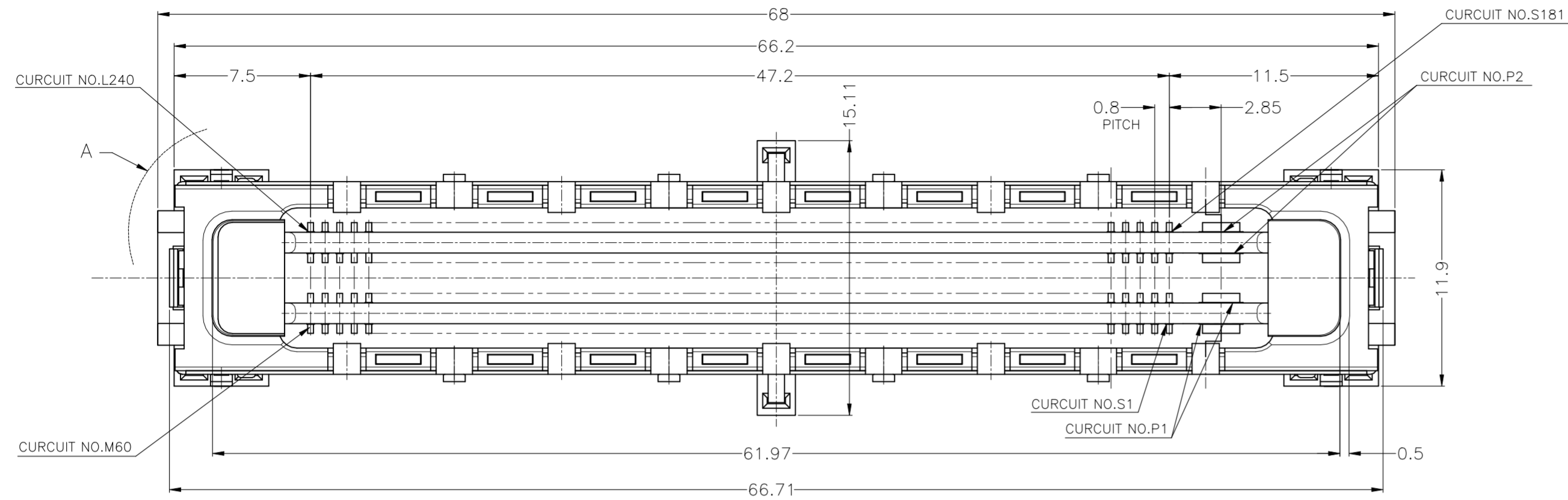
- NOTE
- ① MATERIAL
 HOUSING : THERMOPLASTIC, UL94V-0, BLACK
 TIME PLATE : THERMOPLASTIC, UL94V-0, BLACK
 SIGNAL CONTACT: COPPER ALLOY
 POWER CONTACT : COPPER ALLOY
 GROUND PLATE : COPPER ALLOY
 NUT : STAINLESS STEEL
 - ② FINISH
 SIGNAL CONTACT & POWER CONTACT
 Au PI. ON CONTACT AREA
 Tin-LEAD PI. ON SOLDER AREA
 Ni UNDER PI. ALL OVER
 GROUND PLATE
 Tin PI. ALL OVER (REFLOW)
 Cu UNDER PI. ALL OVER
 - ③ APPLICABLE THICKNESS OF P.C.BOARD : 1.2±0.1mm
 - ④ CONNECTOR TO BE MATED : 1674037-1, -2
 - ⑤ RECOMMENDED TIGHTENING TORQUE : FROM 0.15N・m(1.5kgf・cm) TO 0.2N・m(2kgf・cm)



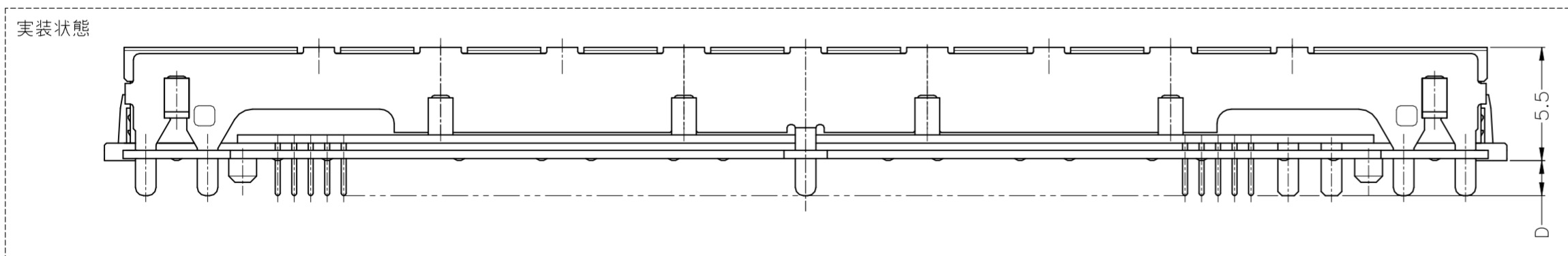
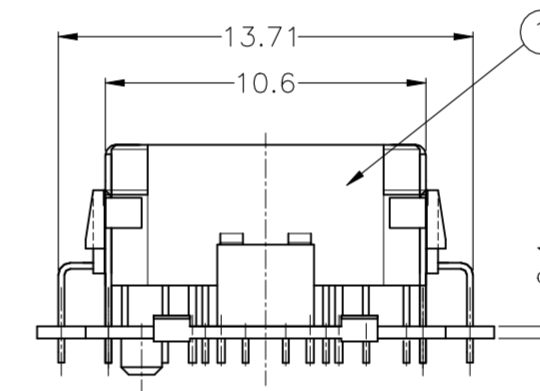
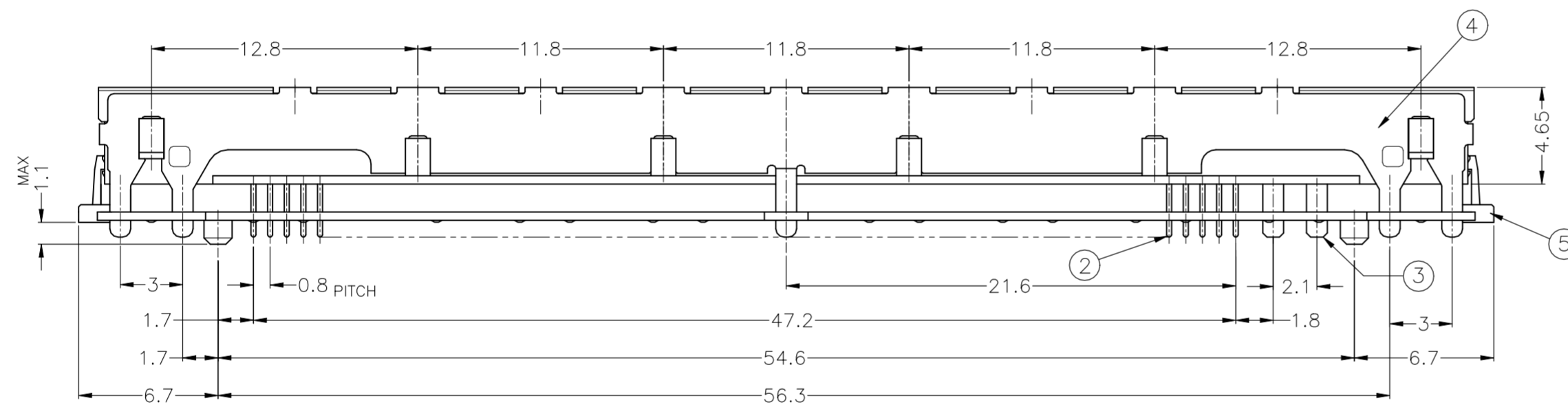
DETAIL B (SCALE 8:1) DETAIL C (SCALE 8:1) DETAIL D (SCALE 8:1)

THIS DRAWING IS A CONTROLLED DOCUMENT.		DWN	TE Connectivity Ltd.	
DIMENSIONS: MM		CHK	NAME	
TOLERANCES UNLESS OTHERWISE SPECIFIED		APVD	0.8 DOCKING CONNECTOR PLUG (240P + POWER 2P)	
0 PLC ±	1 PLC ±	PRODUCT SPEC	SIZE	CAGE CODE
2 PLC ±	3 PLC ±	APPLICATION SPEC	A2	00779
4 PLC ±	ANGLES ±	WEIGHT	DRAWING NO	RESTRICTED TO
MATERIAL FINISH		CUSTOMER DRAWING	C=1674036	
		SCALE	SHEET	REV
		4:1	4 of 7	E1

REVISIONS					
P	LTR	DESCRIPTION	DATE	DWN	APVD
-	-	SEE SHEET 1	-	-	-



DETAIL A (SCALE 8:1)
(CONTACT POS. NO. ASSIGN, H12 IS EQUAL TO H5.5)



極数
SIGNAL 218P
MODEM 2P
LAN 5P
VOID 15P
POWER 2P

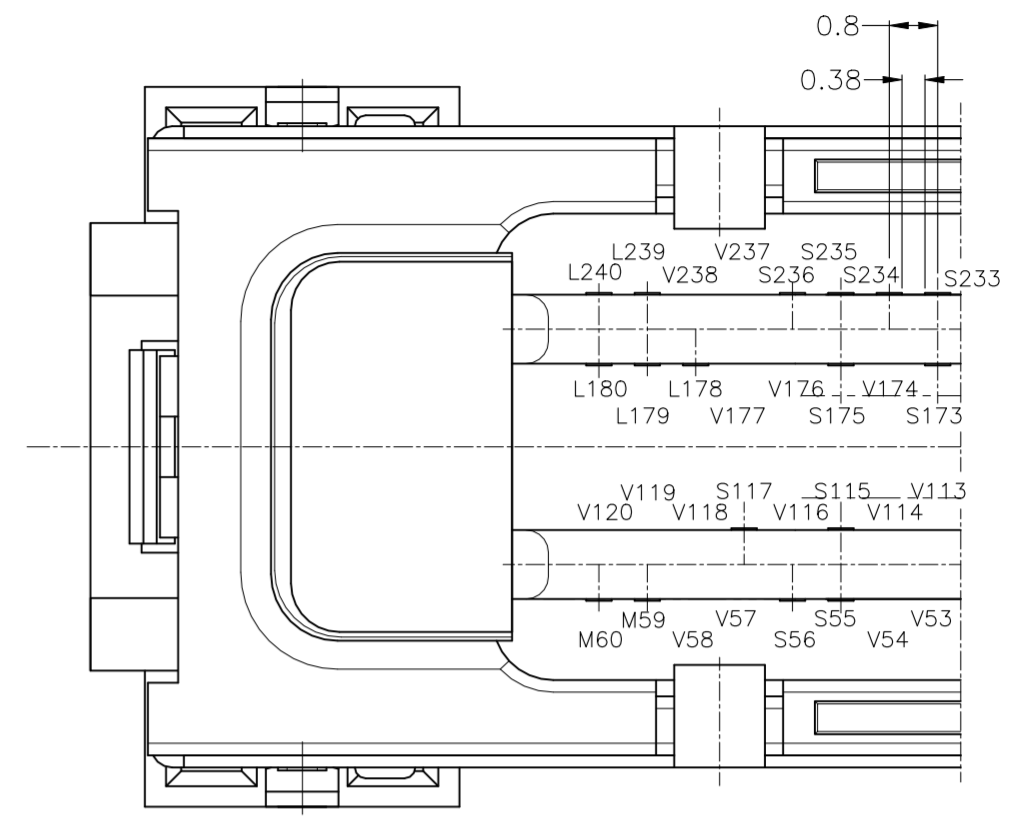
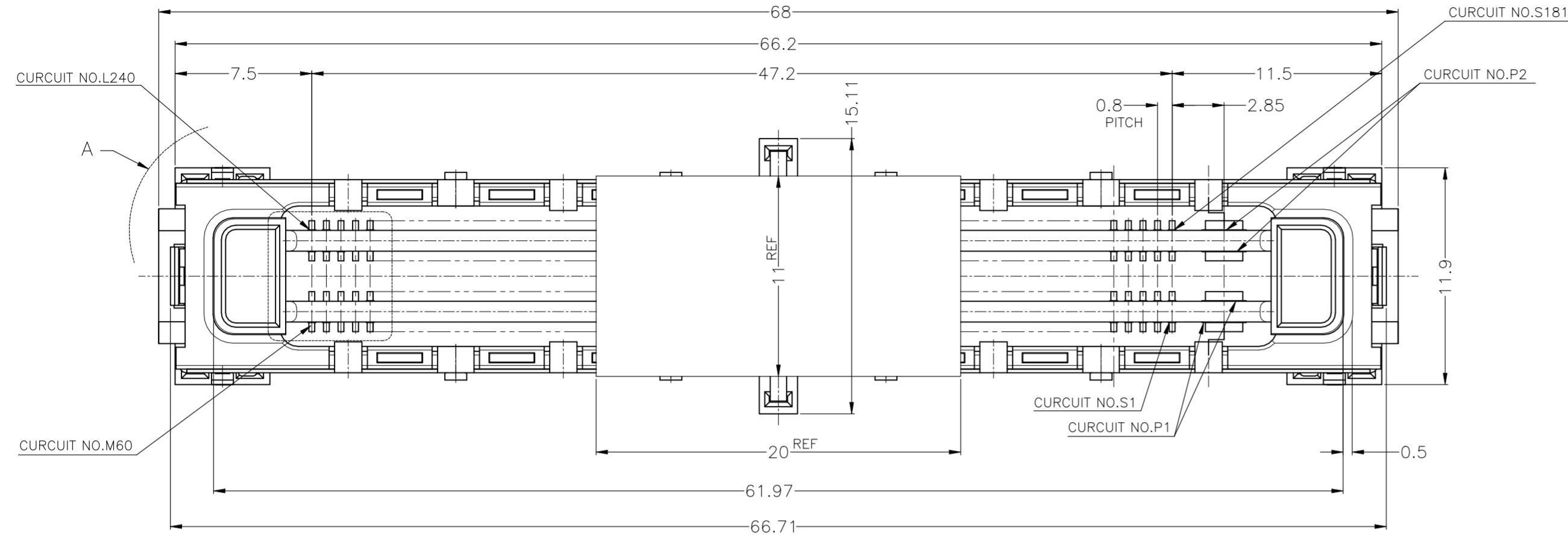
ITEM NO.	NAME	QTY
H5.5		
1	TINE PLATE (FOR H5.5)	5
2	G-PLATE (FOR H5.5)	4
4	POWER CONTACT (FOR H5.5)	3
225	SIGNAL CONTACT	2
1	HSG A (FOR H5.5)	1
1- -1		

1-1674036-1; AS SHOWN
SHEET 5 & 7

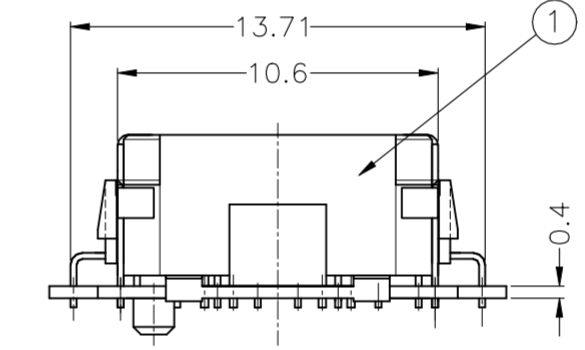
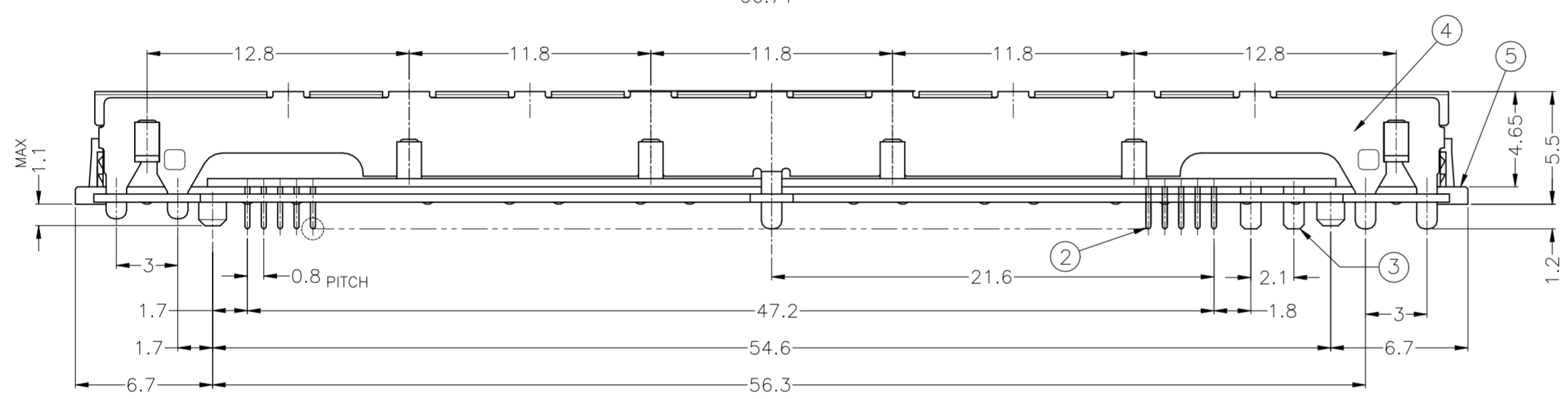
GENERAL TOLERANCE	一般公差
10 ≥ ±0.2	
30 ≥ >10: ±0.25	
100 ≥ >30: ±0.3	
ANGLES: ±3°	

THIS DRAWING IS A CONTROLLED DOCUMENT.		DWN	-	TE Connectivity Ltd.	
DIMENSIONS: MM		CHK	-	NAME	
TOLERANCES UNLESS OTHERWISE SPECIFIED:		APVD	-	0.8 DOCKING CONNECTOR PLUG (240P + POWER 2P)	
8 PLC ± 10 ≥ ±0.2		PRODUCT SPEC	-	SIZE	A2
1 PLC ± 30 ≥ >10: ±0.25		APPLICATION SPEC	-	CAGE CODE	00779
2 PLC ± 100 ≥ >30: ±0.3				DRAWING NO	C=1674036
3 PLC ± 100 ≥ >30: ±0.3				RESTRICTED TO	
4 PLC ANGLES ± ±3°				WEIGHT	5.1 g(1- -1)
MATERIAL				CUSTOMER DRAWING	
FINISH				SCALE	4:1
				SHEET	5 of 7
				REV	E1

P	LTR	DESCRIPTION	DATE	DWN	APVD
-	-	SEE SHEET 1	-	-	-



DETAIL A (SCALE 8:1)
(CONTACT POS. NO. ASSIGN, H12 IS EQUAL TO H5.5)



極数
 SIGNAL 218P
 MODEM 2P
 LAN 5P
 VOID 15P
 POWER 2P

ITEM NO.	NAME	ITEM NO.
H5.5		
1	TINE PLATE (FOR H5.5)	5
2	G-PLATE (FOR H5.5)	4
4	POWER CONTACT (FOR H5.5)	3
225	SIGNAL CONTACT	2
1	HSG A (FOR H5.5)	1
1- -2		

1-1674036-2 ; AS SHOWN
 SHEET 6 & 7

GENERAL TOLERANCE
 一般公差

10	±0.2
30 ≥	>10: ±0.25
100 ≥	>30: ±0.3
ANGLES: ±3°	

THIS DRAWING IS A CONTROLLED DOCUMENT.

DIMENSIONS: MM	TOLERANCES UNLESS OTHERWISE SPECIFIED:	DWN	TE Connectivity Ltd.	
	8 PLC ± 10 ≥ ±0.2 1 PLC ± 30 ≥ >10: ±0.25 2 PLC ± 100 ≥ >30: ±0.3 3 PLC ± 100 ≥ >30: ±0.3 4 PLC ± 100 ≥ >30: ±0.3 ANGLES ± ±3°	CHK	NAME	
	MATERIAL	APVD	0.8 DOCKING CONNECTOR PLUG (240P + POWER 2P)	
	FINISH	PRODUCT SPEC	SIZE	CAGE CODE
		APPLICATION SPEC	A2	00779
WEIGHT 5.1 g(1- -1)		APVD	DRAWING NO	
CUSTOMER DRAWING		SCALE	4:1	
		SHEET	6 OF 7	
		REV	E1	

