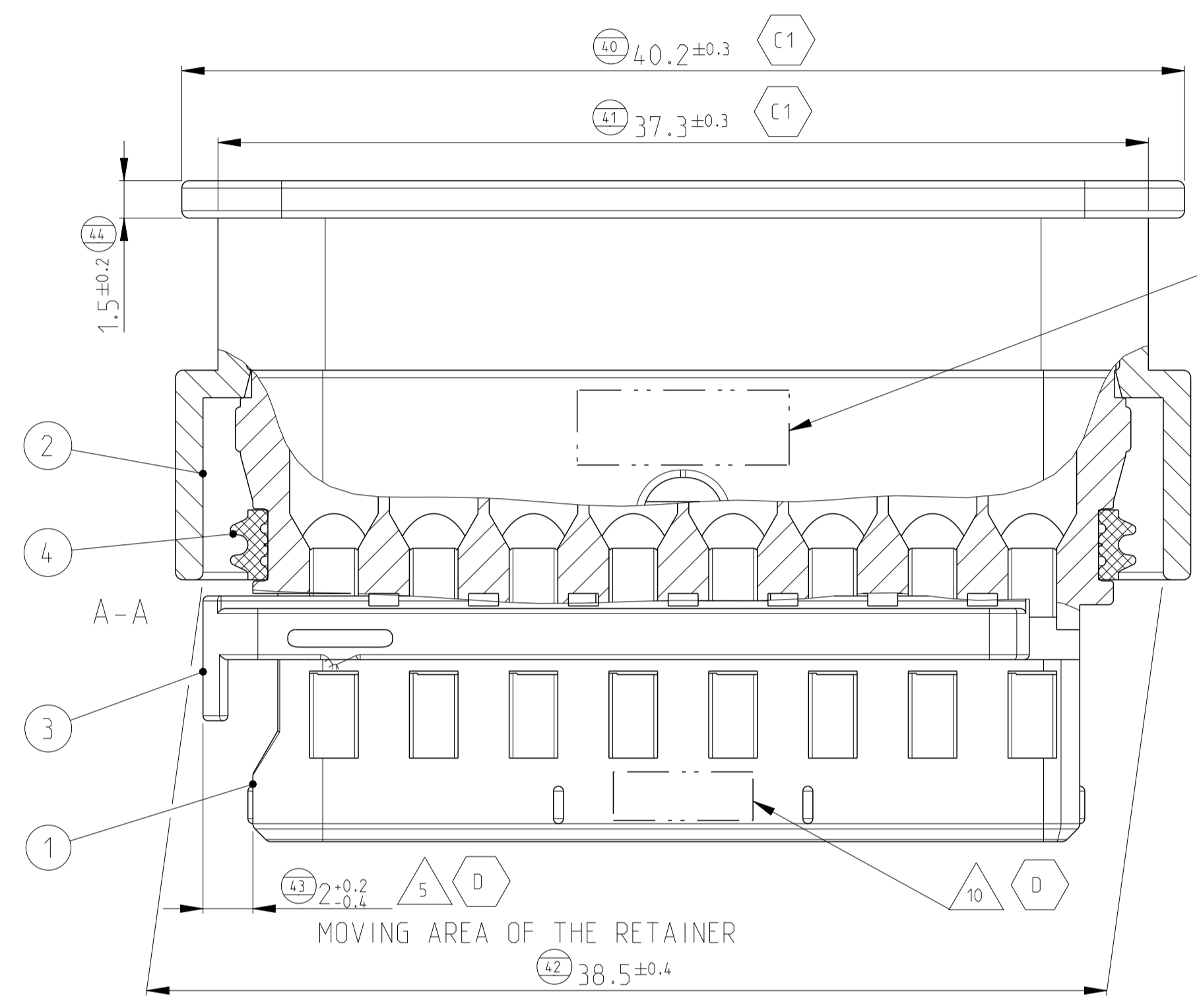
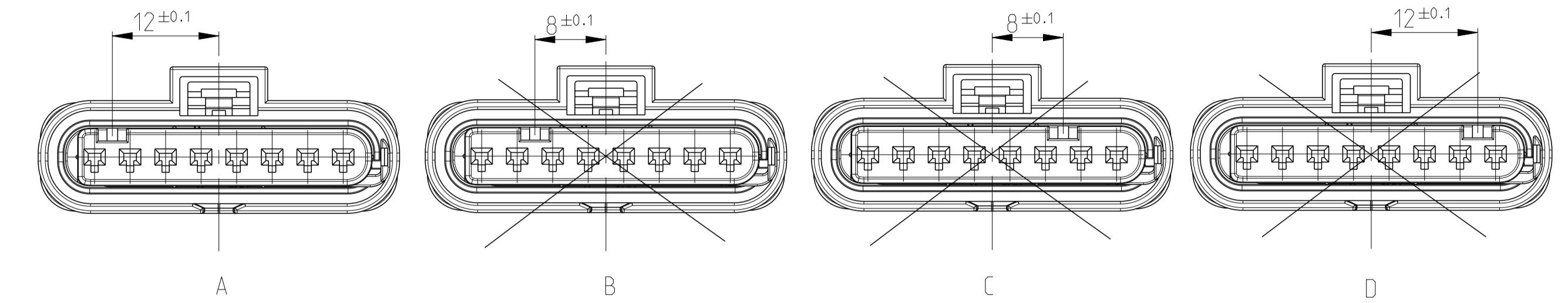
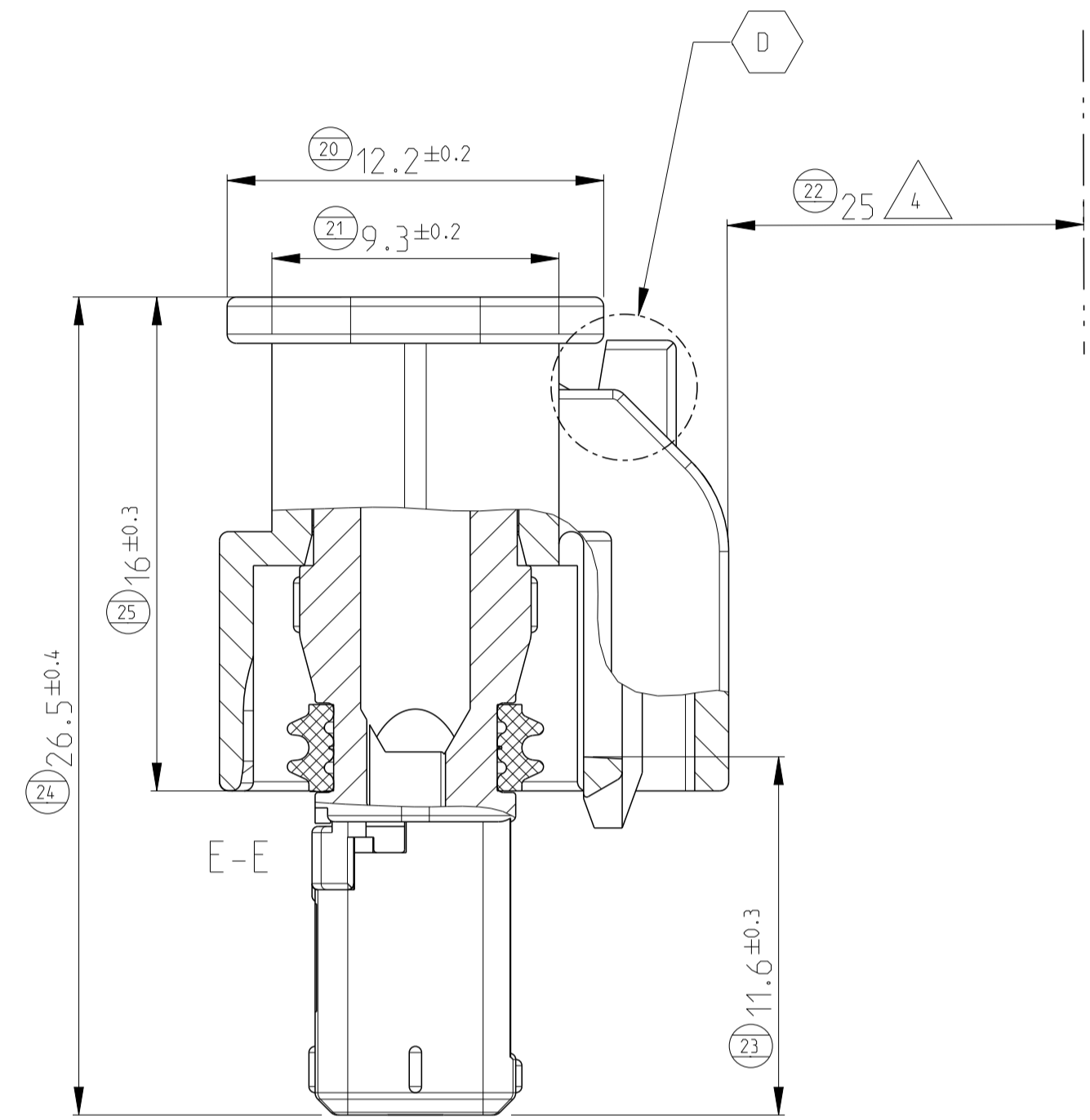
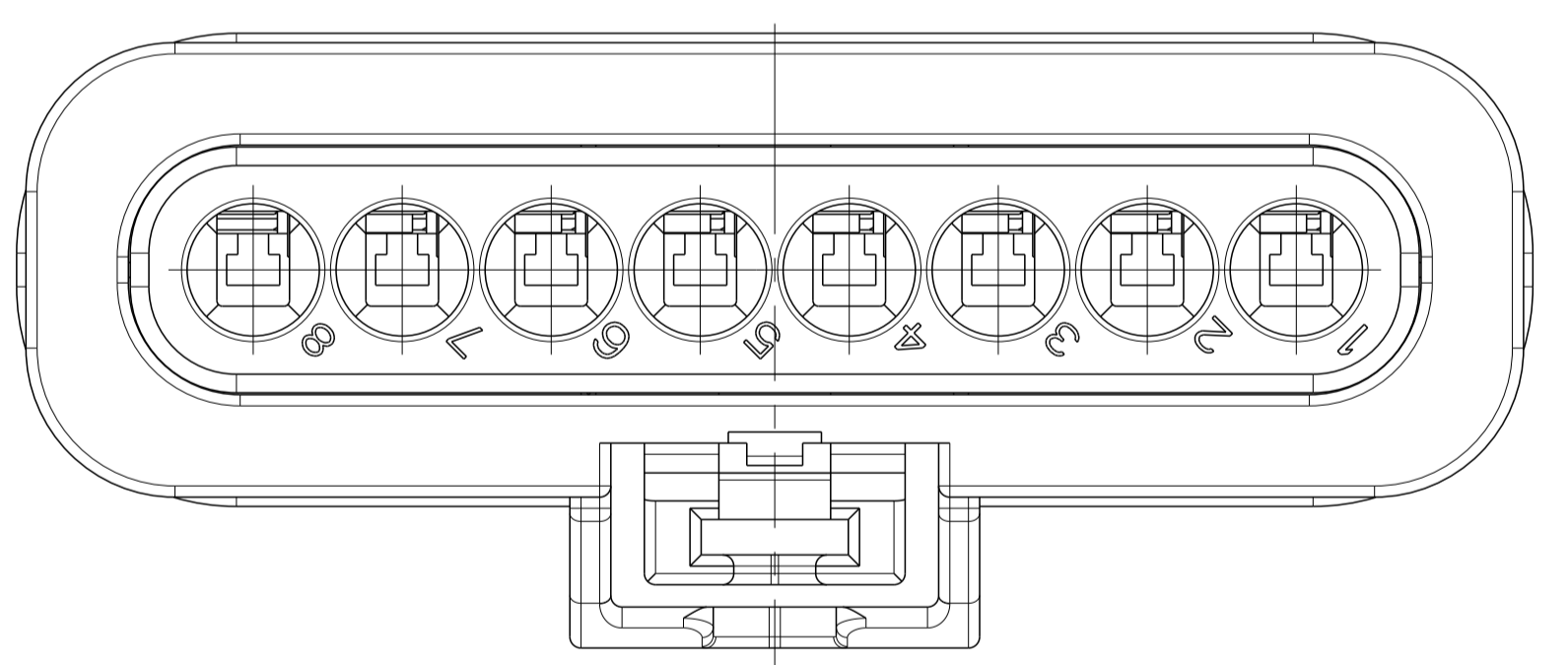
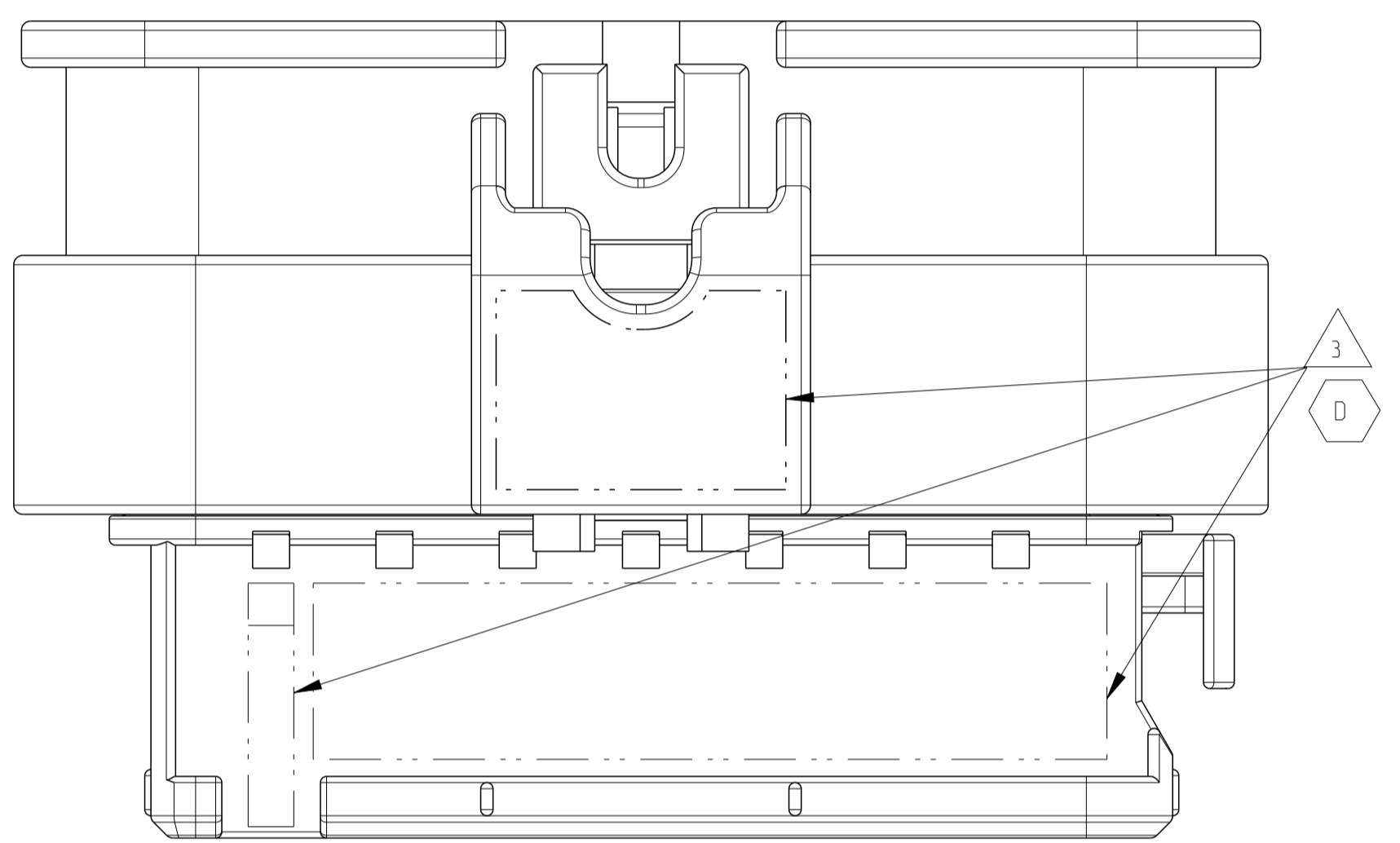
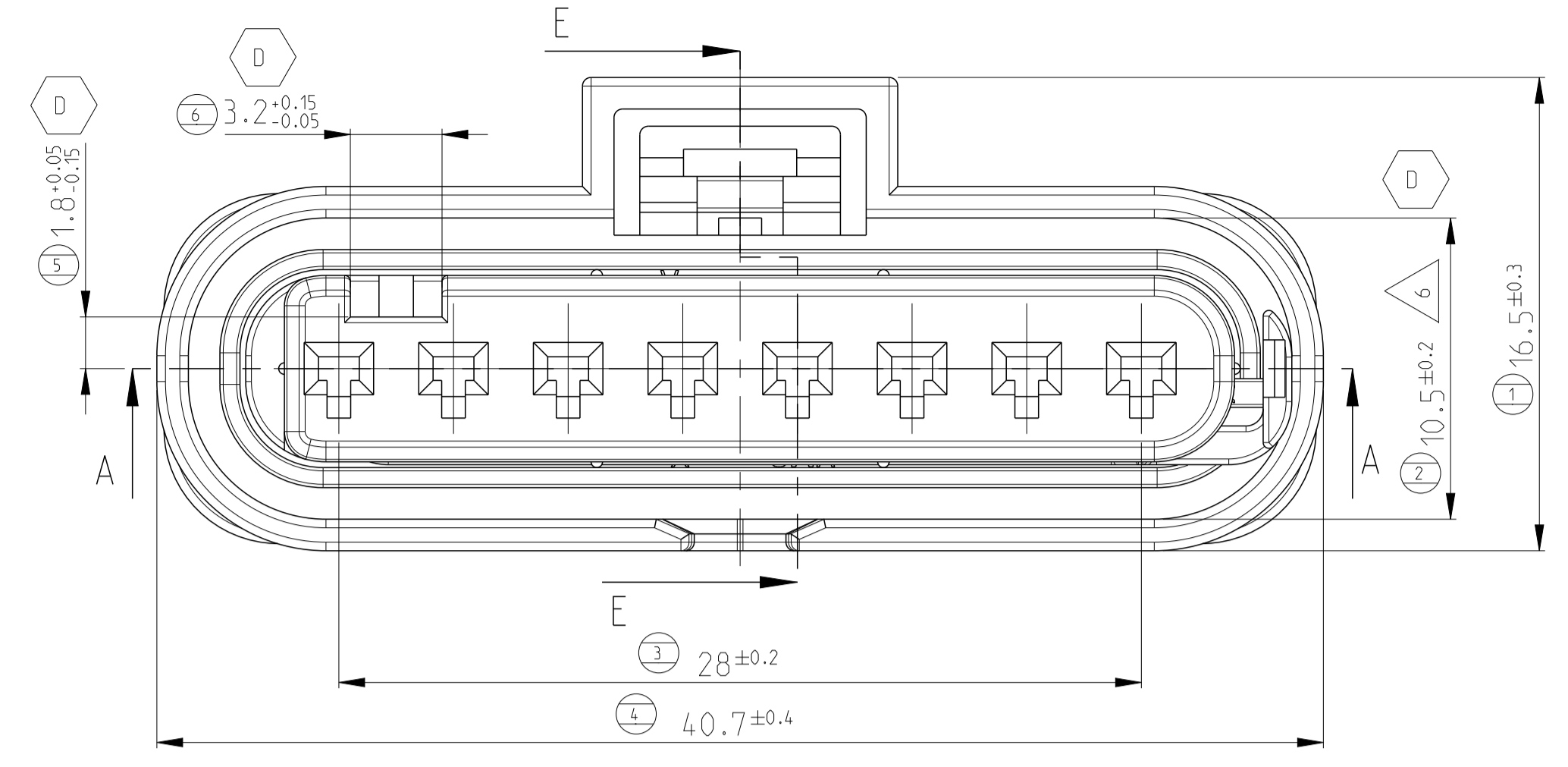


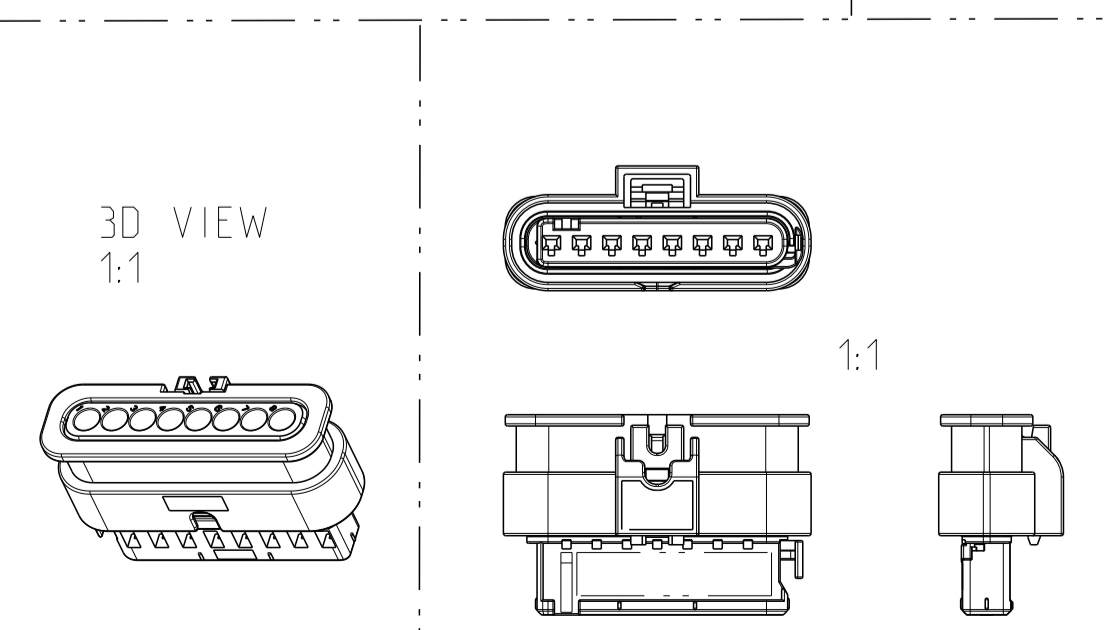
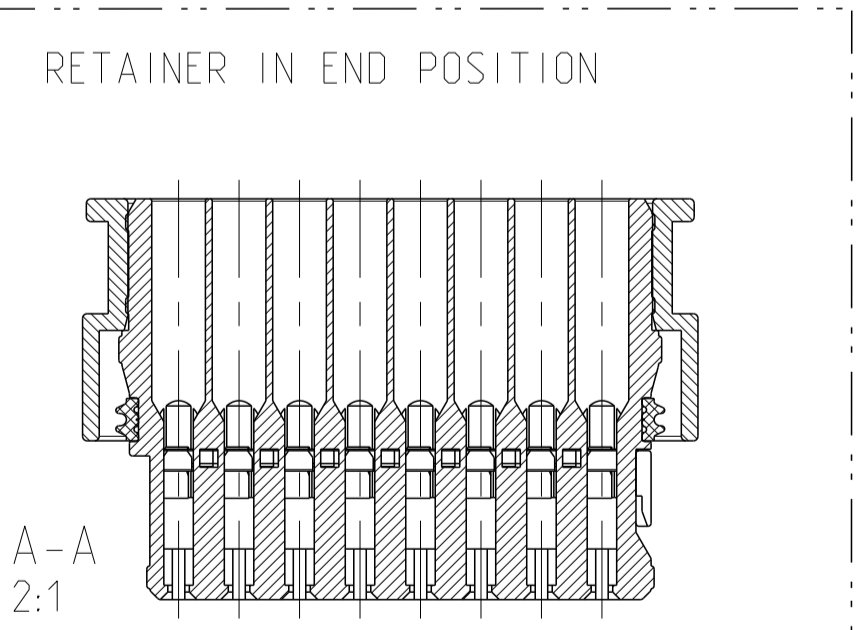
REVISIONS				
P.	LTN	DESCRIPTION	DATE	DMN APVD
B1		SEE ECR 09-022843	200C12009	HKE ASC
C		SEE ECR-10-018119	31AUG2010	CLA ASC
C1		TOLERANCE VALUES UPDATES	08NOV2017	GK SZN
D		OUTHER HSG DESIGN UPDATED	13OCT2020	GR SZN



PRINT 9 D
 X-XXXXXXX-X

- NOTES: D
- USABLE CONTACTS MCON 1.2 SEE TE-NO. 1452674. VERSION SINGLE WIRE SEAL
 - MAX. WIRE SIZE RANGE 1.0 mm² FLR PERMITTED FOR CAVITY-Ø 3.55MM QUANTITY SEE WIRE HARNESS DRAWING FOR PERMISSIBLE CURRENT CARRYING CAPACITY OF THE SINGLE CONTACT SEE PRODUCT SPECIFICATION NO.108-18782
 - TE RELEVANT IDENTIFICATION AND TRACKING NUMBERS
 - SPACE OF ACTIVITY
 - SUPPLY CONDITION: RETAINER IN PRELOCKED POSITION
 - WARPAGE PERMITTED TO MAX. -0.5mm
 - TE ORDER-NO.
 - ACCORDING TO INTERFACE DRAWING SEE TE-NO. 114-18679-3
 - AREA FOR PRINT WITH CUSTOMER RELEVANT MARKING
 - TE TRADEMARK

TE-ORDER-NO.	COD	TITLE	REV	QTY	TITLE	MATERIAL	SURFACE/COLOUR	ITEM
4-1670920-1	D	8pos. MCON 1.2 - LL Connector. Sealed	C	1	8pos. MCON 1.2 - Seal	MVQ	NATURE	4
				1	8pos. MCON 1.2 - Retainer	PA66-GF15	VIOLETT SIML. RAL 4006	3
				1	8pos. MCON 1.2 - Protec. Cover	PA6-GF15	BLACK RAL 9011	2
				1	8pos. MCON 1.2 - Rec. Hsg.	PA66-GF30	VIOLETT SIML. RAL 4004	1
3-1670920-1	C	8pos. MCON 1.2 - LL Connector. Sealed	C	1	8pos. MCON 1.2 - Seal	MVQ	NATURE	4
				1	8pos. MCON 1.2 - Retainer	PA66-GF15	VIOLETT SIML. RAL 4006	3
				1	8pos. MCON 1.2 - Protec. Cover	PA6-GF15	BLACK RAL 9011	2
				1	8pos. MCON 1.2 - Rec. Hsg.	PA66-GF30	BLUE SIML. RAL 5012	1
2-1670920-1	B	8pos. MCON 1.2 - LL Connector. Sealed	C	1	8pos. MCON 1.2 - Seal	MVQ	NATURE	4
				1	8pos. MCON 1.2 - Retainer	PA66-GF15	VIOLETT SIML. RAL 4006	3
				1	8pos. MCON 1.2 - Protec. Cover	PA6-GF15	BLACK RAL 9011	2
				1	8pos. MCON 1.2 - Rec. Hsg.	PA66-GF30	NATURE	1
1-1670920-1	A	8pos. MCON 1.2 - LL Connector. Sealed	D	1	8pos. MCON 1.2 - Seal	MVQ	NATURE	4
				1	8pos. MCON 1.2 - Retainer	PA66-GF15	VIOLETT SIML. RAL 4006	3
				1	8pos. MCON 1.2 - Protec. Cover	PA6-GF15	BLACK RAL 9011	2
				1	8pos. MCON 1.2 - Rec. Hsg.	PA66-GF30	BLACK RAL 9011	1



TOLERANCES UNLESS OTHERWISE SPECIFIED ACC. TO DIN 16901-140@CENTRIC TO NOMINAL DIMENSION. EDITION 1982-11 SHALL APPLY.		DMN R. Bachmann 19DEC2006		TE Connectivity	
THIS DRAWING IS A CONTROLLED DOCUMENT.		CHK A. Schraebel		NAME 8pos. MCON 1.2 - LL Connector. Sealed	
DIMENSIONS: mm		TOLERANCES UNLESS OTHERWISE SPECIFIED		PRODUCT SPEC 108-18969	
MATERIAL		FINISH		APPLICATION SPEC 114-18861	
				WEIGHT 8.0g	
				CUSTOMER DRAWING	
				SCALE 5:1 SHEET 1 OF 1 REV D	