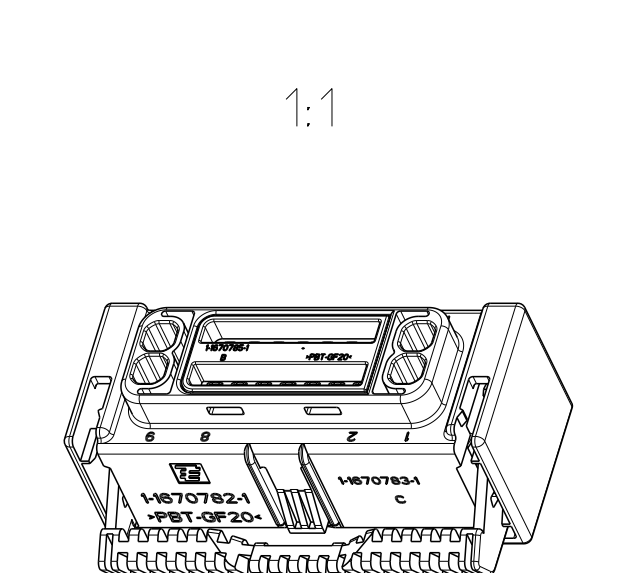
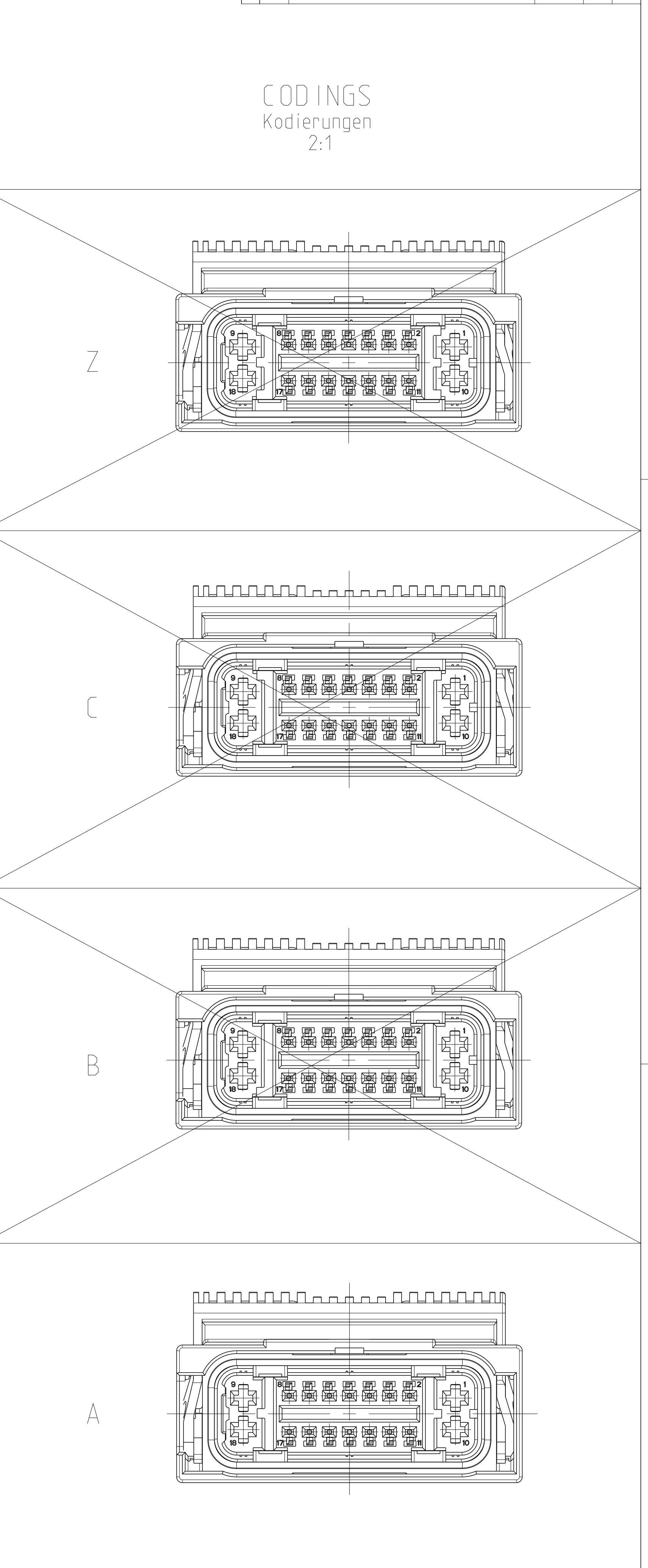


- NOTES:**
 Bemerkungen:
- PACKAGING: LOOSE PIECE INTO CARTON
 Verpackung: Schuetzgut in Karton
 - SUITABLE FOR 1670889
 Passend zu: 1670889
 - CAVITY 1: 9, 10 AND 18 SUITABLE FOR CONTACT:
 2.8mm SENSOR FLAT CONTACT
 0.867543 (STRIP) OR 0.967717 (LOOSE PIECE) >1.0mm? TO 2.5mm?
 AND 0.828505 (SINGLE WIRE SEAL) INSULATION DIA. 2.2mm TO 3.0mm
 Kommer 1: 9, 10 und 18 passend fuer Kontakt:
 2.8mm Sensorflachkontakt
 0.867543 (Bunde) oder 0.967717 (Loosepiece) >1.0mm? bis 2.5mm?
 und 0.828505 (Einleitersicherung) Isolationsdurchmesser: 2.2mm bis 3.0mm
 - CAVITY 2 TO 8 AND 11 TO 17 SUITABLE FOR CONTACT:
 MCON-1, 2 CLEAN BODY
 1.534594 (STRIP) OR 1.534595 (LOOSE PIECE) 0.35mm?
 INSULATION DIA. 1.1mm TO 1.75mm
 1.394897 (STRIP) OR 1.534063 (LOOSE PIECE) 0.5mm? TO 0.75mm?
 INSULATION DIA. 1.1mm TO 1.5mm
 Kommer 2 bis 8 und 11 bis 17 passend fuer Kontakt:
 MCON-1, 2 CLEAN BODY
 1.534594 (Bunde) und 1.534595 (Loosepiece) 0.35mm?
 Isolationsdurchmesser: 1.1mm TO 1.75mm
 1.394897 (Bunde) und 1.534063 (Loosepiece) 0.5mm? TO 0.75mm?
 Isolationsdurchmesser: 1.1mm TO 1.5mm
 - CONTACT SURFACE ACCORDING TO MATING CONNECTOR
 Kontaktoberflaeche entsprechend den Gegenstecker
 - ORDER OF ASSEMBLY:
 1.) CONTACT MOUNTING
 2.) 2- LOCK MOUNTING
 3.) LEVER IN PRE LOCKED POSITION
 Reihenfolge der Bestueckung:
 1.) Kontaktbestueckung
 2.) 2. Kontaktsicherung assemblieren
 3.) Hebel in Vorraststellung
 - INTERFACE DRAWING NO 114-18801
 Schnittstellenzeichnung Nr. 114-18801

AS SHOWN (DELIVERY CONDITION)
 WIE GEZEICHNET (Anlieferungszustand)



REV.	DATE	DESCRIPTION	BY	CHK	APPD
F	14MAR2012	LOCKING LOWER PART MODIFY			
F.1	04NOV2012	2-LOCK INFO CORRECTED			
G	19MAY2013	SOCKET HOUSING MODIFY			
H	15APR2015	FASE ON 2.8 CAVITYS ADDED			



REV.	QTY	DESCRIPTION	MATERIAL	COLOR	ITEM NO.
1	1	LEVER	PBT-GF20	BLACK	6
1	1	RADIAL SEAL	ELASTOSIL	NATURE	5
1	1	FAMILY SEAL, MCON-1,2 CB	ELASTOSIL	NATURE	4
1	1	COVER FAMILY SEAL, MCON-1,2 CB	PBT-GF20	BLACK	3
1	1	18POS. MIXED REC HSG. LOWER PART	PBT-GF30	WATER BLUE	2
1	1	18POS. MIXED REC HSG. UPPER PART	PBT-GF20	BLACK	1
1	1	LEVER	PBT-GF20	BLACK	6
1	1	RADIAL SEAL	ELASTOSIL	NATURE	5
1	1	FAMILY SEAL, MCON-1,2 CB	ELASTOSIL	NATURE	4
1	1	COVER FAMILY SEAL, MCON-1,2 CB	PBT-GF20	BLACK	3
1	1	18POS. MIXED REC HSG. LOWER PART	PBT-GF30	BLUE	2
1	1	18POS. MIXED REC HSG. UPPER PART	PBT-GF20	BLACK	1
1	1	LEVER	PBT-GF20	BLACK	6
1	1	RADIAL SEAL	ELASTOSIL	NATURE	5
1	1	FAMILY SEAL, MCON-1,2 CB	ELASTOSIL	NATURE	4
1	1	COVER FAMILY SEAL, MCON-1,2 CB	PBT-GF20	BLACK	3
1	1	18POS. MIXED REC HSG. LOWER PART	PBT-GF30	BLACK	2
1	1	18POS. MIXED REC HSG. UPPER PART	PBT-GF20	BLACK	1

THIS DRAWING IS A CONTROLLED DOCUMENT.	DATE: 05JAN2007	BY: J. Ryll	CHK: J. Ryll	APPD: J. Ryll
PRODUCT SPEC: 105-94.094	APPLICATION SPEC: 114-18853	WEIGHT: -	SCALE: 5:1	SHEET: 1 of 1
CUSTOMER DRAWING		STE TE Connectivity		
NAME: 18POS. MIXED REC HSG. ASSY		18polig Buchsengehäuse Assy		
SITE: A0		REV: H		