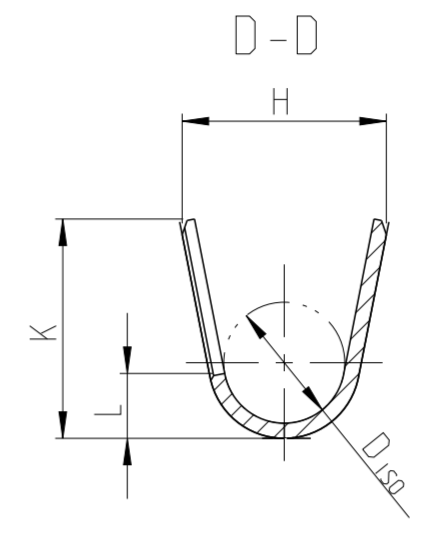
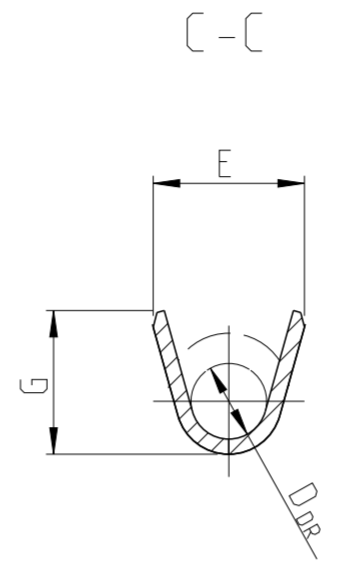
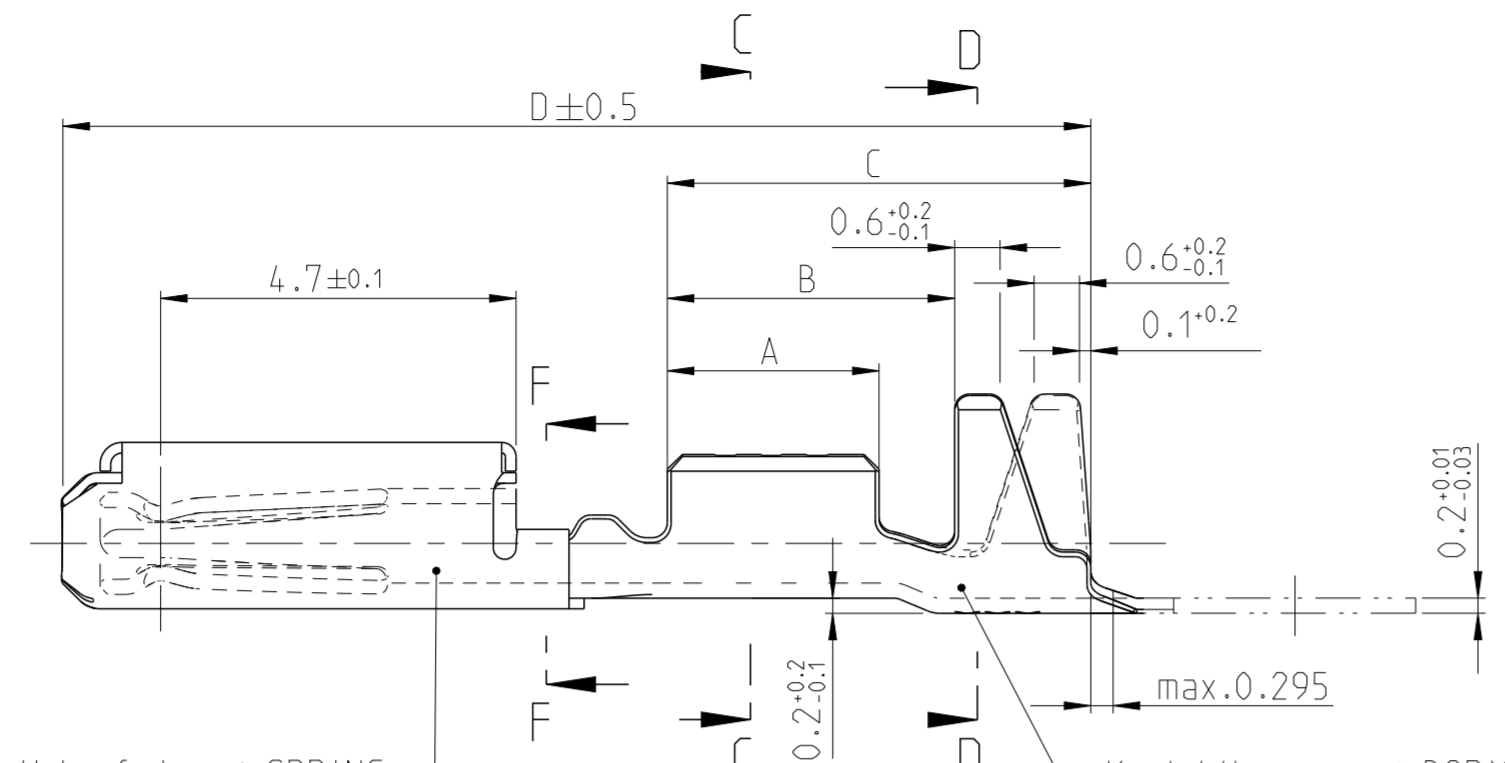
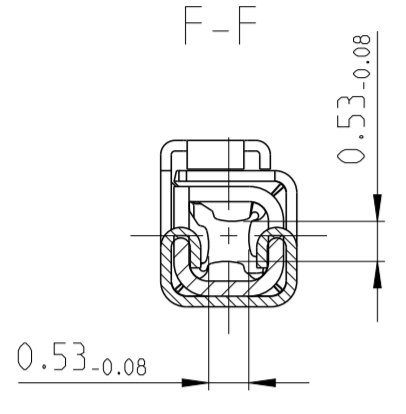


THIS DRAWING IS UNPUBLISHED. RELEASED FOR PUBLICATION 2009  
 © COPYRIGHT 2009 GM ALL RIGHTS RESERVED.

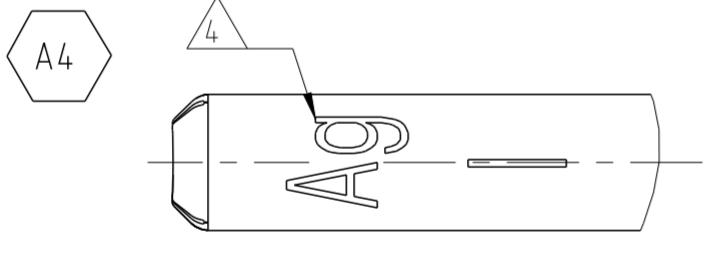
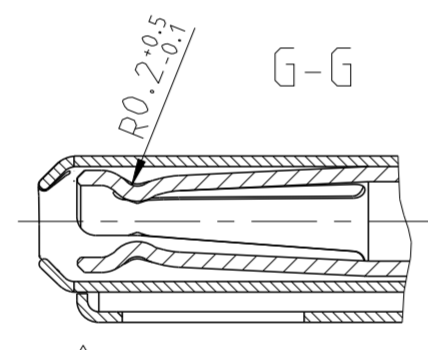
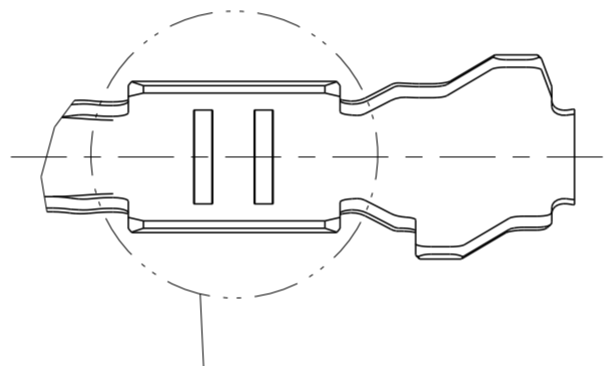
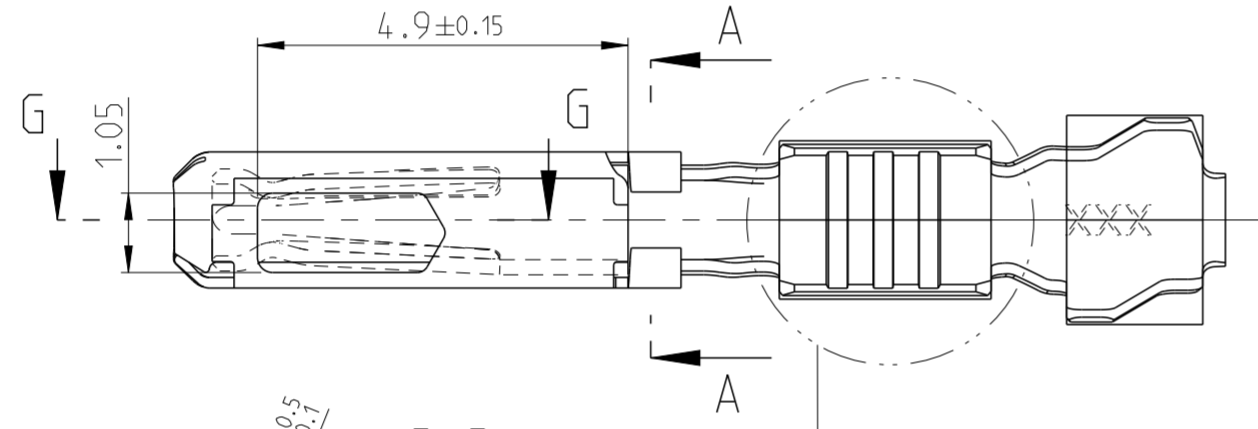
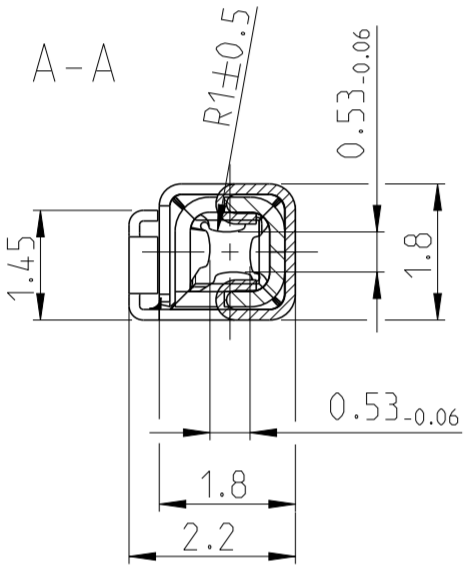
PROJECT-NO.		LOC	DIST	REVISIONS			
P	LTR	DESCRIPTION		DATE	DWN	APVD	
	A1	AWG 20+22 ADDED. DRAWING OBSOLETE		16AUG2006	KF	HK	
	A2	DRW. REACTIVATED A. UPDATED. ECR-15-008867		12JUN2015	Abr	Brun	
	A3	NEW: NOTE 4. VIEW ADDED. REV. UPDATE TABLE		09JUN2016	MAH.	BRUN	
	A4	Stamped mark for 'Ag' only		02AUG2016	MAH.	BRUN	

vergoldete Ausfuehrung  
GOLD VERSION



Ueberfeder / SPRING  
MATERIAL: X10CrNi 18 8  
Oberflaeche / SURFACE : BLANK

Kontaktkoerper / BODY  
MATERIAL : CuNiSi  
Oberflaeche siehe Tabelle  
SURFACE SEE CHART



Bemerkungen  
NOTES

- Datumscode (Woche/Jahr, z.B. KW 30 / Jahr 2011) und Rev. (z.B. A)  
DATE CODE (WEEK/YEAR E.G. WEEK NUMBER 30 / YEAR 2011) AND REV. (E.G. A)
  - Passend zu Stiftkontakt siehe Zeichnung: TE: 929453  
SUITABLE FOR PIN CONTACT SEE DRAWING: TE: 929453
  - Einzelheiten der Ausfuehrung bleiben dem Hersteller ueberlassen  
DETAILS OF DESIGN ARE LEFT TO MANUFACTURER
- A4 4 Markierung fuer galvanische Ausfuehrung  
STAMPED INDICATOR FOR PLATING
- "Ag" SILVER PLATING / versilbert



1563692-5	A	0.5 - 0.75 FLR	Au	A = 2.8	E = 2	H = 2.7	Y
-	-			Ag	B = 3.8	G = 2.1	
1563692-1	A	0.25 - 0.35 FLR	Sn	C = 5.6	D <sub>Dr</sub> = 1	L = 0.7	X
-	-			Ag	D = 13.6	D <sub>Iso</sub> = 1.6	
1563690-5	A	0.25 - 0.35 FLR	Au	A = 2.5	E = 1.8	H = 2.3	X
-	-			Ag	B = 3.6	G = 1.8	
1563690-1	A	0.25 - 0.35 FLR	Sn	C = 5.6	D <sub>Dr</sub> = 0.8	L = 0.6	X
-	-			Sn	D = 13.6	D <sub>Iso</sub> = 1.4	
1719532-6	B	AWG 18 0.73 - 1.0	4 Ag	A = 2.8	E = 2.2	H = 2.9	X
1719532-5	C			Au	B = 3.8	G = 2.4	
1719532-1	C	AWG 18 0.73 - 1.0	Sn	C = 5.6	D <sub>Dr</sub> = 1.1	L = 0.7	X
-	-			Sn	D = 13.6	D <sub>Iso</sub> = 1.7	
1719545-6	B	AWG 20 + 22 0.32 - 0.52	4 Ag	A = 2.8	E = 2.0	H = 2.7	X
1719545-5	C			Au	B = 3.8	G = 1.9	
1719545-1	C	AWG 20 + 22 0.32 - 0.52	Sn	C = 5.6	D <sub>Dr</sub> = 1.0	L = 0.7	X
-	-			Sn	D = 13.6	D <sub>Iso</sub> = 1.6	

Bandware Bestell-Nr	REV.	DGB WIRE-SIZE-RANGE	Oberflaeche SURFACE	Laenge LENGTH	Drahtcrimp WIRE CRIMP	Iso' crimp INSU. CRIMP	Rillen Ausfuehrung SERRATIONS VERSION
STRIP ORDER-NO.		mm <sup>2</sup>		Abmessungen / DIMENSIONS mm			

THIS DRAWING IS A CONTROLLED DOCUMENT.

DWN: K. Fruehwirth 27 JUN 2006  
CHK: H. Kampmann 27 JUN 2006

APVD: -

NAME: MQS CLEAN BODY  
Produktgruppenzeichnung Buchsenkontakt  
PRODUCT GROUP DRAWING SOCKET CONTACT

PRODUCT SPEC: 108-18030  
APPLICATION SPEC: 114-18021

WEIGHT: 0.12 g

SCALE: 10:1 SHEET 1 OF 1 REV: A4

RESTRICTED TO: -

CUSTOMER DRAWING

