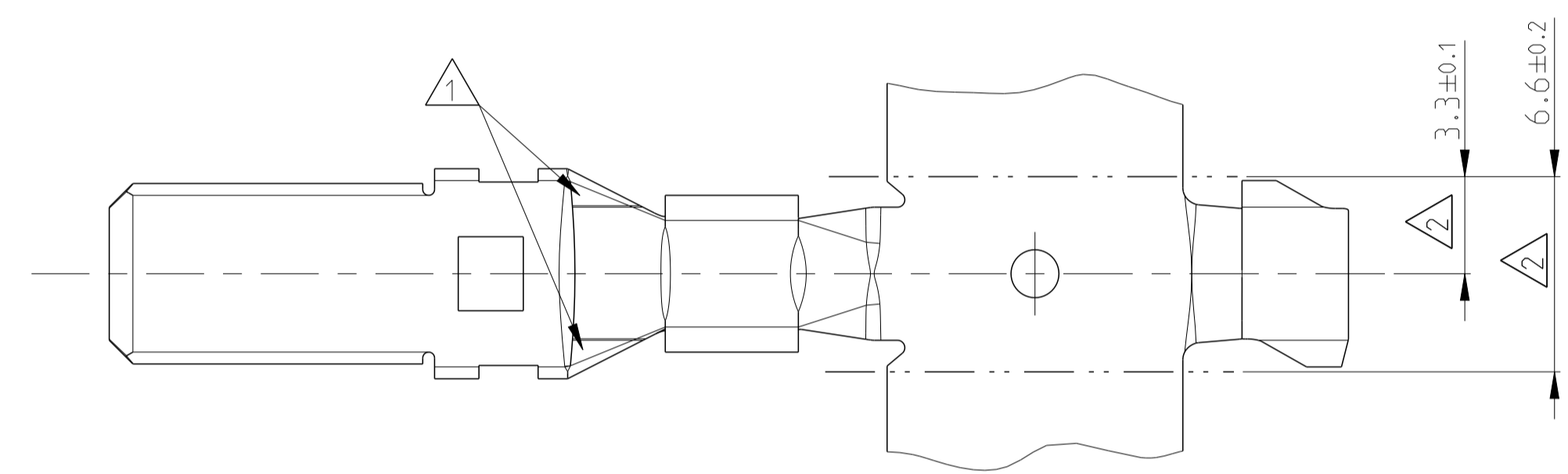
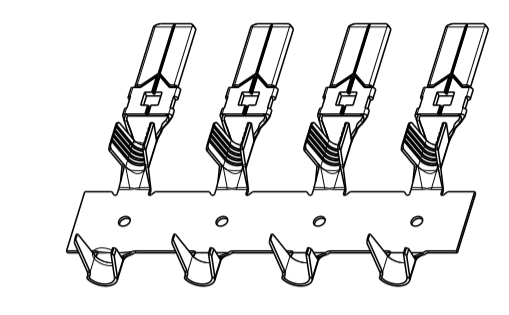
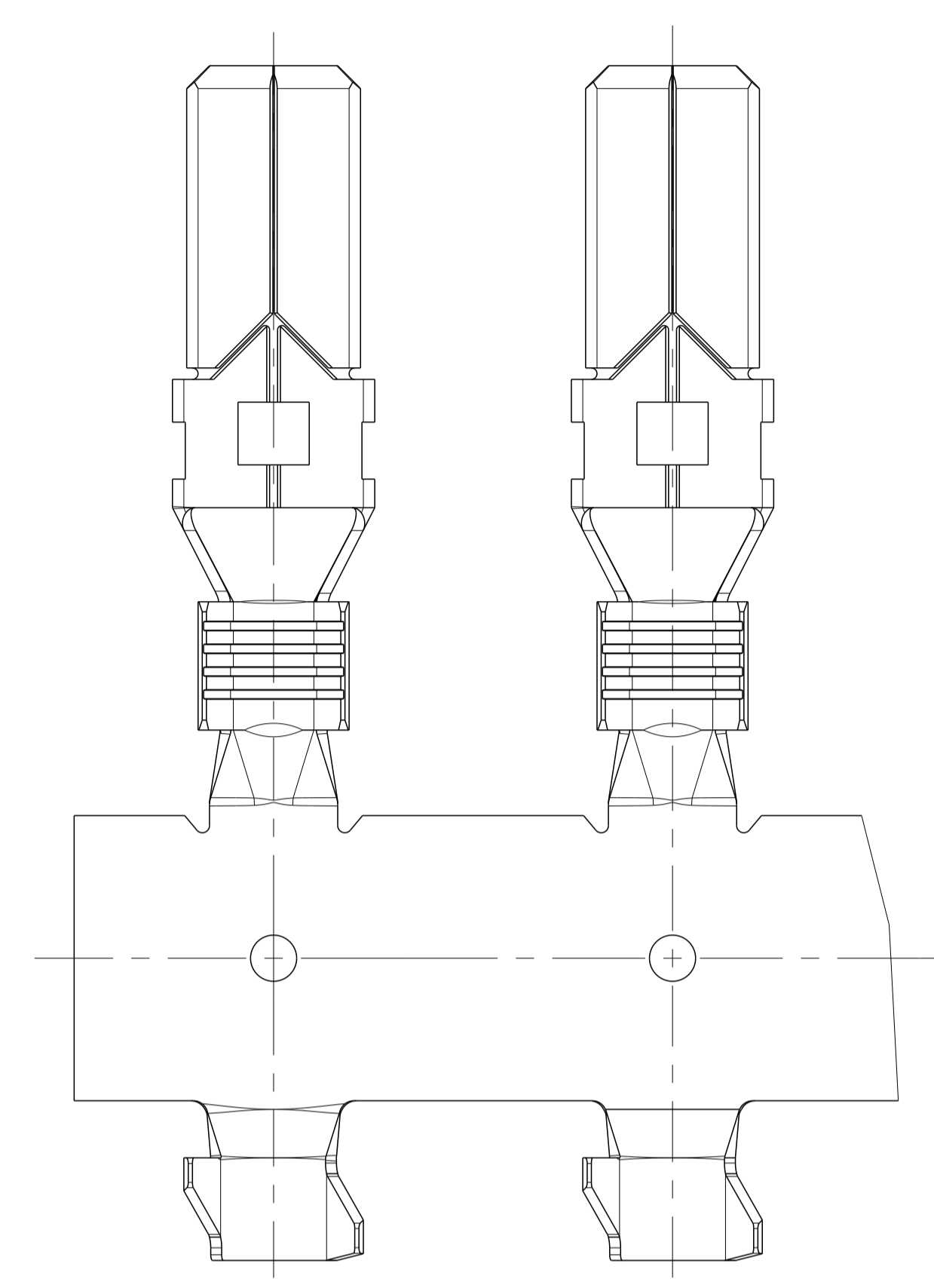
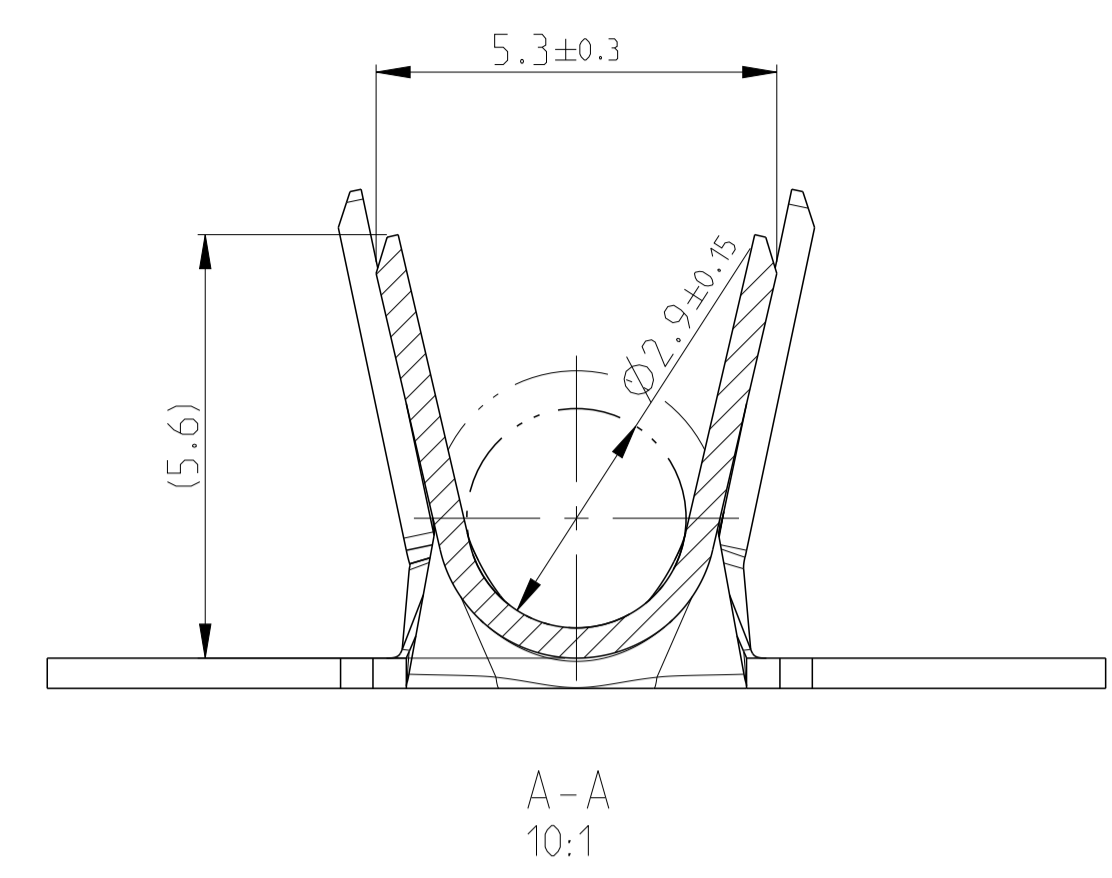
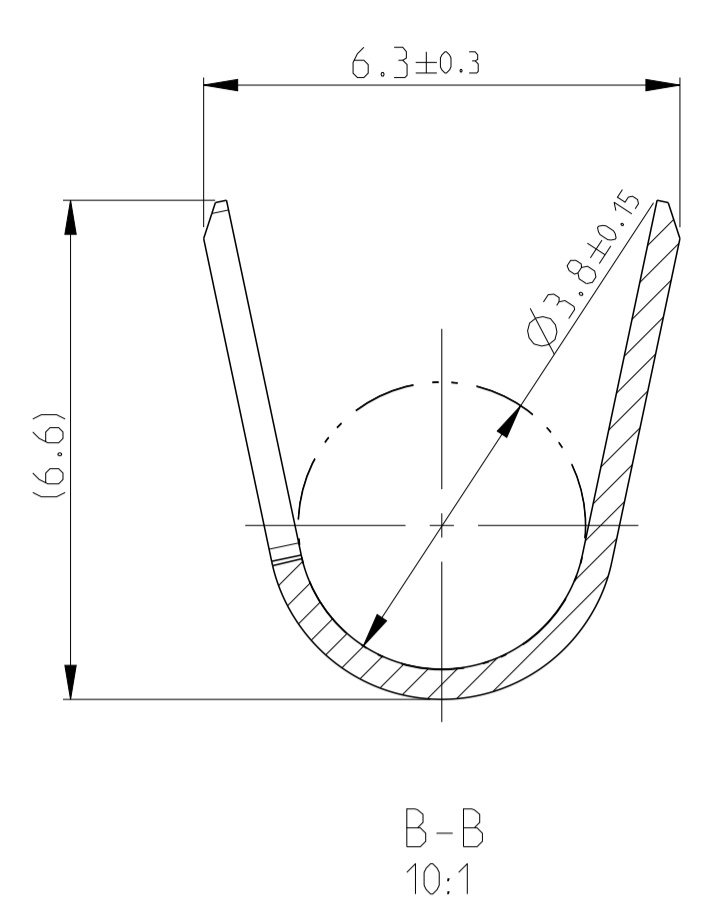
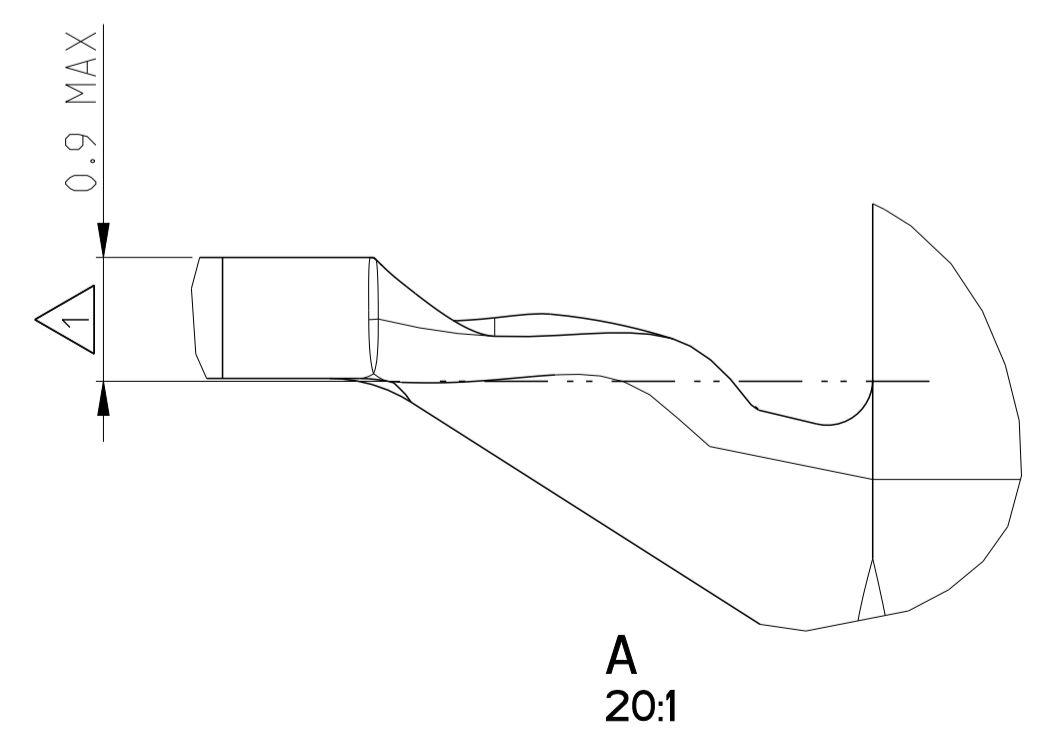
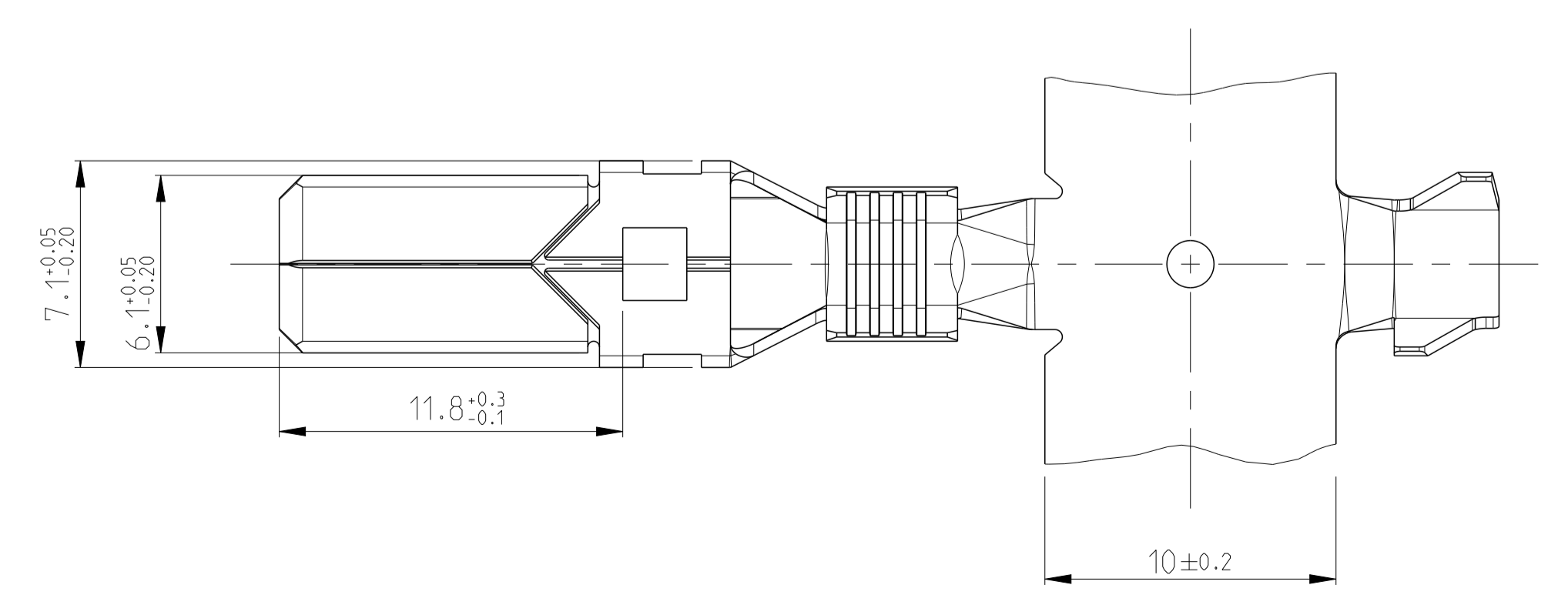
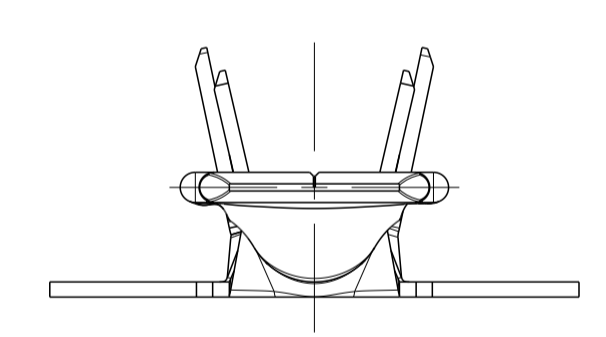
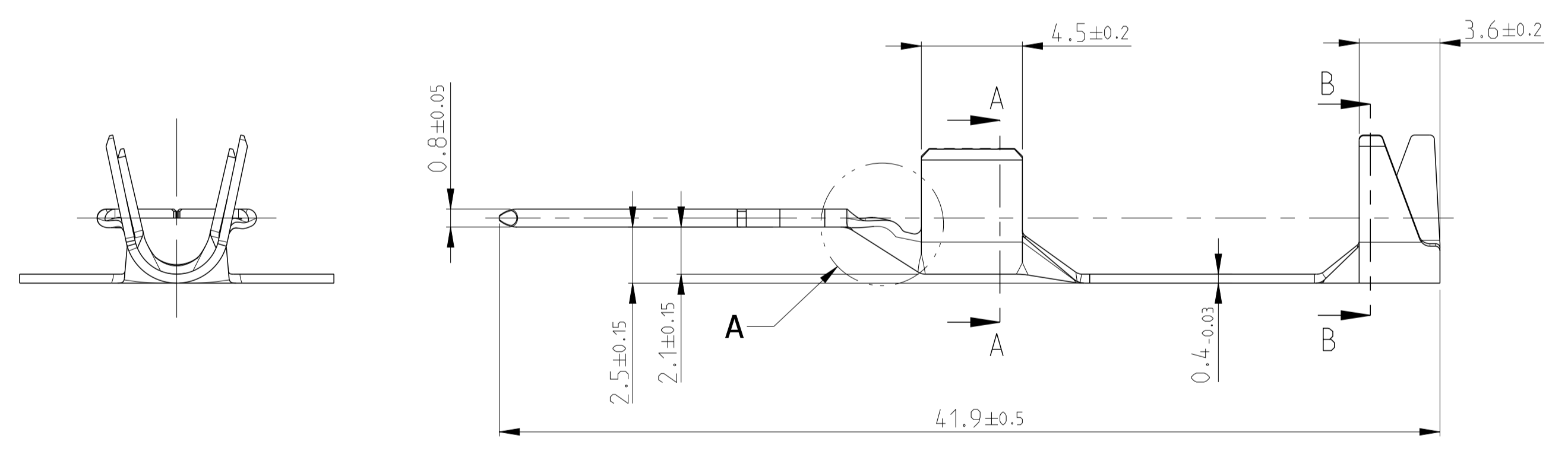


| REVISIONS | | | | |
|-----------|-----|-------------|-----------|-------|
| P | LTH | DESCRIPTION | DATE | APVD |
| A | | new drawing | 19AUG2013 | SK RH |
| | | | | |
| | | | | |



NOTES
BEMERKUNGEN

- 1 PUNCHED DOWN LEFT AND RIGHT
RUNTERGEPRAEGT LINKS UND RECHTS
- 2 DIMENSION TO CUT THE TERMINAL FROM THE STRIP
MASS FUER DEN SCHNITT DES KONTAKTES VOM BAND



| | | | |
|-------------------------------------|---------------------|-----|-------------|
| >4mm ² -6mm ² | TIN HOT DIPPED 1-3µ | A | 0-1670225-1 |
| WIRE RANGE | FINISH | REV | PART NO |

| | | | | | |
|--|--------|--|-----------|---------------------|--------------------|
| THIS DRAWING IS A CONTROLLED DOCUMENT. | | DWN G.S. HOIEA | 12MAR2007 | | |
| DIMENSIONS: | | TOLERANCES UNLESS OTHERWISE SPECIFIED: | | NAME | |
| mm | 0 PLC | ± | ± | 6.3MM BUSBAR TAB | |
| | 1 PLC | ± | ± | PRODUCT SPEC | |
| | 2 PLC | ± | ± | APPLICATION SPEC | |
| | 3 PLC | ± | ± | SIZE | |
| | 4 PLC | ± | ± | CAGE CODE | |
| | ANGLES | ± | ± | DRAWING NO | |
| | FINISH | ± | ± | RESTRICTED TO | |
| MATERIAL | | | | A 1 00779 ©=1670225 | |
| | | | | Customer Drawing | |
| | | | | SCALE | SHEET 1 OF 1 REV A |