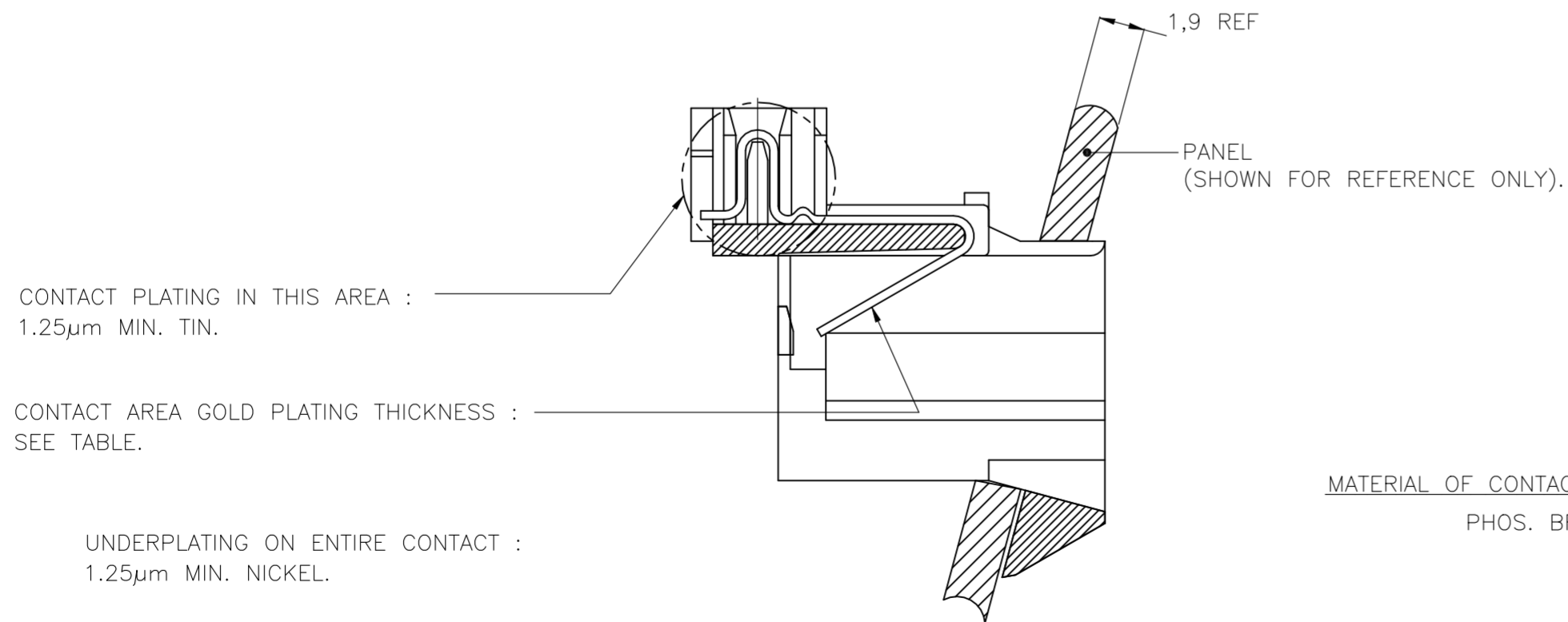
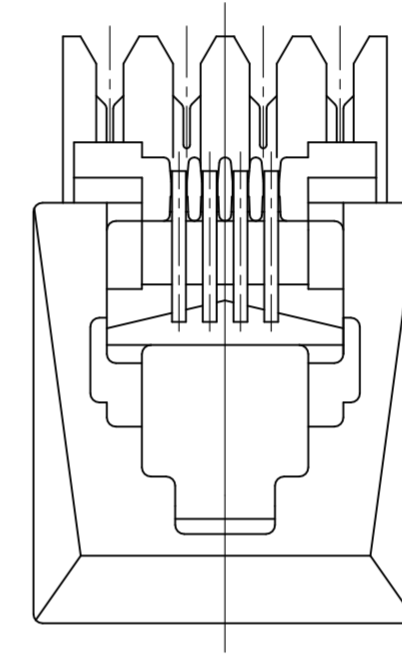
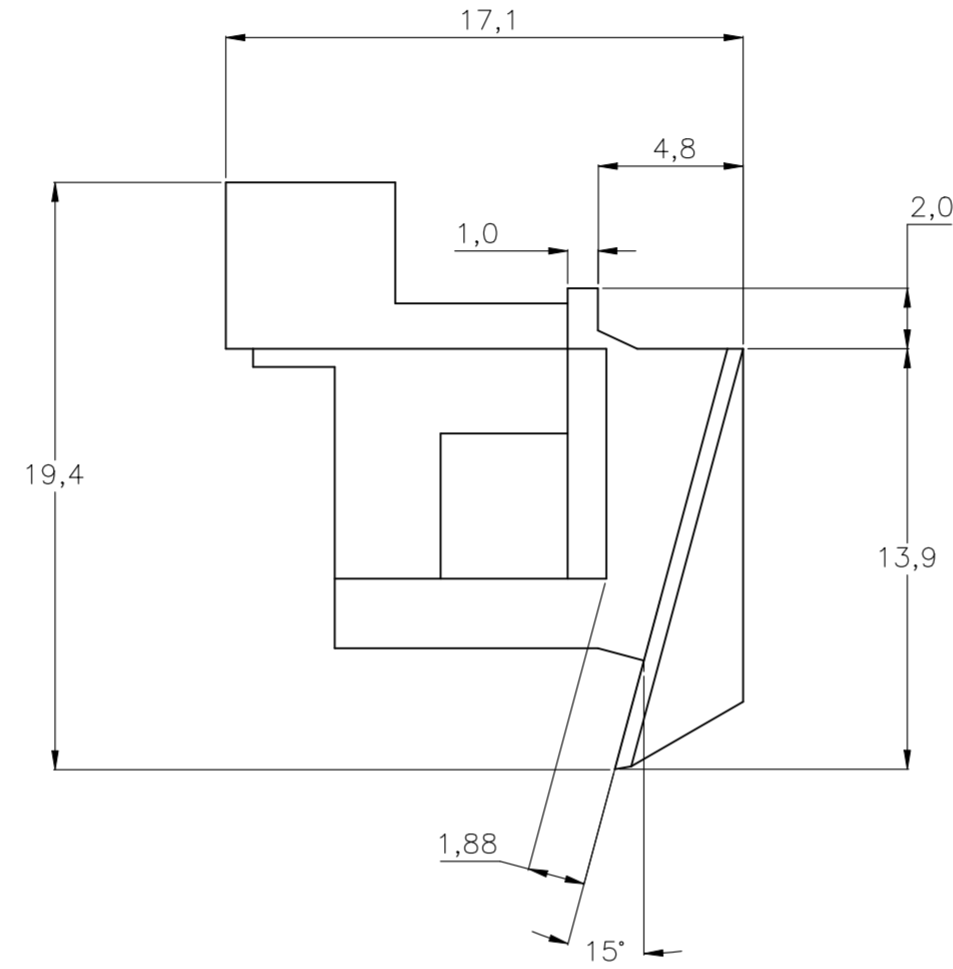
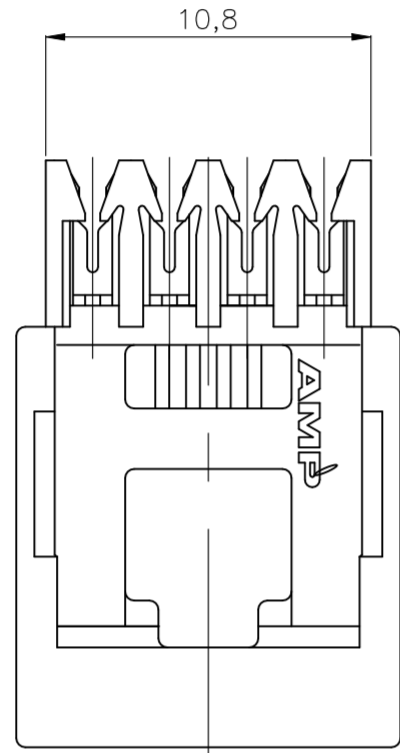
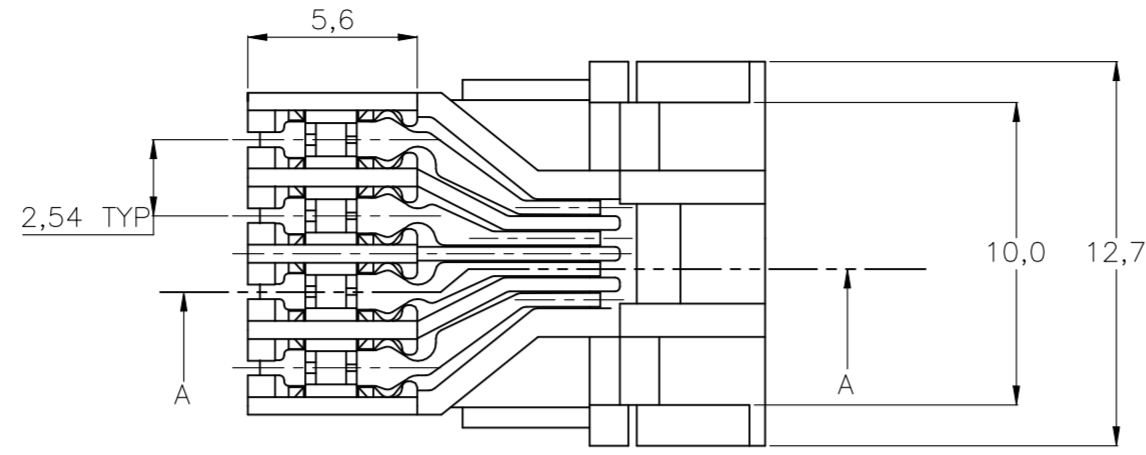


REVISIONS					
P	LTR	DESCRIPTION	DATE	DWN	APVD
V2		REVISED PER ECN-22-180673	09NOV2022	AB	SZ
V1		ECR-08-012368	08-07-08	AEG	WRV
V		ECR-06-013127	31-05-06	MO	-

NOTES:

- FOR APPLICATION INFORMATION SEE TE SPECIFICATION 114-19005.
- FOR PERFORMANCE REQUIREMENTS SEE TE SPECIFICATION 108-19039.



SECTION A-A

OBSOLETE	600 PCS. ON		ABS	2-166925-5
OBSOLETE	60 cm DIA. REEL		COLOR-BLACK, METALLIC FILTER	166925-5
	3000 PCS IN A BOX			2-166925-3
OBSOLETE	600 PCS. ON	1.2 µm	ABS	166925-3
	60 cm DIA. REEL		COLOR-GREY (RAL 9002)	
OBSOLETE	3000 PCS IN A BOX		NYLON, 13%G.F.	166925-1
			COLOR-BLACK	
	PACKAGING	GOLD PLATING IN CONTACT AREA	HOUSING MATERIAL	ORDER NUMBER

THIS DRAWING IS A CONTROLLED DOCUMENT.		DWN	05NOV92	<b>TE</b> TE Connectivity	
		CHK	-		
		APVD	-	NAME MODULAR JACK, 4 POS./4 CONT FLANGED, WITH INSULATION DISPLACEMENT CONTACTS	
		PRODUCT SPEC	-		
		APPLICATION SPEC	-	SIZE CAGE CODE DRAWING NO RESTRICTED TO A2 00779 C=166925 -	
		WEIGHT	0.000000		
MATERIAL SEE NOTES		FINISH	SEE NOTES	SCALE	NTS
		CUSTOMER DRAWING		SHEET	1 of 1
				REV	V2