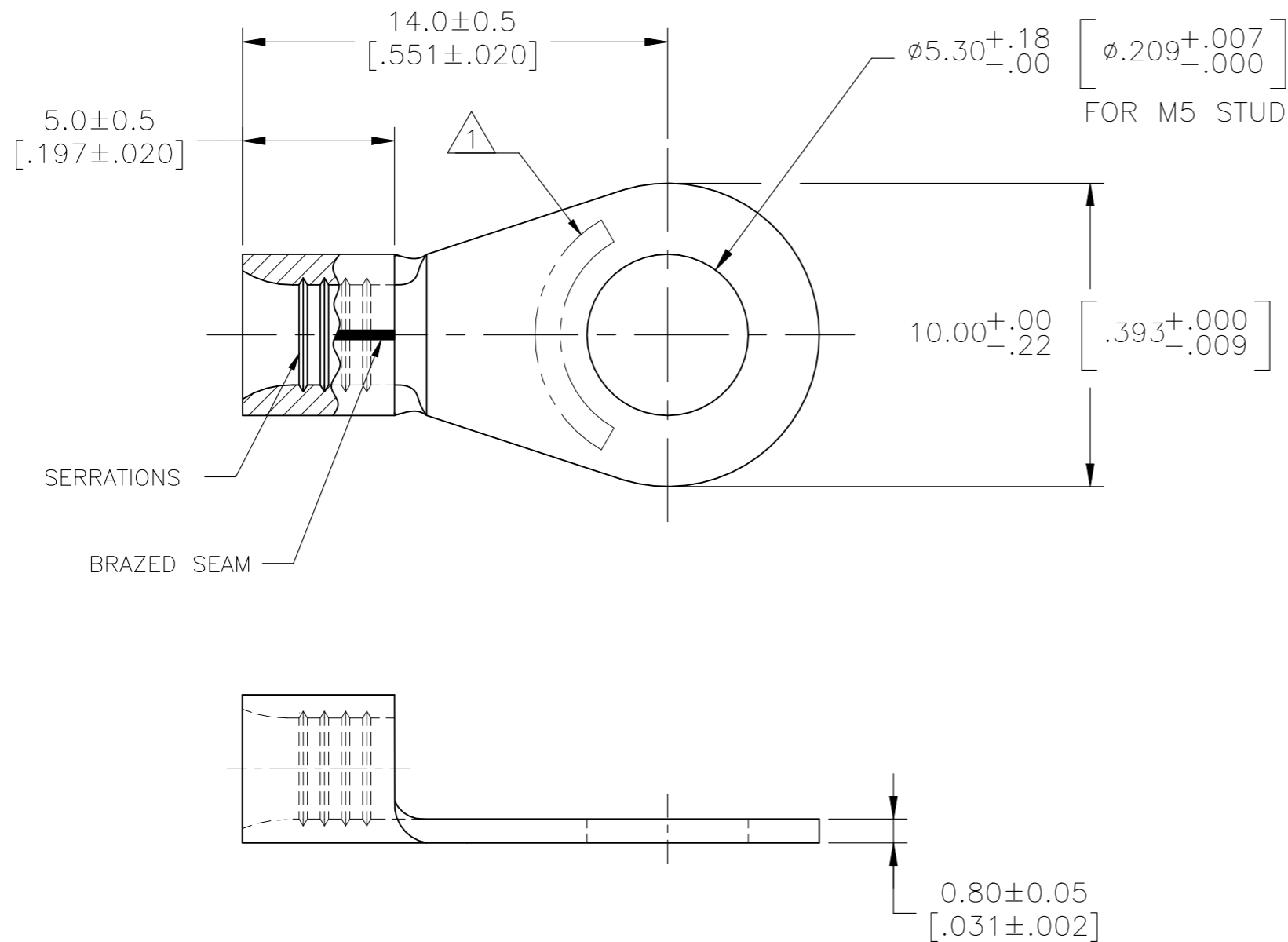


REVISIONS

P	LTR	DESCRIPTION	DATE	DWN	APVD
	C1	REV PER ECR-24-197633	18FEB2024	LP	DSC



- △1 STAMP "AMP 5-2.5" APPROX AS SHOWN
- △2 MATERIAL: COPPER PER ASTM B152, ANNEALED
- △3 FINISH: TIN PLATE 0.0030 [.000120] MIN EXT THK PER ASTM B545

1000	LOOSE PIECE	165298
QTY	PACKAGING TYPE	PART NO

THIS DRAWING IS A CONTROLLED DOCUMENT.		DWN 27DEC2023 SANTOSHACHAR S	STE TE Connectivity	
DIMENSIONS: mm [INCHES]		CHK 27DEC2023 CHETHAN SUVARNA D		
TOLERANCES UNLESS OTHERWISE SPECIFIED:		APVD 27DEC2023 CHETHAN SUVARNA D	NAME TERMINAL, RING TONGUE, SOLISTRAND, DIN 46234 WIRE SIZE: 1.5-2.5 mm ²	
0 PLC ± -		PRODUCT SPEC	SIZE CAGE CODE DRAWING NO RESTRICTED TO	
1 PLC ± -		APPLICATION SPEC	A3 00779 C-165298	
2 PLC ± -		WEIGHT	SCALE 1:1 SHEET 1 OF 1 REV C1	
3 PLC ± -		CUSTOMER DRAWING		
4 PLC ± -				
ANGLES ± -				
MATERIAL △2				
FINISH △3				