

REVISIONS

P	LTR	DESCRIPTION	DATE	DWN	APVD
A1		Released as per ECR-08-022292	4-Sep-08	SP	JC
V		ECR-16-003733	12MAR2016	KR	TN

LASER MARKING: TE LOGO PN VALUE TOLERANCE & DATE CODE

6 HOLES Ø5.3

5.6 MIN

M6 ST/STEEL TERMINAL STUDS. EACH SUPPLIED WITH:- 2 OFF M6 ST/STEEL FULL NUTS 2 OFF M6/STEEL PLAN WASHERS

57.2±0.3

GOLD ANODISED ALUMINIUM HOUSINGS

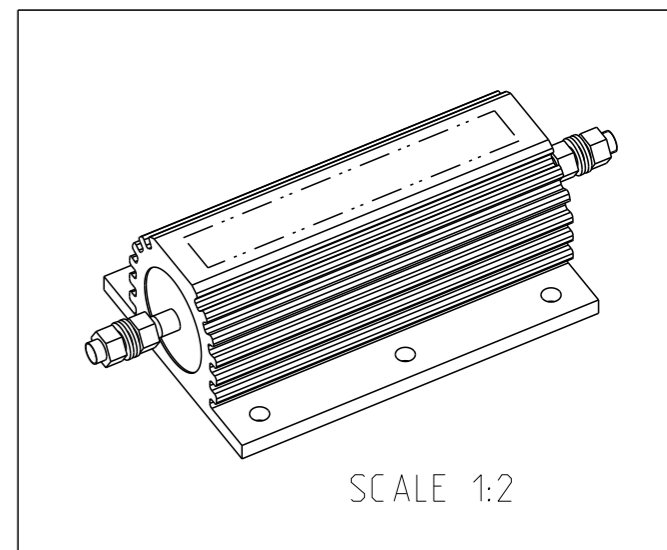
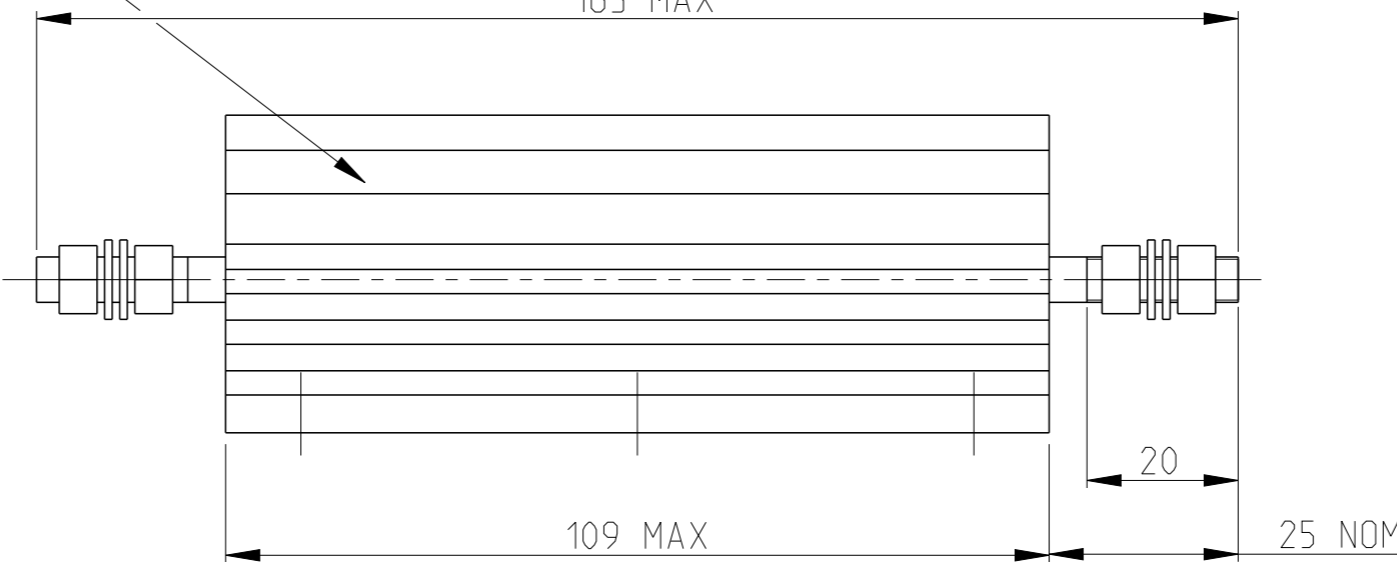
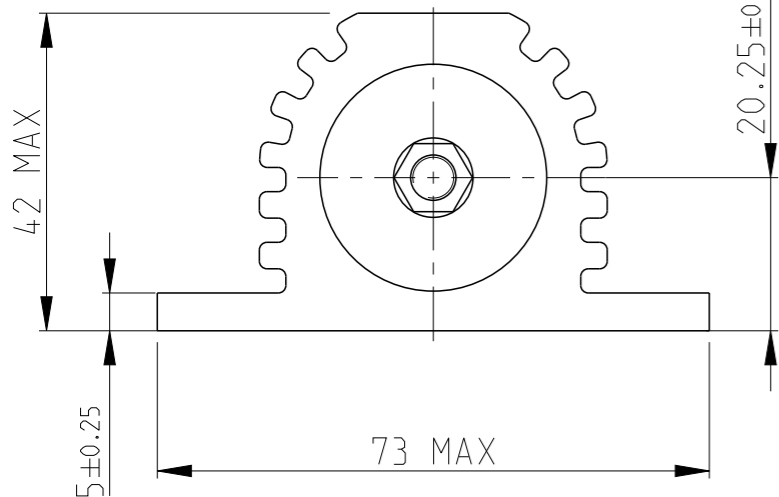
44.5±0.3

44.5±0.3

9.95±0.5

163 MAX

RoHS Compliant



- 1 FOR FURTHER INFORMATION SEE DATA SHEET FOR HS SERIES-ALUMINIUM HOUSED RESISTORS
- 2 FOR A SPECIFIC PN FOR A RESISTANCE VALUE AND TOLERANCE, PLEASE REFER TO DMF

THIS DRAWING IS A CONTROLLED DOCUMENT.

DWN 28.SEP.05

DAVE KENNEDY

CHK 29.SEP.05

J CATCHPOLE

APVD 29.SEP.05

J CATCHPOLE

PRODUCT SPEC

APPLICATION SPEC

WEIGHT

CUSTOMER DRAWING



TE Connectivity

NAME HSC250 ALUMINIUM HOUSED POWER RESISTOR

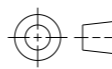
SIZE CAGE CODE DRAWING NO RESTRICTED TO

A3 00779 C=1630024

SCALE 1:1 SHEET 1 OF 1 REV V

DIMENSIONS: mm

TOLERANCES UNLESS OTHERWISE SPECIFIED:



0 PLC	±0.5
1 PLC	±0.2
2 PLC	±0.1
3 PLC	±
4 PLC	±
ANGLES	±5°

MATERIAL material_2

FINISH finish_spec_2