

4

3

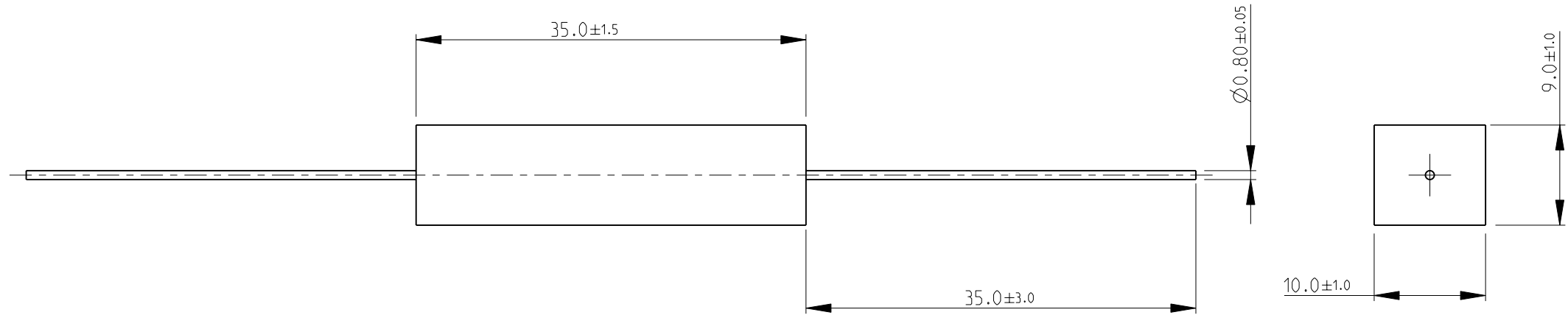
2

1

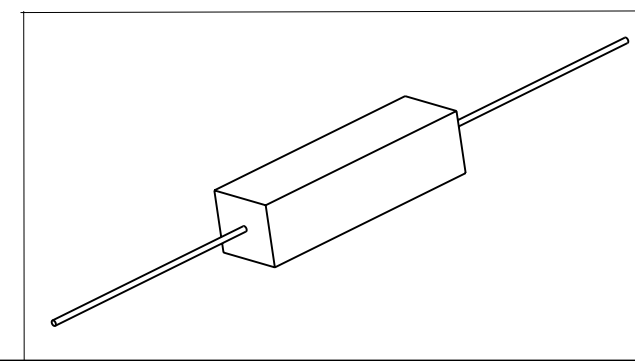
THIS DRAWING IS UNPUBLISHED. RELEASED FOR PUBLICATION 2009
 © COPYRIGHT 2009 BY TYCO ELECTRONICS CORPORATION. ALL RIGHTS RESERVED.

LOC	DIST	REVISIONS					
E	B	P	LTR	DESCRIPTION	DATE	DWN	APVD
		BA		NEW RELEASE	13OCT2010	PT	St.P

FOR FURTHER INFORMATION SEE DATA SHEET FOR HIGH POWER RESISTORS OF SQ SERIES



RoHS Compliant



<small>THIS DRAWING IS A CONTROLLED DOCUMENT FOR TYCO ELECTRONICS CORPORATION IT IS SUBJECT TO CHANGE AND THE CONTROLLING ENGINEERING ORGANIZATION SHOULD BE CONTACTED FOR THE LATEST REVISION.</small>		DWN PARUSURAM.T 13OCT2010 CHK ALLAN.P 13OCT2010 APVD STEPHEN.P 13OCT2010	Tyco Electronics Corporation Dorcan, Swindon, SN3 5HH		
DIMENSIONS: mm	TOLERANCES UNLESS OTHERWISE SPECIFIED: 0 PLC ±0.2 1 PLC ±0.1 2 PLC ± 3 PLC ± 4 PLC ± ANGLES ±5°	PRODUCT SPEC - APPLICATION SPEC - WEIGHT -	NAME HIGH POWER RESISTORS SERIES SQP7		
MATERIAL -	FINISH -	SIZE A3 CAGE CODE 00779 DRAWING NO C-1623794	RESTRICTED TO -		
CUSTOMER DRAWING		SCALE 1:1	SHEET 1 OF 1	REV BA	