

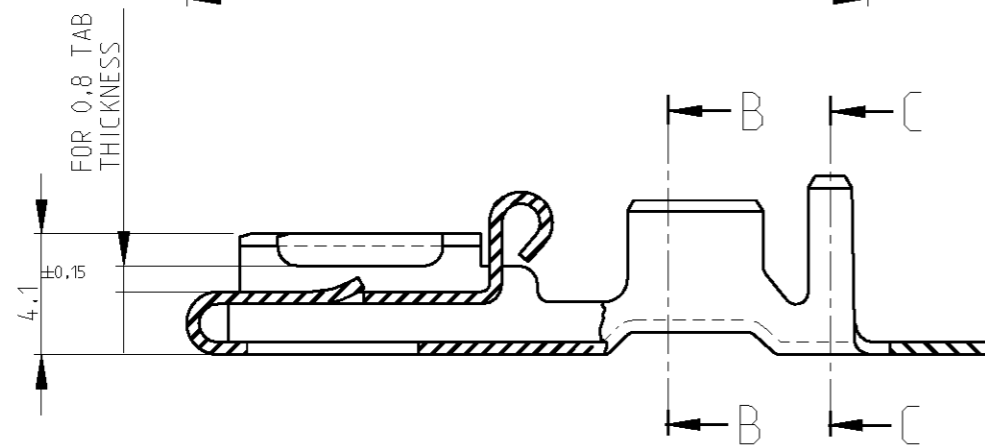
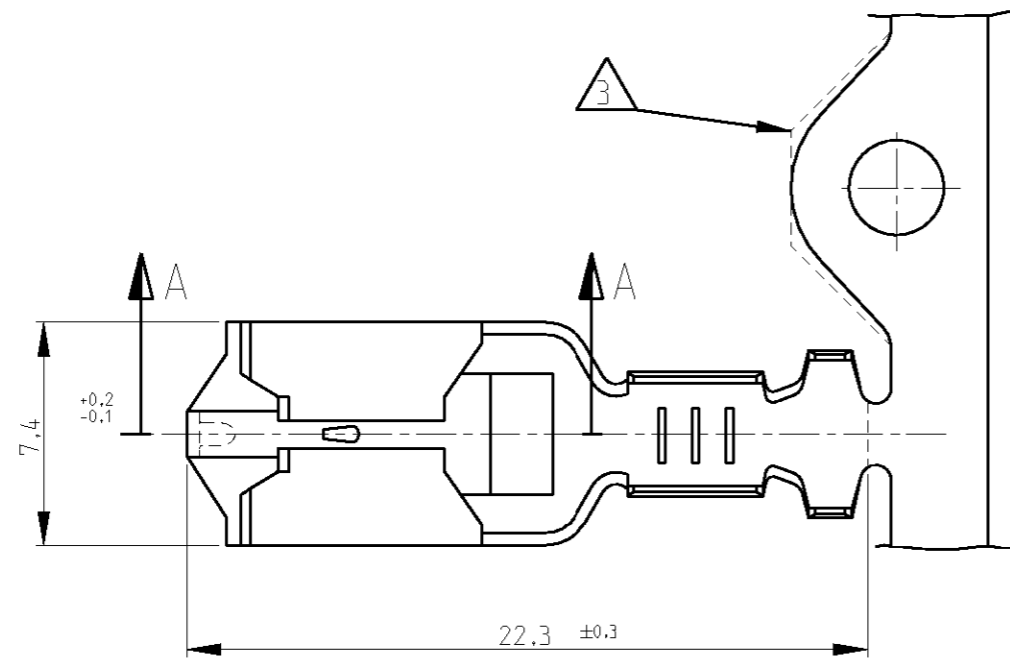
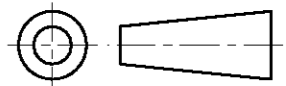
DO NOT SCALE

DIMENSIONS IN mm

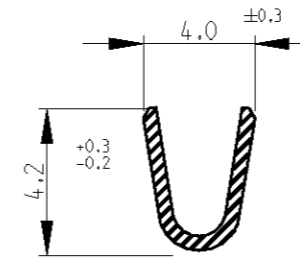
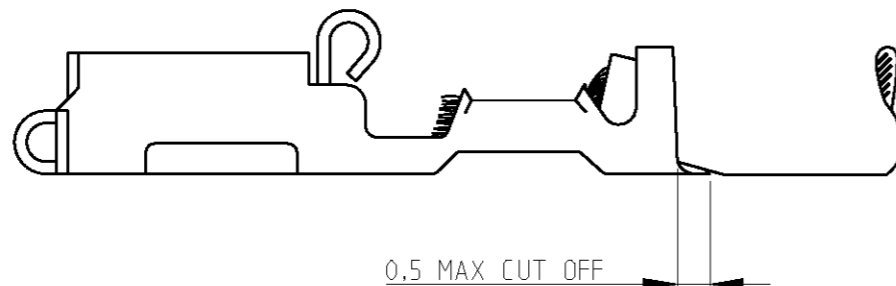
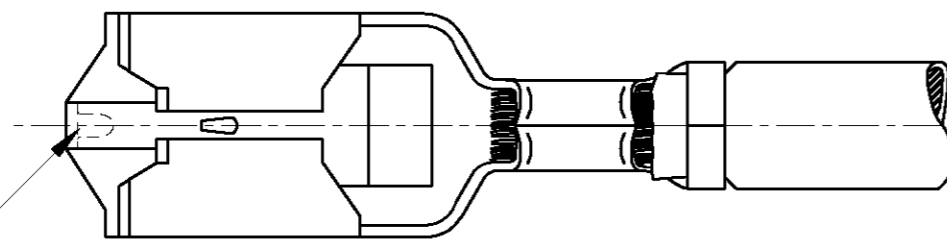
METRIC

THIRD ANGLE

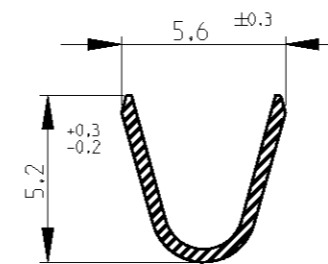
PROJECTION



SECTION A-A



SECTION B-B



SECTION C-C

NOTES:

- 1 FOR USE ON MINIATURE APPLICATOR (LEFT-RIGHT FEED)
- 2 REELED WITH PAPER.
- 3 CONFIGURATION OF CARRIER-STRIP OPTIONAL.
- 4 FOR USE ON MINIATURE APPLICATOR (LEFT-RIGHT FEED) AMP-O-MATOR APPLICATION.
- 5 OBSOLETE PARTS: OBSOLETE CIS STREAMLINING PER D.RENAUD/D.SINISI
- 6 ONLY WELDED SPLICES ALLOWED

OBSOLETE	PRE-TIN PLATED	PH.BRONZE	4	6-160831-8
	PRE-TIN PLATED	BRASS	4	6-160831-7
OBSOLETE	TIN PLATED	PH.BRONZE	4	1-160831-2
	UNPLATED	BRASS	4	1-160831-1
OBSOLETE	TIN PLATED	BRASS	4	1-160831-0
	UNPLATED	NICKEL-SILVER	6	0-160831-9
OBSOLETE	SILVERPLATED	PH.BRONZE		0-160831-8
	SILVERPLATED	BRASS		0-160831-7
OBSOLETE	UNPLATED	BRASS	2	0-160831-6
	UNPLATED	PH.BRONZE	2	0-160831-5
	TIN PLATED	PH.BRONZE		0-160831-4
	TIN PLATED	BRASS	6	0-160831-3
	UNPLATED	PH.BRONZE		0-160831-2
	UNPLATED	BRASS	6	0-160831-1
	FINISH	MATERIAL		PART NUMBER

WIRE RANGE :	1.0-2.5 mm?
INSULATION RANGE :	3.0-4.3mm DIA.

CUSTOMER DRAWING				FOR REFERENCE ONLY WILL NOT BE UPDATED	
THIS DRAWING IS UNPUBLISHED RELEASED FOR PUBLICATION					
STE TE Connectivity					
M3	REVISED PER ECR-20-012400	SS	EW	24SEP20	NAME
M2	ECO-11-005294	RK	HMR	19APR11	POSITIVE LOCK RECEPTACLE .250 (6,35) SERIES
LTR.	REVISION RECORD	DR.	CHK.	DATE	DWG.No. C-160831
DR.:	J.v.LIEMPT	CHK.:	M.v.DRIEL	APP.:	M.v.DRIEL
DATE:	07 FEB 97	DATE:	18 FEB 02	DATE:	18 FEB 02
				REV.LTR.	M3
				SHEET	1 OF 1