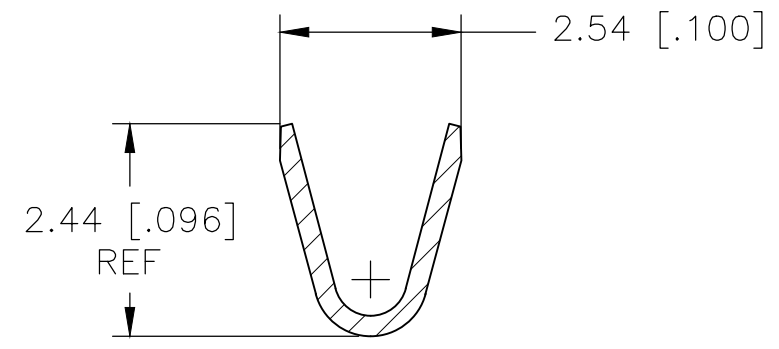
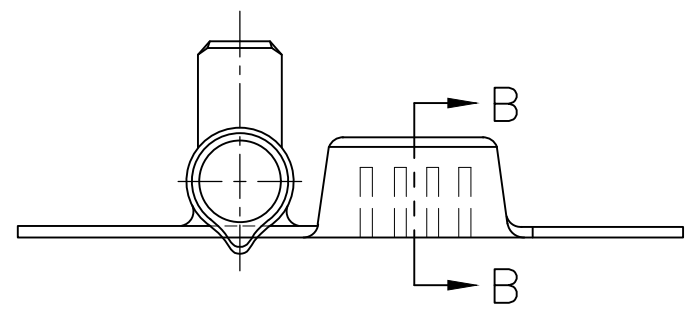
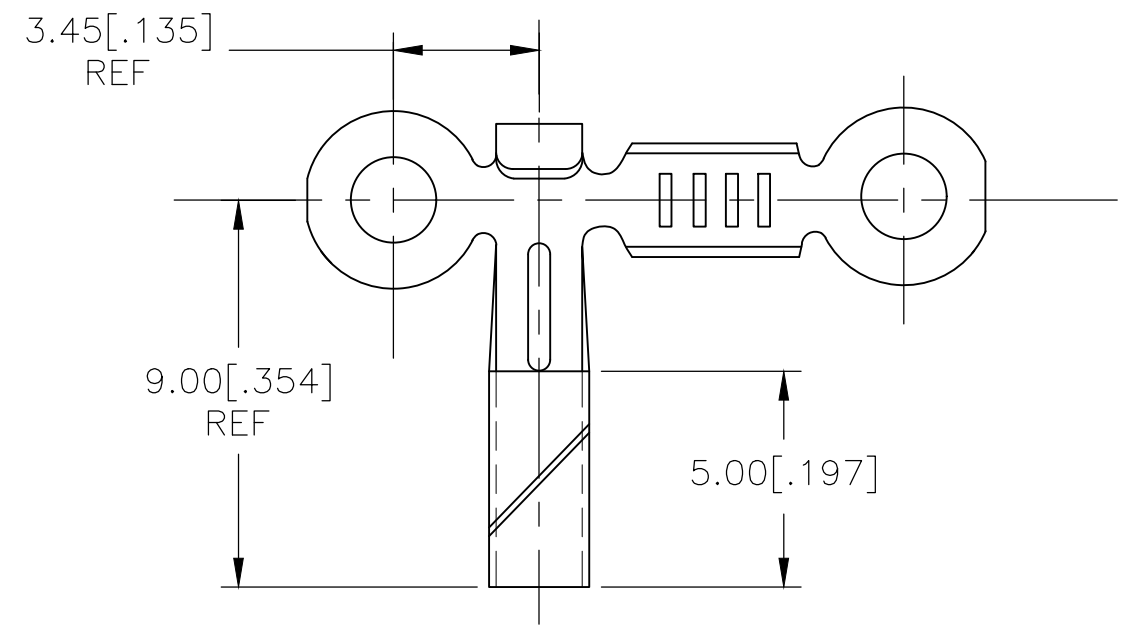


THIS DRAWING IS UNPUBLISHED. RELEASED FOR PUBLICATION
 © COPYRIGHT - By - ALL RIGHTS RESERVED.

REVISIONS				
P	LTR	DESCRIPTION	DATE	APVD
	A1	REVISED PER ECR-19-012286	20SEP2019	PC TD



SECTION B-B

OBSOLETE	PRE-NICKLE PLATED	STEEL	-160784-5-
OBSOLETE	UNPLATED	BRONZE	-160784-4-
	PRE-TINNED	PHOSPH. BRONZE	160784-3
	FINISH	MATERIAL	PART NUMBER

STOCK THK. :0.32[.0126]	
18-22 AWG	ø.065-.100
WIRE RANGE	INSULATION RANGE

THIS DRAWING IS A CONTROLLED DOCUMENT.	
DIMENSIONS: mm [INCHES]	TOLERANCES UNLESS OTHERWISE SPECIFIED:
	0 PLC ± -
	1 PLC ± -
	2 PLC ± 0.4[.015]
	3 PLC ± 0.4[.015]
	4 PLC ± -
ANGLES ± -	
MATERIAL SEE TABLE	FINISH SEE TABLE

DWN RAVI S 28NOV2016	TE Connectivity RECEPTACLE FOR 2.5 MM DIA PIN				
CHK LI DAISY 28NOV2016					
APVD DING TIM 28NOV2016					
PRODUCT SPEC					
APPLICATION SPEC	NAME	SIZE	CAGE CODE	DRAWING NO	RESTRICTED TO
WEIGHT	-	A3	00779	C-160784	-
CUSTOMER DRAWING			SCALE	NTS	SHEET
				1 OF 1	REV
					A1