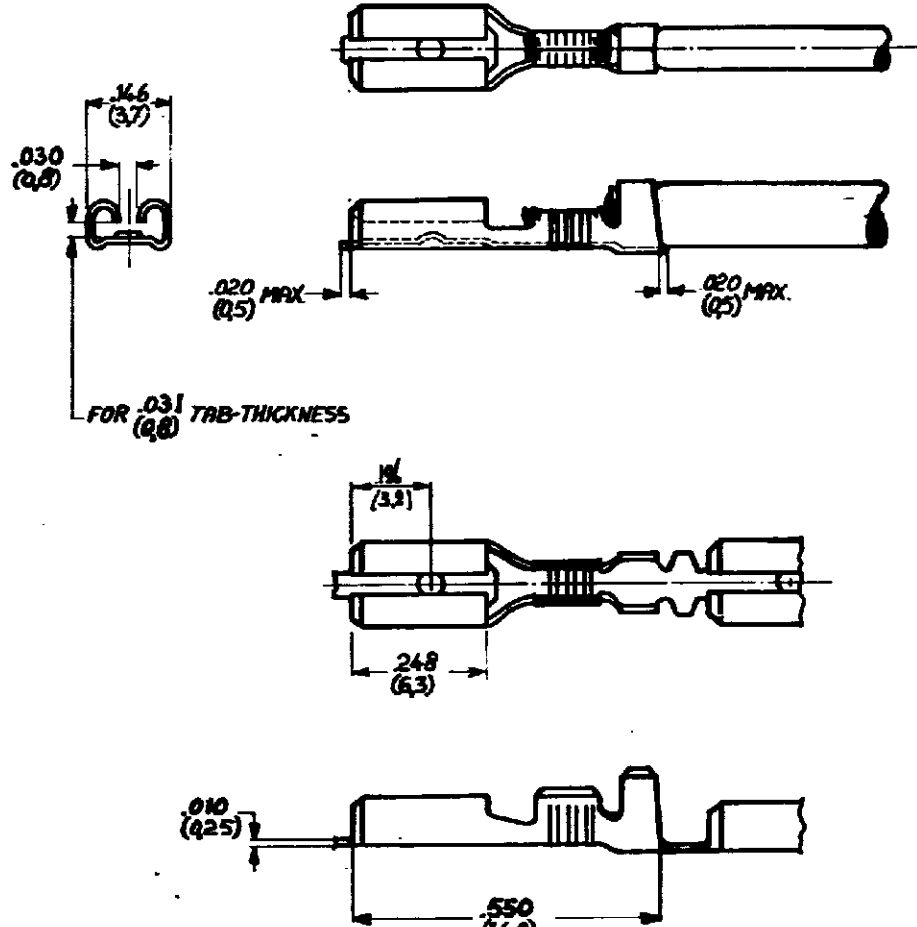


NUMBER C-160.772

DRAWING MADE IN AMERICAN PROJECTION

REV.	DESCRIPTION	DATE	DRAWN	APVD
B2	REVISED PER ECO-11-005140	31MAR11	RK	HMR
B3	REVISED PER ECR-20-009690	21OCT2020	MK	EW
B4	REVISED PER ECR-22-142152	27JUN2022	VA	EW



1 FOR USE ON MINIATURE AND STANDARD APPLICATORS

2 FOR USE ON MINIATURE APPLICATORS (AMP-B-MATOR APPLICATION)

3 REELED WITH PAPER LAYER.

4 OBSOLETE PARTS: OBSOLETE CIS STREAMLINING PER D.RENAUD/D.SINISI

5 GENERAL TOLERANCE IS ±0.3mm

DIMENSIONS IN (IN) DO NOT SCALE PRINT

QTY	DESCRIPTION	MATERIAL	PLATING
4	160772-4	BRASS	TIN
1	160772-3	BRASS	TIN
4	160772-2	BRASS	TIN
1	160772-1	BRASS	TIN

CUSTOMER COPY FOR REFERENCE ONLY

TE TE Connectivity

WIRE RANGE 26-22 AWG 0.18-0.35mm	INSUL. RANGE 0.50-0.80 DIA. (16-20)	FIRST USED
SCALE 4≈1	LOC H	SIZE A
NO C-160.772	REV B4	

DATE: 1/9/77 BY: A. BYNEN
DATE: 2/6/77 BY: [Signature]
DATE: 9-23-11-77 BY: [Signature]

110 Ser FASTON RECEPTACLE