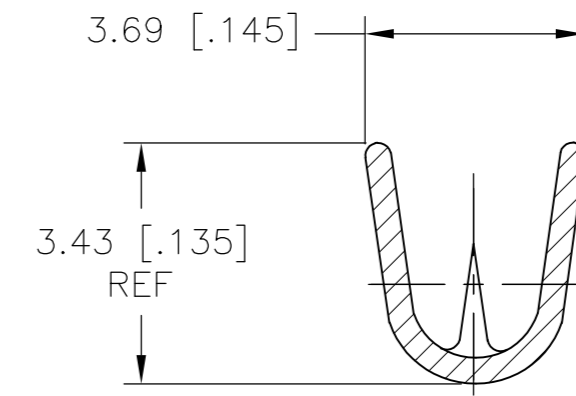
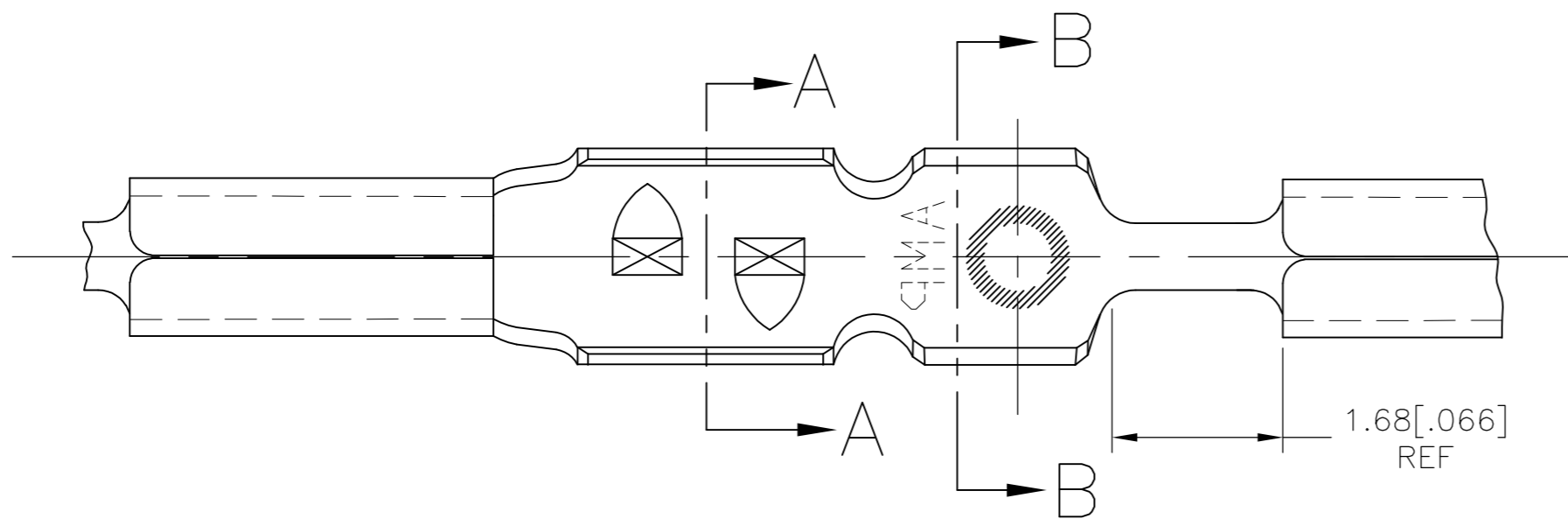
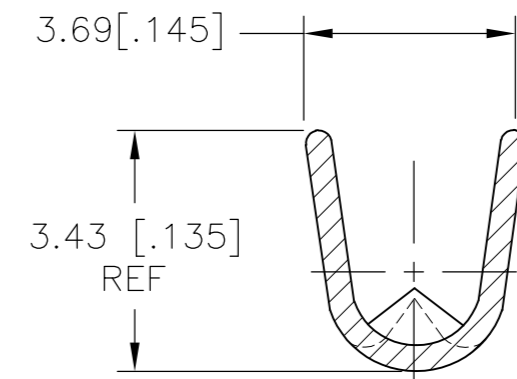
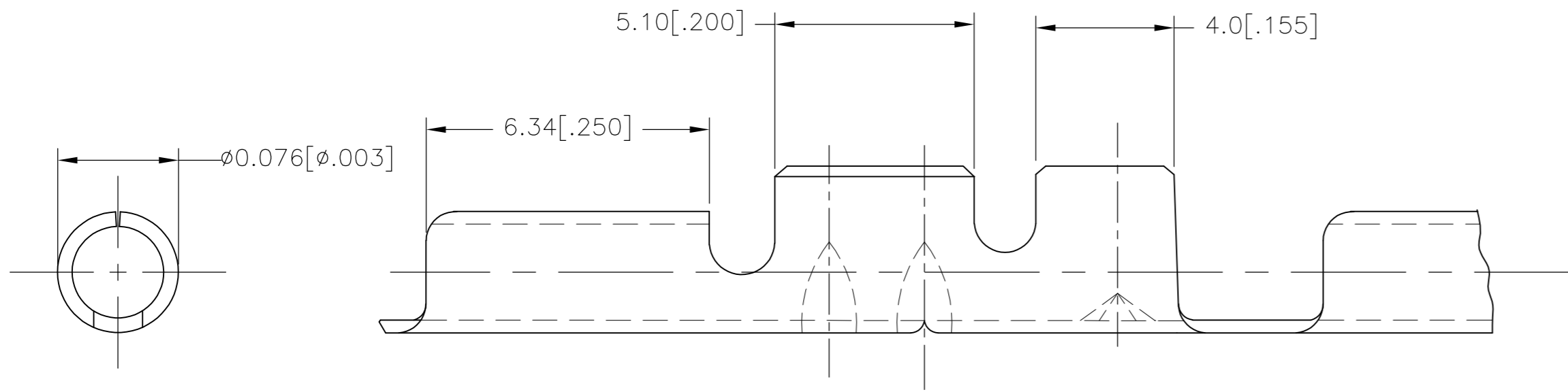


THIS DRAWING IS UNPUBLISHED. RELEASED FOR PUBLICATION
 © COPYRIGHT - By - ALL RIGHTS RESERVED.

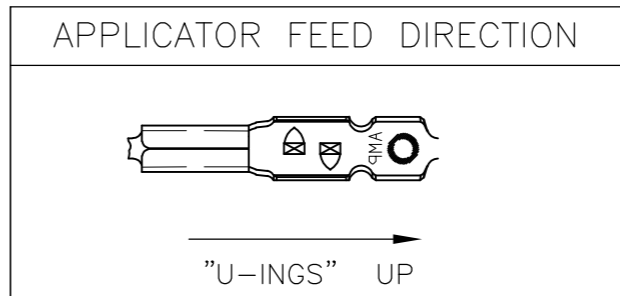
REVISIONS				
P	LTR	DESCRIPTION	DATE	APVD
A		NEW DRAWING	17NOV2016	RS TD



SECTION A-A



SECTION B-B



SURFACE AREA: SQ. IN
 WIRE RANGE: TINSEL
 INS. RANGE: 0.090-.105

160696-1
 PART NO

STOCK THK: 0.32 [.0126]

CODE	MATERIAL DESCRIPTION
A	BRASS

THIS DRAWING IS A CONTROLLED DOCUMENT.

DIMENSIONS: mm [INCHES]	TOLERANCES UNLESS OTHERWISE SPECIFIED:
	0 PLC ± -
	1 PLC ± -
	2 PLC ± 0.40 [.015]
	3 PLC ± 0.40 [.015]
	4 PLC ± -
	ANGLES ± -
MATERIAL SEE TABLE	FINISH SEE TABLE

DWN RAVI S 17NOV2016	 TE Connectivity	SIZE	CAGE CODE	DRAWING NO	RESTRICTED TO
CHK LI DAISY 17NOV2016		A2	00779	C=160696	-
APVD DING TIM 17NOV2016		SCALE	SHEET	REV	
PRODUCT SPEC		6:1	1 of 1	A	