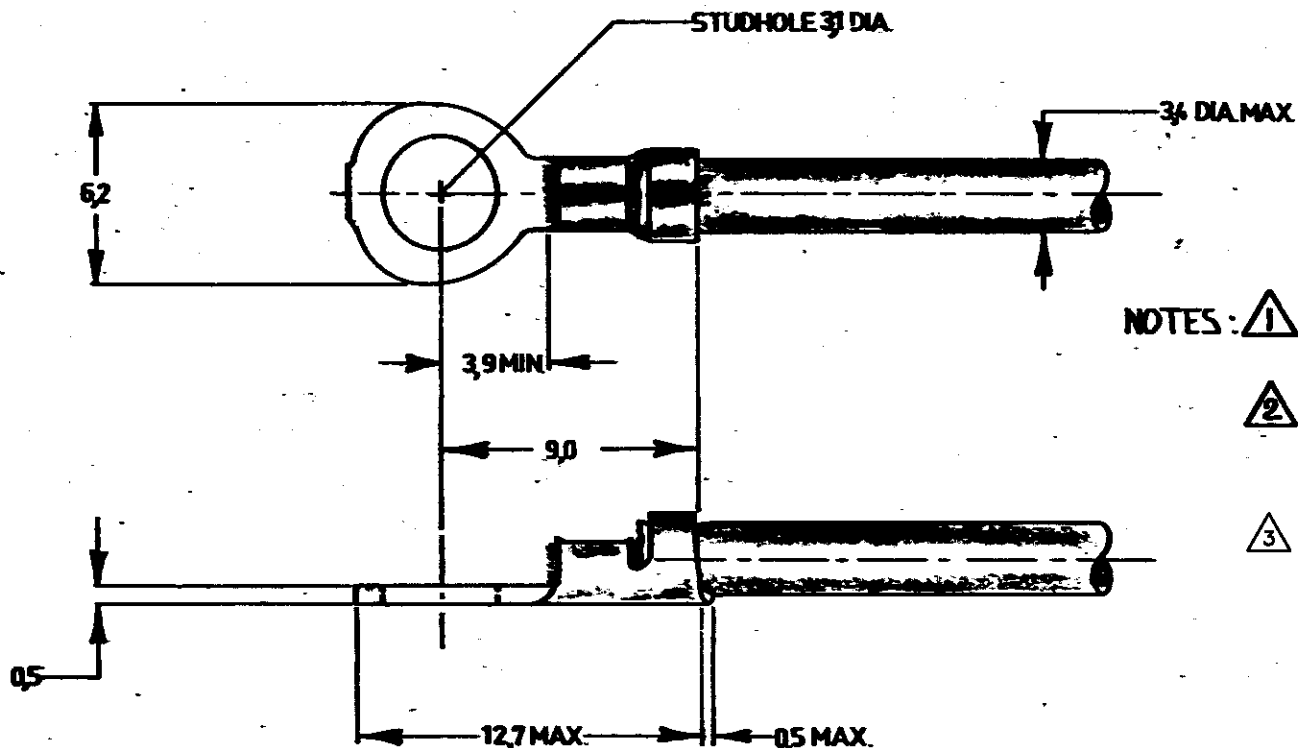


DIMENSIONS IN MILLIMETERS — DO NOT SCALE PRINT

NUMBER

C-160494 -E

LTR	DESCRIPTION	DATE	APPROVED
B1	REVISED PER ECO-09-022178	27 OCT 09	KK / AEG



- NOTES:
- 1 FOR USE ON STANDARD AND MINIATURE APPLICATORS
 - 2 FOR USE ON MINIATURE APPL (APP. O. MOTOR APPLICATION)
 - 3 OBSOLETE PARTS: OBSOLETE CIS STREAMLINING PER D. RENAUD/D. SINISI

ORDER NO 160494

3 OBSOLETE

UNPLATED	BRASS	160494-3	2
TIN PLATED	BRASS	160494-2	1
UNPLATED	BRASS	160494-1	1
FINISH	MATERIAL	ORDER NO	

CUSTOMER PRINT FOR REFERENCE ONLY

©1964 BY AMP Holland N.Y. ALL RIGHTS RESERVED. AMP PRODUCTS COVERED BY PATENTS AND/OR PATENTS PENDING.

REQUIRED PER ASSEMBLY										MATERIAL		HEAT TREAT		FINISH		
-9	-8	-7	-6	-5	-4	-3	-2	-1	AMP	DR. R. Vicer	DATE APP. 18-6-64	DATE REL. 10/1/64	DATE			
									AMP-HOLLAND N.V.	TYPE A.M.	DATE APP. 19/6/64	DATE FIRST USED 19/6/64				
									HERTOGENBOSCH HOLLAND	PRINT DIST	LOC HA	SER NUMBER C-160494-E	REV B1			
DESCRIPTION									SCALE 4=1	WIRE SIZE 05-14	CMA	NAME	RINGTONGUE WITH INS. SUPPORT			