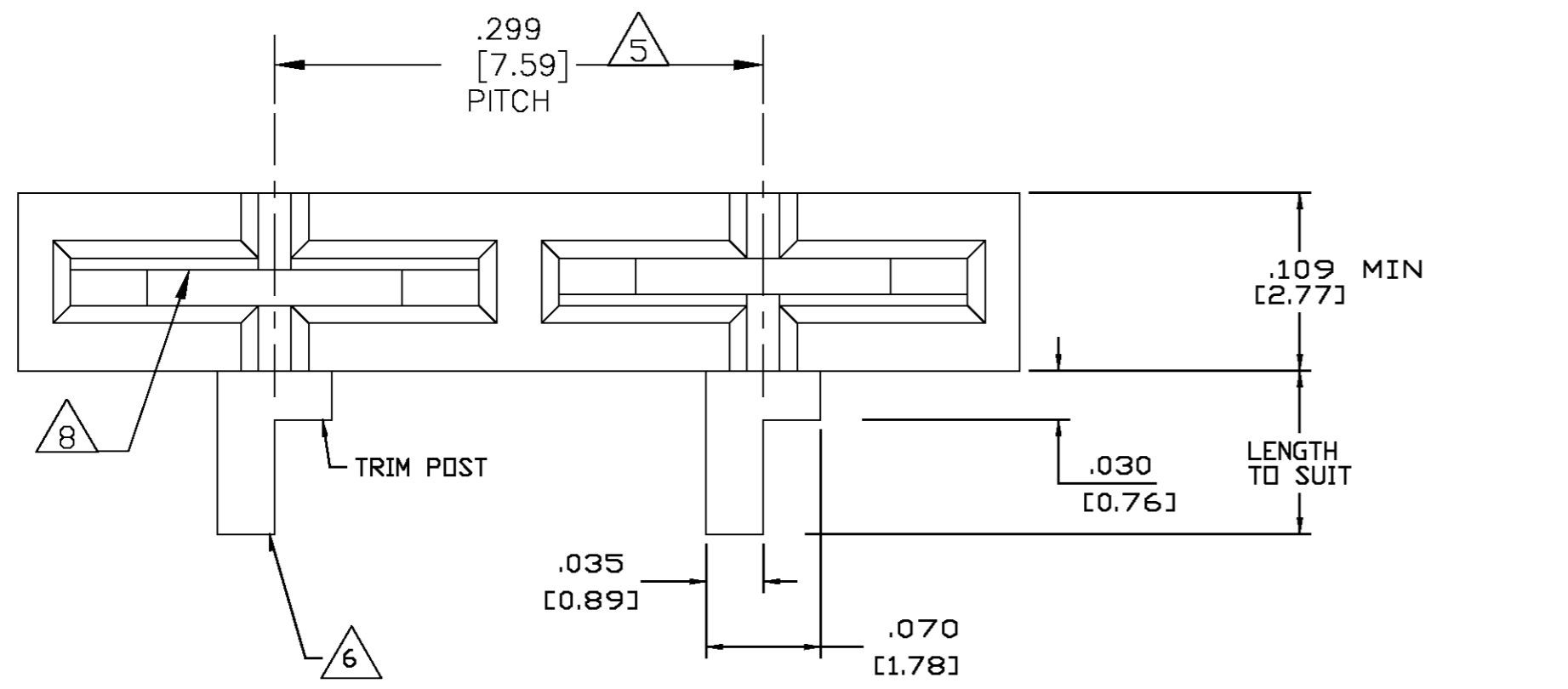
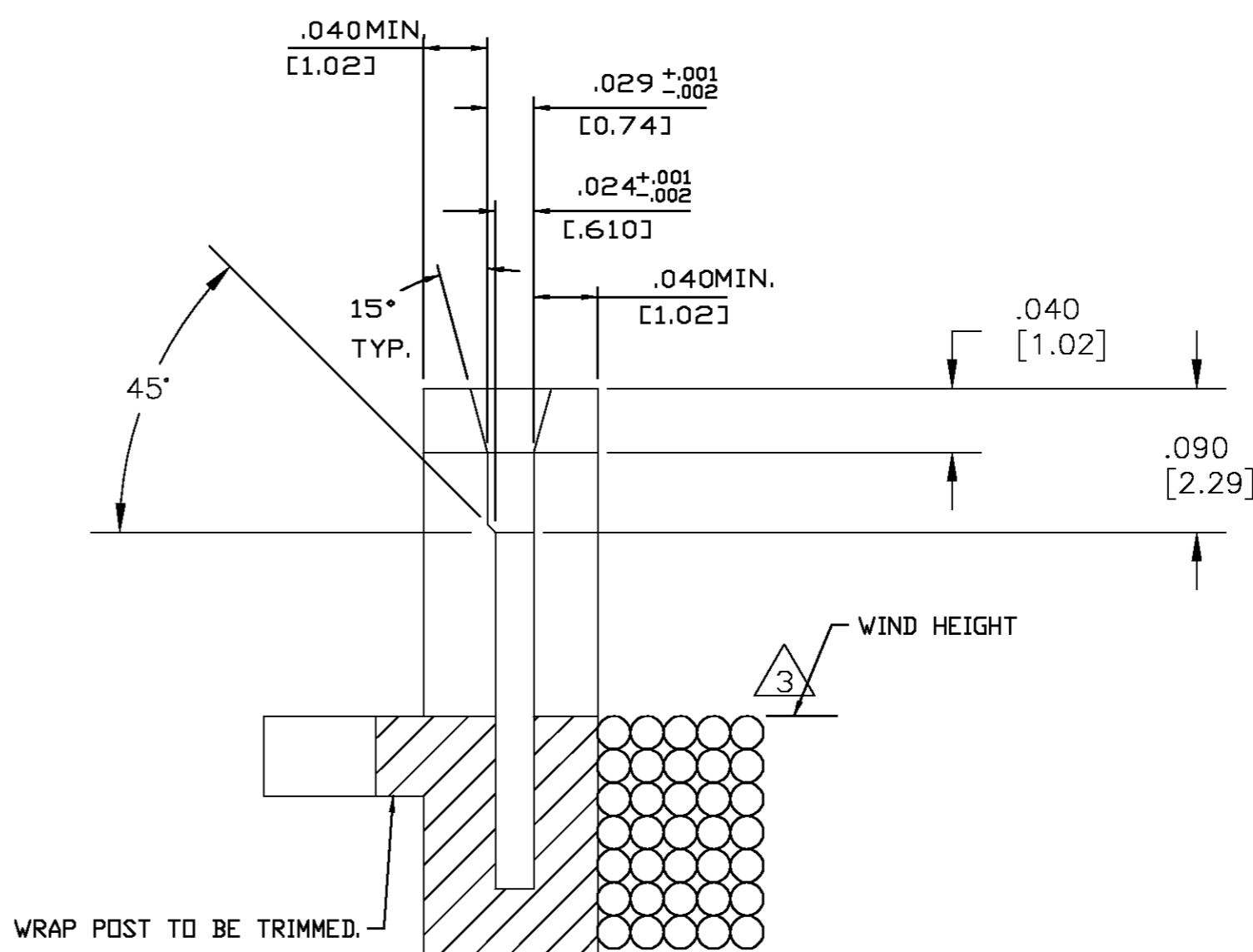
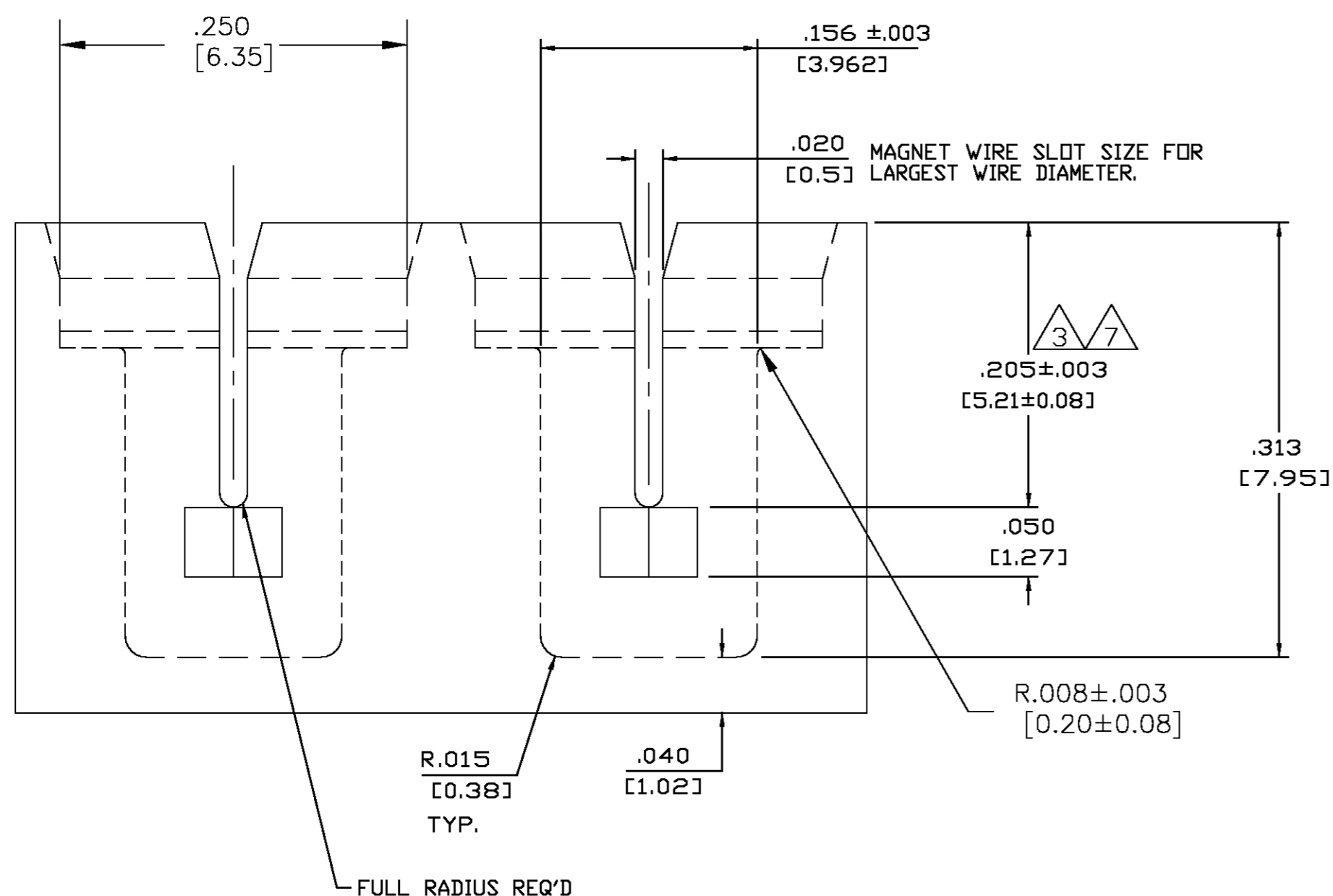


THIS DRAWING IS UNPUBLISHED. RELEASED FOR PUBLICATION
 © COPYRIGHT BY TYCO ELECTRONICS CORPORATION. ALL RIGHTS RESERVED.

LOC	DIST	REVISIONS					
AF	50	P	LTR	DESCRIPTION	DATE	DWN	APVD
		B		REV PER OG63-0077-03	27MAY03	MF	GJ



- DIMENSIONS SPECIFIED MAY VARY PER CUSTOMER APPLICATION, DO NOT TOOL WITHOUT TYCO ELECTRONICS REVIEW AND APPROVAL.
- TYCO ELECTRONICS REQUIRES THE FOLLOWING INFORMATION IN ORDER TO APPROVE THE CUSTOMERS APPLICATION DRAWING: MAGNET WIRE RANGE AND TYPE.
- MAGNET WIRE COIL MUST NOT EXCEED HEIGHT OF MAGNET WIRE SLOT AS SHOWN.
- MATERIAL RECOMMENDED: NYLON 6/6 30% GF, OTHER MATERIALS ARE ACCEPTABLE HOWEVER, CONSULT TYCO ELECTRONICS FOR SPECIFICATIONS.
- PITCH SHOWN IS APPLICATION SPECIFIC.
- WRAP POST REQUIRED FOR WIRE SIZES #30 AWG AND SMALLER. SEE SPEC DRAWING: 1601447.
- WIRE SLOT DEPTH SHOWN IS FOR #24 AWG [0.5mm] MAGNET WIRE. CONSULT TYCO ELECTRONICS FOR OTHER SIZES.
- POCKETS (CAVITIES) ARE SHOWN 180° FROM EACH OTHER TO ALLOW ONE TERMINAL TO SERVE AS BOTH LEFT AND RIGHT.



THIS DRAWING IS A CONTROLLED DOCUMENT.		DWN MICHAEL S. FEHER 05NOV2002	Tyco Electronics Corporation Harrisburg, PA 17105-3608	
DIMENSIONS: INCHES		CHK GENE JACONO 05NOV2002	NAME POCKET SPECIFICATION	
TOLERANCES UNLESS OTHERWISE SPECIFIED: 0 PLC ± - 1 PLC ± - 2 PLC ± .01[0.25] 3 PLC ± .005[0.13] 4 PLC ± - ANGLES ± 2°		APVD GENE JACONO 05NOV2002	PRODUCT SPEC APPLICATION SPEC 408-8629	
MATERIAL 4		FINISH -	WEIGHT -	RESTRICTED TO -
		SCALE 10:1	SHEET 1 OF 1	REV B

1601474