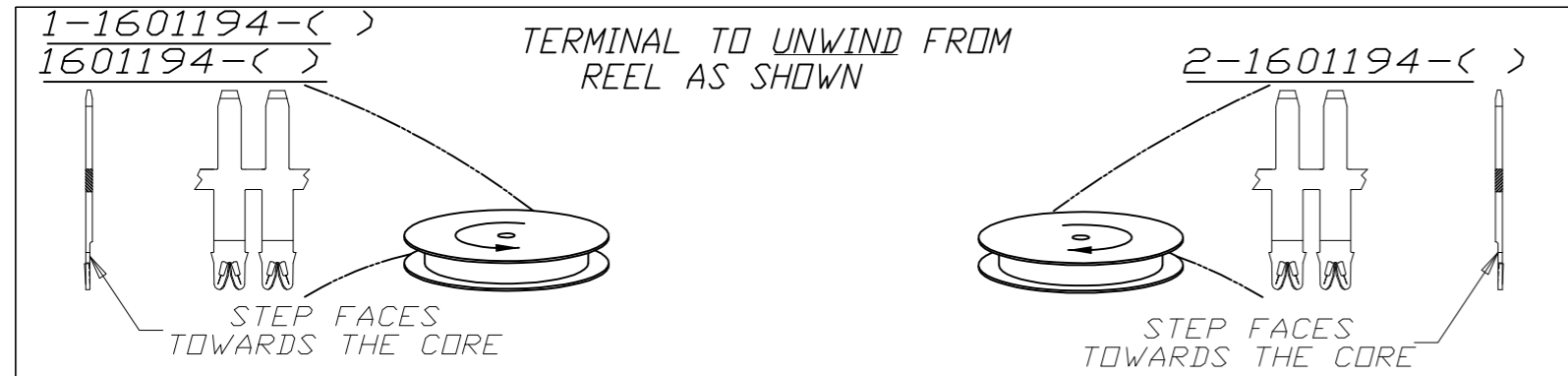
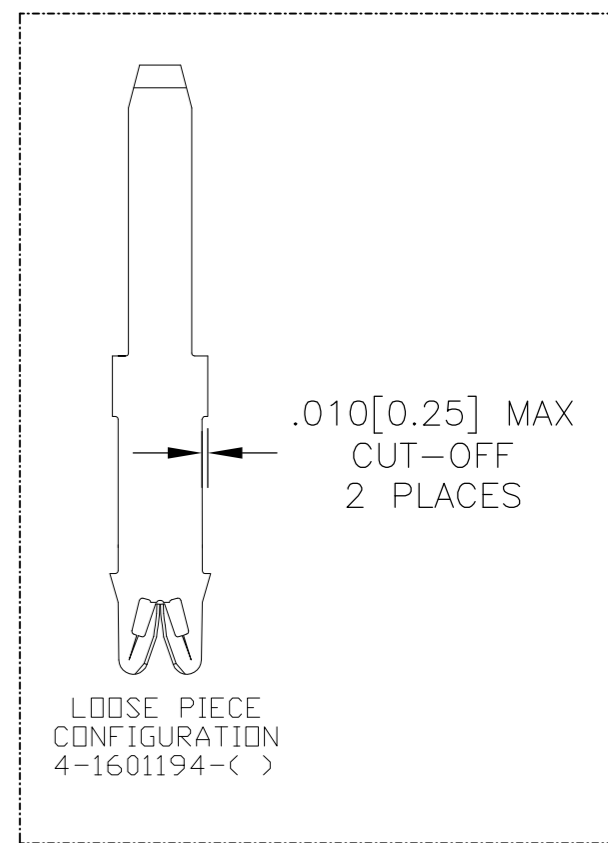
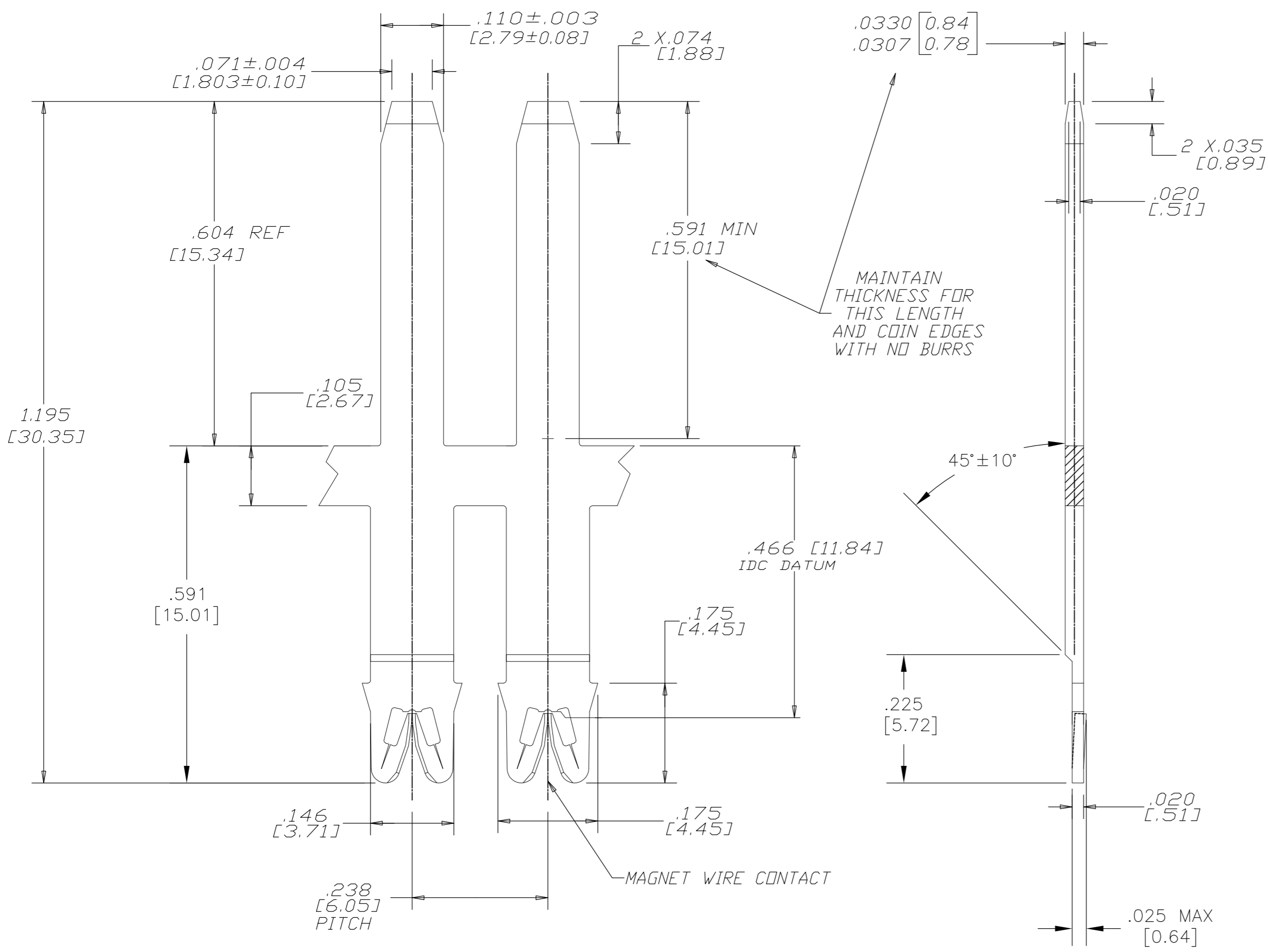


THIS DRAWING IS UNPUBLISHED. RELEASED FOR PUBLICATION
 © COPYRIGHT - By - ALL RIGHTS RESERVED.

LOC	DIST	REVISIONS			
P	LTR	DESCRIPTION	DATE	DWN	APVD
AF	50	B2	REVISE PER ECR-15-006776	12MAY2015	GRZ JL

- SPECIFICATIONS: MAGNET WIRE #34-#18 AWG
.006 inch[0.16 mm]-.040 inch[1.02mm] DIA COPPER.
- POCKET RECOMMENDATION: 1601431.
- .000120 inch[0.003048 mm] MIN POST TIN PLATE OVER
.000050 inch[0.00127 mm] MIN NICKEL UNDERPLATE.
- PLASTIC REEL AND PLASTIC INTERLEAVING



3	4	1-1601194-2
3		2-1601194-2
3		1601194-2
FINISH		PART NUMBER

THIS DRAWING IS A CONTROLLED DOCUMENT.		DWN MICHAEL S. FEHER 25MAY2004	TE Connectivity	
DIMENSIONS: INCHES [mm]		CHK GENE JACONO 25MAY2004	NAME STANDARD RANGE WIRE TO .110 X .032 TAB SIAMEZE TERMINAL	
TOLERANCES UNLESS OTHERWISE SPECIFIED: 0 PLC ± - 1 PLC ± - 2 PLC ± .01[0.25] 3 PLC ± .005[0.13] 4 PLC ± - ANGLES ± 2°		APVD GENE JACONO 25MAY2004	PRODUCT SPEC 108-2085	
MATERIAL BRASS, 3/4 HARD		FINISH SEE TABLE	APPLICATION SPEC 408-8629	RESTRICTED TO -
CUSTOMER DRAWING		WEIGHT -	SIZE A2	CAGE CODE 00779
SCALE 1:1		DRAWING NO C=1601194	SHEET 1 of 1	
		REV B2		