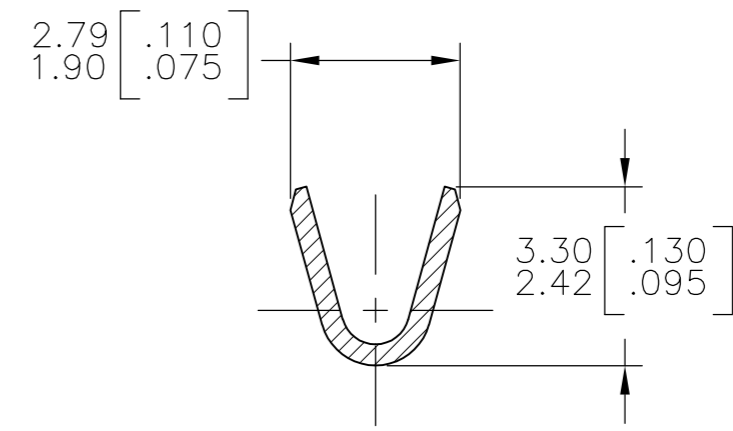
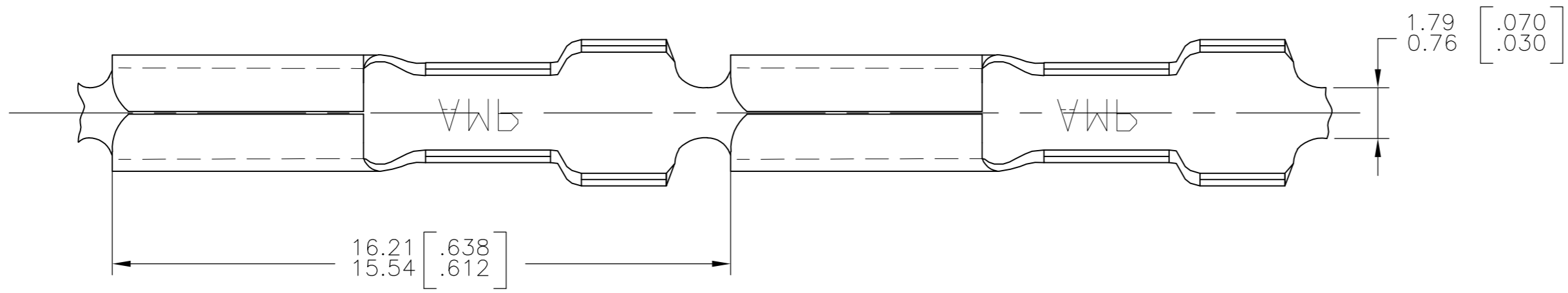
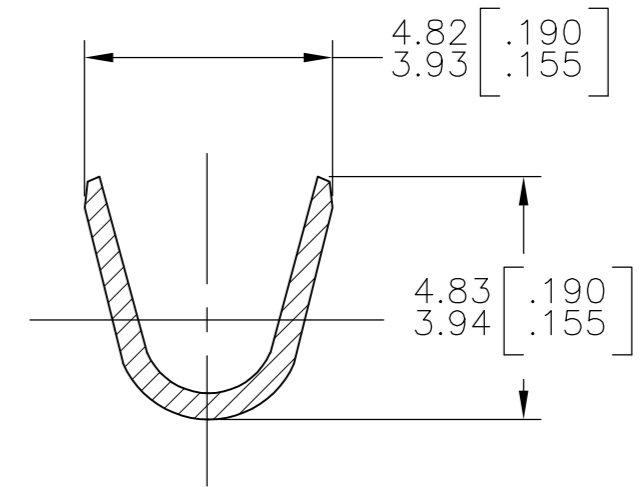
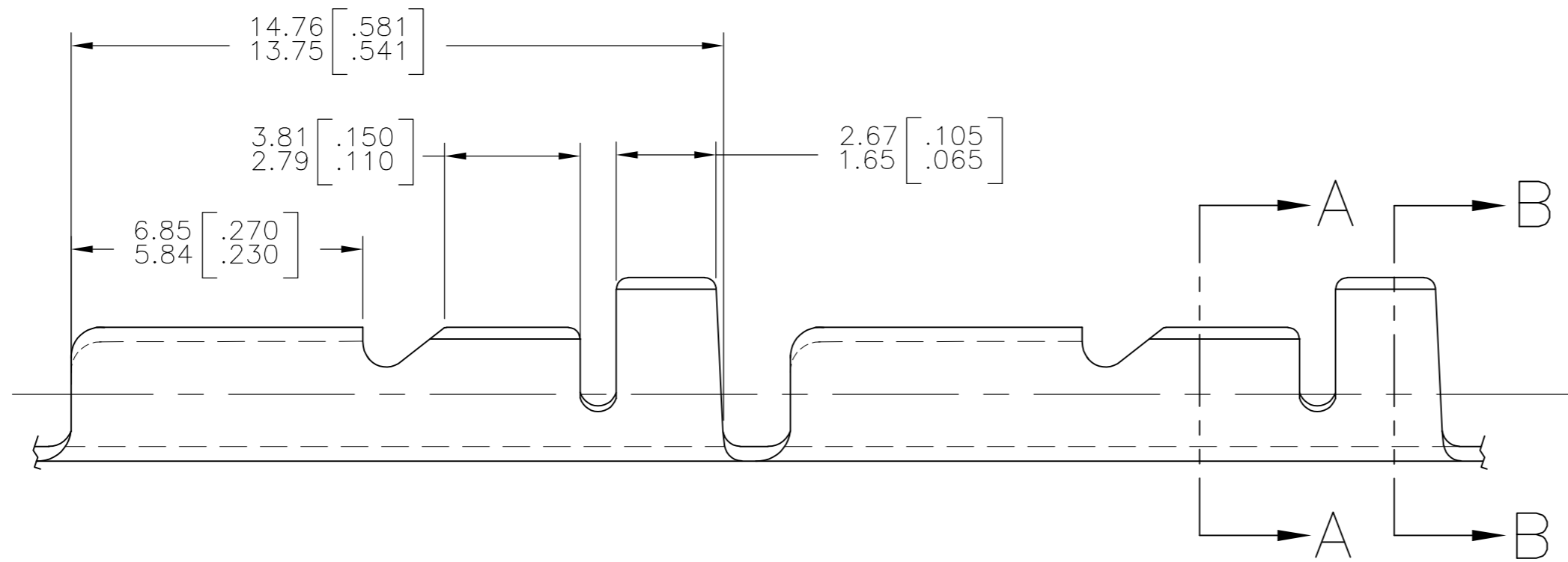


THIS DRAWING IS UNPUBLISHED. RELEASED FOR PUBLICATION
 © COPYRIGHT - By - ALL RIGHTS RESERVED.

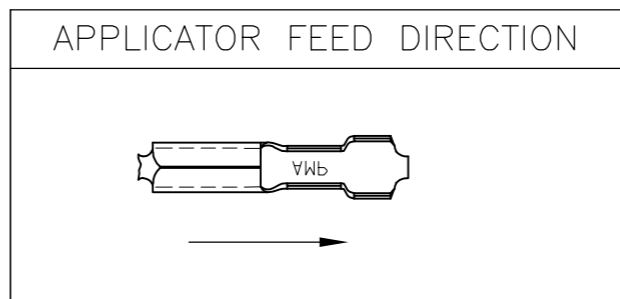
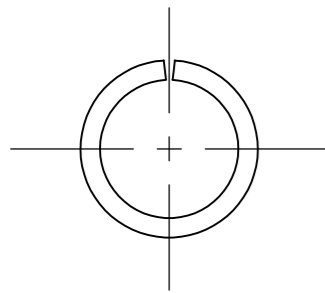
REVISIONS				
P	LTR	DESCRIPTION	DATE	APVD
A		NEW DRAWING	16NOV2016	RS TD



SECTION A-A



SECTION B-B



6000	BRASS TIN PLATING	160085-2
8000	BRASS	160085-1
QTY.	MATERIAL	PART NO

THIS DRAWING IS A CONTROLLED DOCUMENT.

DWN	RAVI S	16NOV2016
CHK	LI DAISY	16NOV2016
APVD	DING TIM	16NOV2016
PRODUCT SPEC		
APPLICATION SPEC		
WEIGHT	-	
CUSTOMER DRAWING		

TE TE Connectivity		AM-RUNDSTECKHUELSE	
SIZE	CAGE CODE	DRAWING NO	RESTRICTED TO
A2	00779	C=160085	-
SCALE	SHEET	REV	
6:1	1 of 1	A	

SURFACE AREA: 3600 SQ. IN
WIRE RANGE: 20-18
INS. RANGE: Ø.130-.160
STOCK THK: 0.32 [.0126]

DIMENSIONS:	TOLERANCES UNLESS OTHERWISE SPECIFIED:
mm [INCHES]	
0 PLC	± -
1 PLC	± -
2 PLC	± -
3 PLC	± 0.40 [.015]
4 PLC	± -
ANGLES	± -
MATERIAL	FINISH
SEE TABLE	SEE TABLE