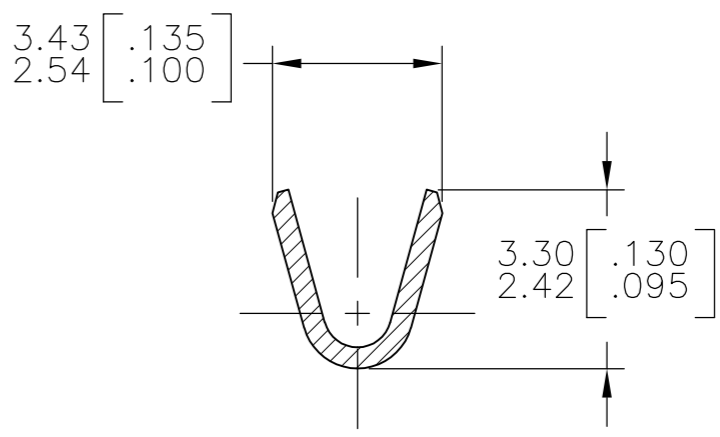
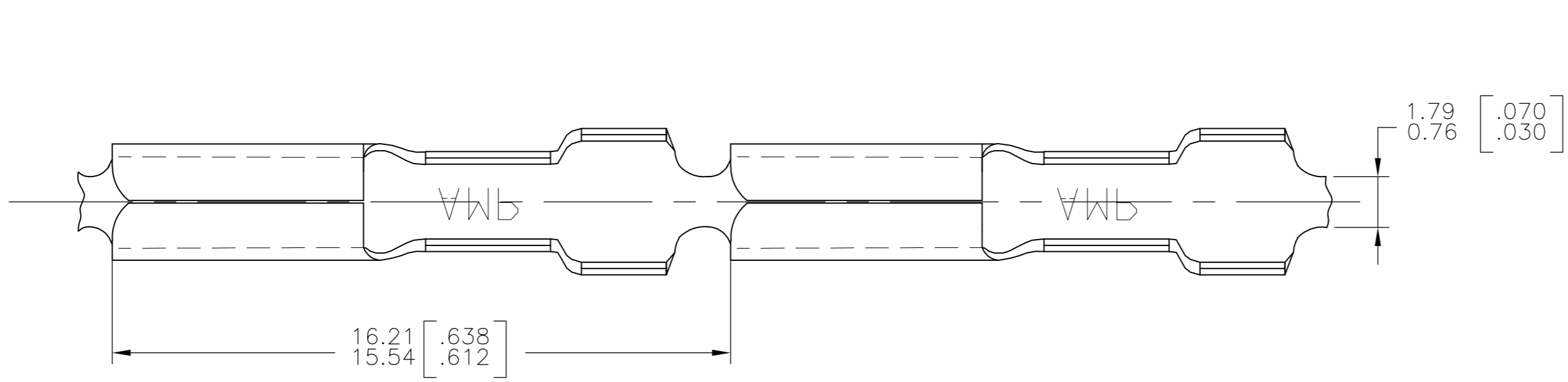
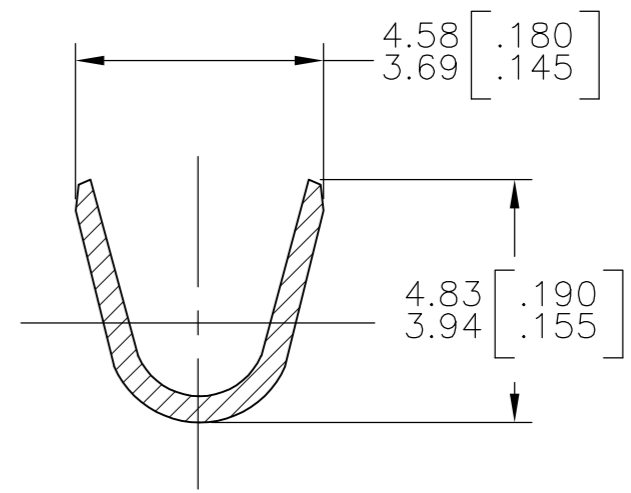
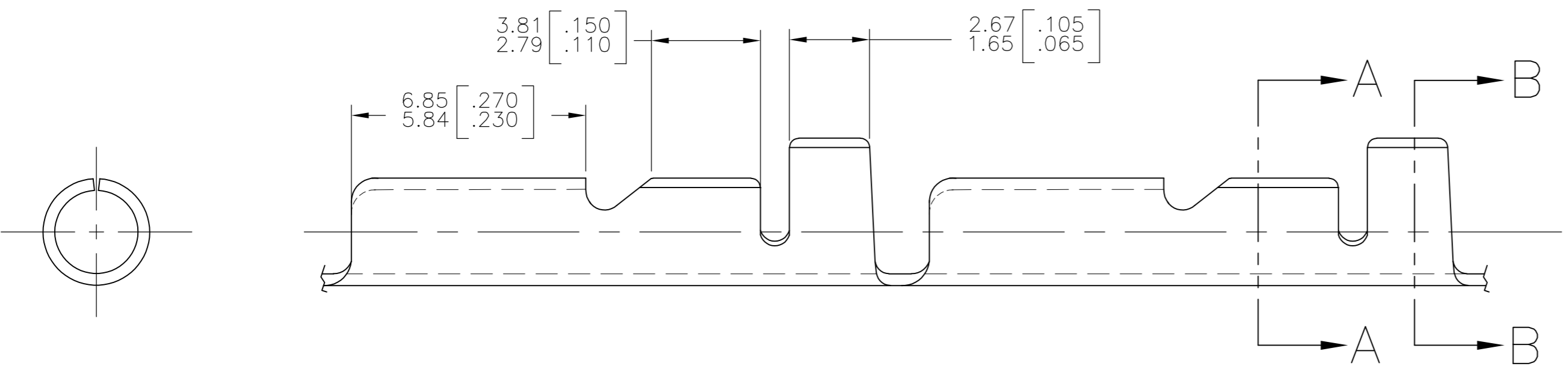


THIS DRAWING IS UNPUBLISHED. RELEASED FOR PUBLICATION  
 © COPYRIGHT - By - ALL RIGHTS RESERVED.

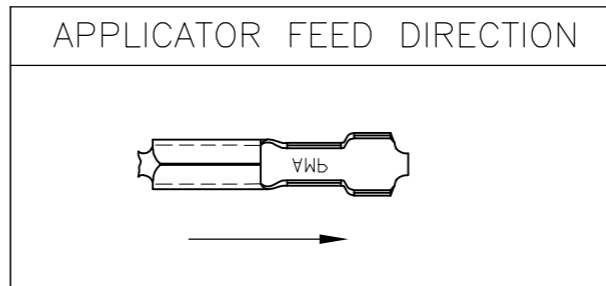
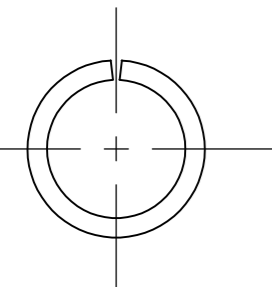
REVISIONS				
P	LTR	DESCRIPTION	DATE	APVD
A		NEW DRAWING	16NOV2016	RS TD



SECTION A-A



SECTION B-B



6000	BRASS TIN PLATING	160063-2
8000	BRASS	160063-1
QTY.	MATERIAL	PART NO

THIS DRAWING IS A CONTROLLED DOCUMENT.		DWN RAVI S 16NOV2016	 TE Connectivity PIN RECEPTACLE
DIMENSIONS: mm [INCHES]		CHK LI DAISY 16NOV2016	
TOLERANCES UNLESS OTHERWISE SPECIFIED:		APVD DING TIM 16NOV2016	
0 PLC ± - 1 PLC ± - 2 PLC ± - 3 PLC ± 0.40[.015] 4 PLC ± - ANGLES ± -		NAME	
MATERIAL SEE TABLE		FINISH SEE TABLE	SIZE A2 CAGE CODE 00779 DRAWING NO C=160063 RESTRICTED TO - WEIGHT - APPLICATION SPEC PRODUCT SPEC
WIRE RANGE: 20-18		CUSTOMER DRAWING	
INS. RANGE: Ø.090-.130		SCALE 6:1 SHEET 1 of 1 REV A	
STOCK THK: 0.32[.0126]			

160063