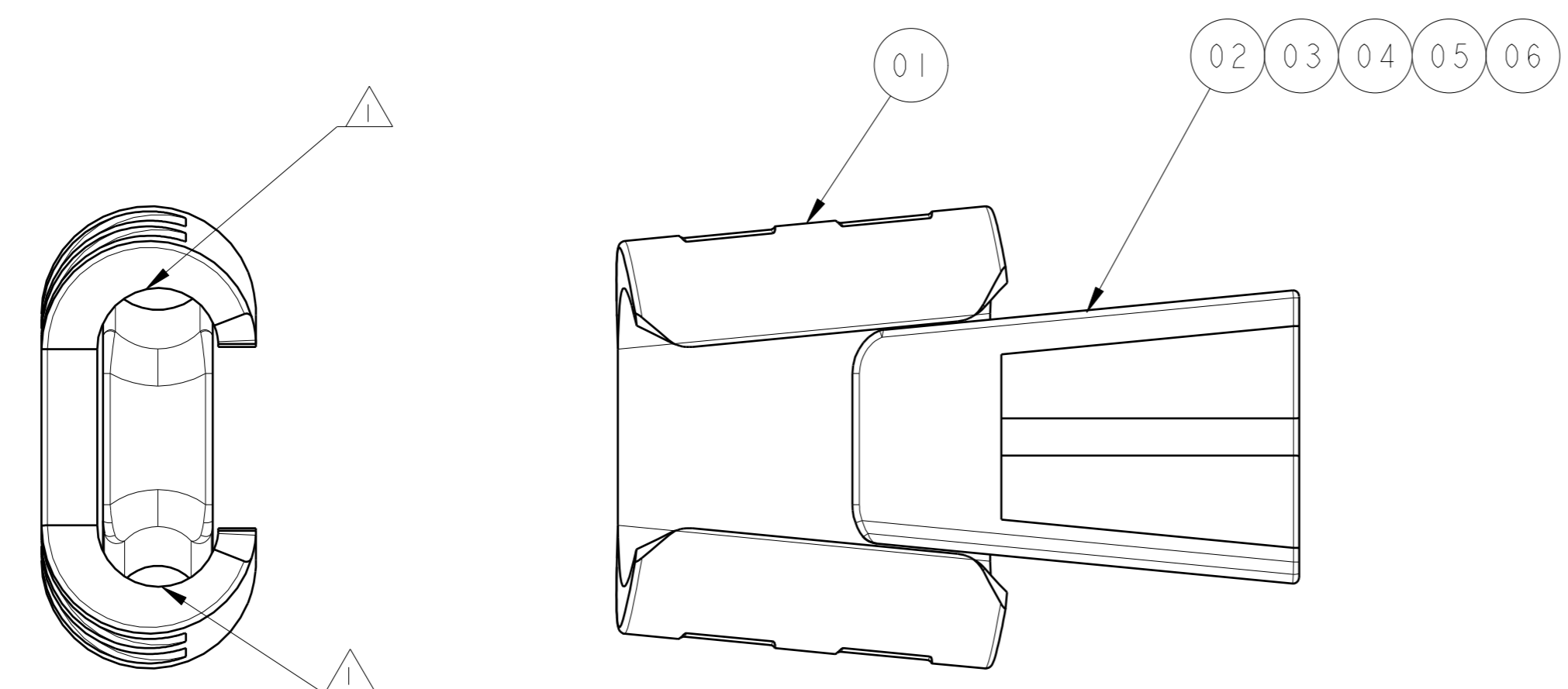


LOC	DIST	REVISIONS					
AP	-	P	LTR	DESCRIPTION	DATE	DWN	APVD
		0		RELEASED	01DEC2005	VF	JAL
		A		ECO-08-020033	18SEP2008	GO	WB

CAD
 DO NOT REVISE
 EXCEPT BY CAD



⚠ - SYNTHETIC INHIBITOR IN BOTH SIDES "C" MEMBER AND WEDGE MEMBER.

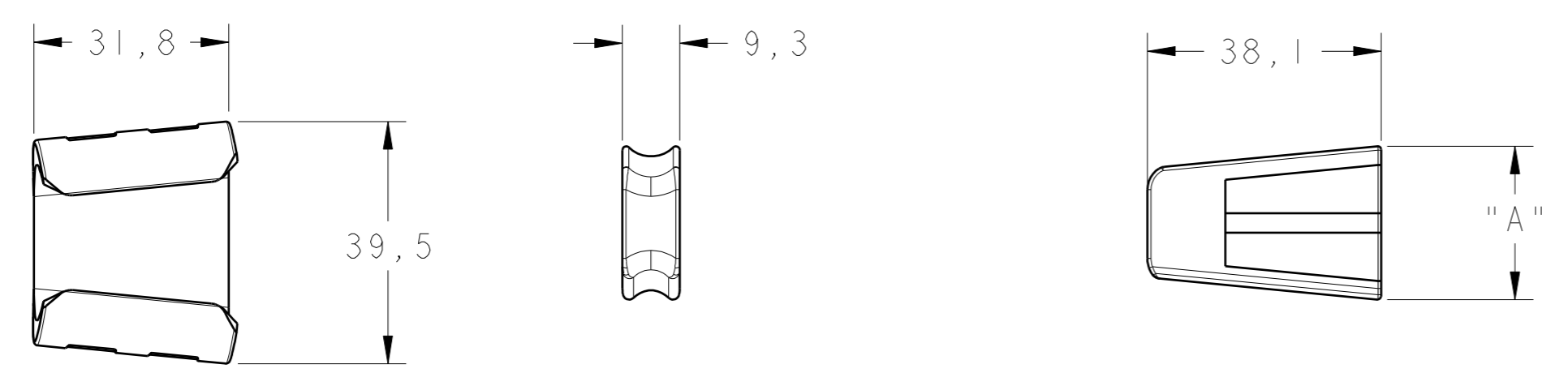
2 - APPLICABLE CABLE RANGE:

SUM OF DIA.		RUN WIRE		TAP WIRE		PART NUMBER
MAX.	MIN.	MAX.	MIN.	MAX.	MIN.	
13,46	10,41	8,38	5,18	6,55	4,11	1599783-1
11,81	8,41	6,55	4,11	5,84	4,11	1599783-2
16,66	13,08	10,11	6,55	8,38	5,18	1599783-3
15,29	11,79	10,11	6,55	6,55	4,11	1599783-4
18,39	14,81	10,11	6,55	10,11	6,55	1599783-5

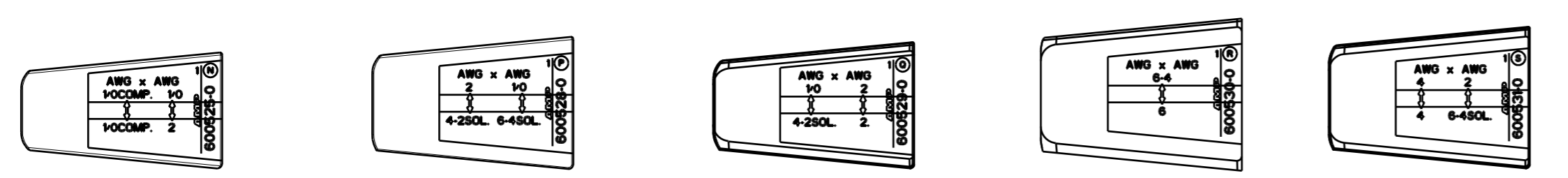
⚠ - INIBIDOR SINTÉTICO EM AMBOS OS LADOS DO COMPONENTE "C" E DO COMPONENTE CUNHA.

2 - FAIXA APLICÁVEL DE CABOS:

SOMA DOS DIÂMETROS		CONDUTOR PRINCIPAL		CONDUTOR DERIVAÇÃO		PART NUMBER
MAX.	MIN.	MAX.	MIN.	MAX.	MIN.	
13,46	10,41	8,38	5,18	6,55	4,11	1599783-1
11,81	8,41	6,55	4,11	5,84	4,11	1599783-2
16,66	13,08	10,11	6,55	8,38	5,18	1599783-3
15,29	11,79	10,11	6,55	6,55	4,11	1599783-4
18,39	14,81	10,11	6,55	10,11	6,55	1599783-5



ENGRAVING



PN 1599783-5 PN 1599783-4 PN 1599783-3 PN 1599783-2 PN 1599783-1

1	-	-	-	-	6	21,6	ALUMINUM ALLOY	WEDGE MEMBER	
-	1	-	-	-	5	24,7	ALUMINUM ALLOY	WEDGE MEMBER	
-	-	1	-	-	4	23,7	ALUMINUM ALLOY	WEDGE MEMBER	
-	-	-	1	-	3	28,8	ALUMINUM ALLOY	WEDGE MEMBER	
-	-	-	-	1	2	26,4	ALUMINUM ALLOY	WEDGE MEMBER	
1	1	1	1	1	1	—	ALUMINUM ALLOY	"C" MEMBER	
-5	-4	-3	-2	-1					
REQ. PER ASS'Y						ITEM	"A"	MATERIAL	DESCRIPTION
1599783									

DIMENSIONS: mm 		TOLERANCES UNLESS OTHERWISE SPECIFIED: 0 PLC ± 1 PLC ±1,5 2 PLC ± 3 PLC ± 4 PLC ± ANGLES ± FINISH ±		DWN V. FUZZETTI 01DEC2005 CHK L. O. M. BORELLI 01DEC2005 APVD J. A. I. A. SALVIA 01DEC2005 PRODUCT SPEC 108-37074-1 APPLICATION SPEC 411-37044-1 WEIGHT - CUSTOMER DRAWING		Tyco Electronics TYCO ELECTRONICS do Brasil LTDA. Sao Paulo, Brasil NAME SMALL ECONECT ASS'Y SIZE A2 CAGE CODE 00779 DRAWING NO C=1599783 RESTRICTED TO - SCALE - SHEET 1 OF 1 REV A	
-----------------------	--	--	--	--	--	--	--