

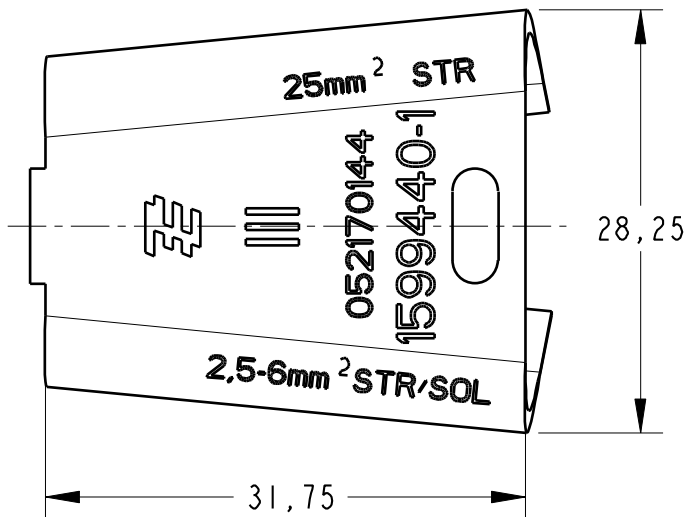
THIS DRAWING IS UNPUBLISHED.

RELEASED FOR PUBLICATION

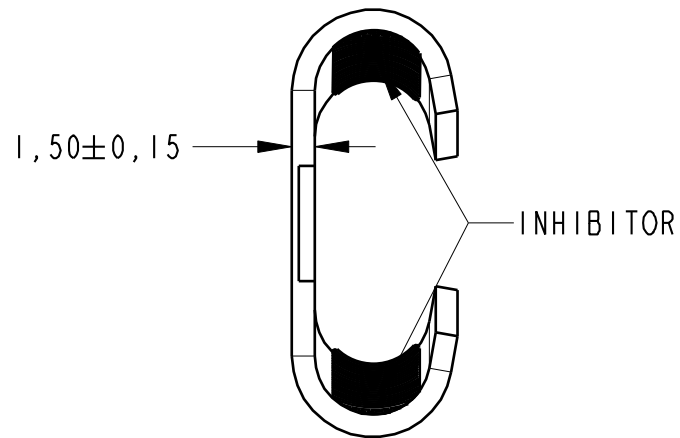
20

© COPYRIGHT 20 BY TYCO ELECTRONICS CORPORATION. ALL RIGHTS RESERVED.

LOC	DIST	REVISIONS			
P	LTR	DESCRIPTION	DATE	DWN	APVD
AP	-	A3	ECO-08-004182	31MAR2008	GO WB

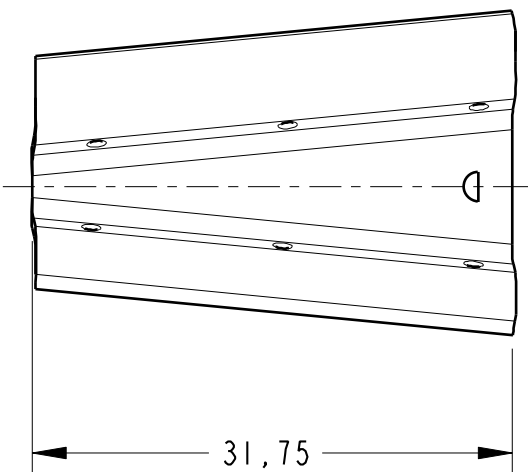


VIEW FOR 1599440-1

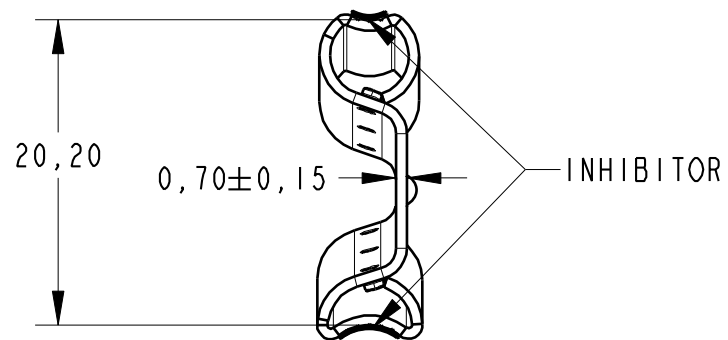


"C" MEMBER

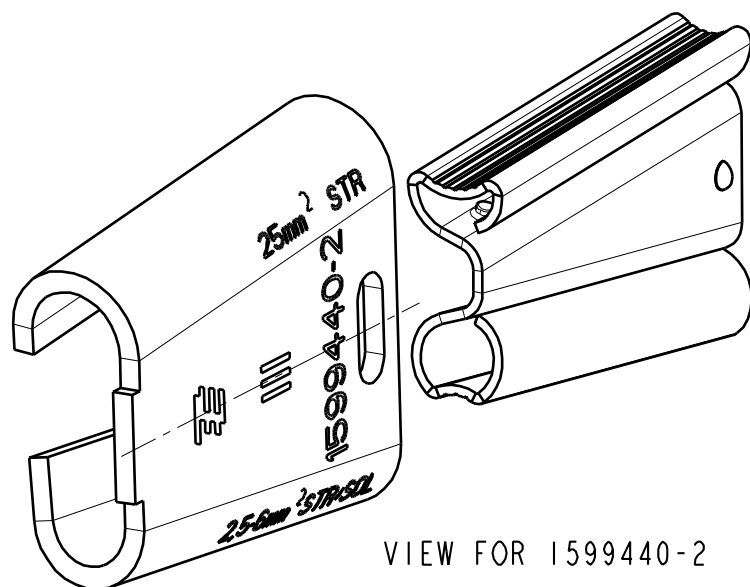
△ - RESTRICTED CUSTOMER.



WEDGE MEMBER



9,50	4,70	6,55	2,54	4,65	1,27	ESTANHADO TIN PLATED	LATÃO BRASS	1599440-2 △
9,50	4,70	6,55	2,54	4,65	1,27	ESTANHADO TIN PLATED	LATÃO BRASS	1599440-1
MAX.	MIN.	MAX.	MIN.	MAX.	MIN.	FINISH	MATERIAL	PART NUMBER
SOMA DOS DIÂMETROS SUM		CABO PRINCIPAL TOP GROOVE		CABO DERIVAÇÃO BOTTOM GROOVE				
DIÂMETRO LIMITE DOS CABOS WIRE DIAMETER LIMITE								



VIEW FOR 1599440-2

<small>THIS DRAWING IS A CONTROLLED DOCUMENT FOR TYCO ELECTRONICS CORPORATION IT IS SUBJECT TO CHANGE AND THE CONTROLLING ENGINEERING ORGANIZATION SHOULD BE CONTACTED FOR THE LATEST REVISION.</small>		DWN V.FUZZETTI 24JUN2004 CHK L.O.M.BORELLI 24JUN2004 APVD J.A.LA.SALVIA 24JUN2004	Tyco Electronics TYCO ELECTRONICS do Brasil LTDA. Sao Paulo, Brasil
DIMENSIONS: mm	TOLERANCES UNLESS OTHERWISE SPECIFIED: 0 PLC ± 1 PLC ± 2 PLC ±1,50 3 PLC ± 4 PLC ± ANGLES ±	PRODUCT SPEC 108-37003 APPLICATION SPEC -	NAME U.D.CONNECTOR (AMPACTINHO) ASS'Y TYPE III +
MATERIAL SEE TABLE	FINISH SEE TABLE	WEIGHT -	SIZE A3 CAGE CODE 00779 DRAWING NO C=1599440 RESTRICTED TO -
CUSTOMER DRAWING			SCALE - SHEET 1 OF 1 REV A3