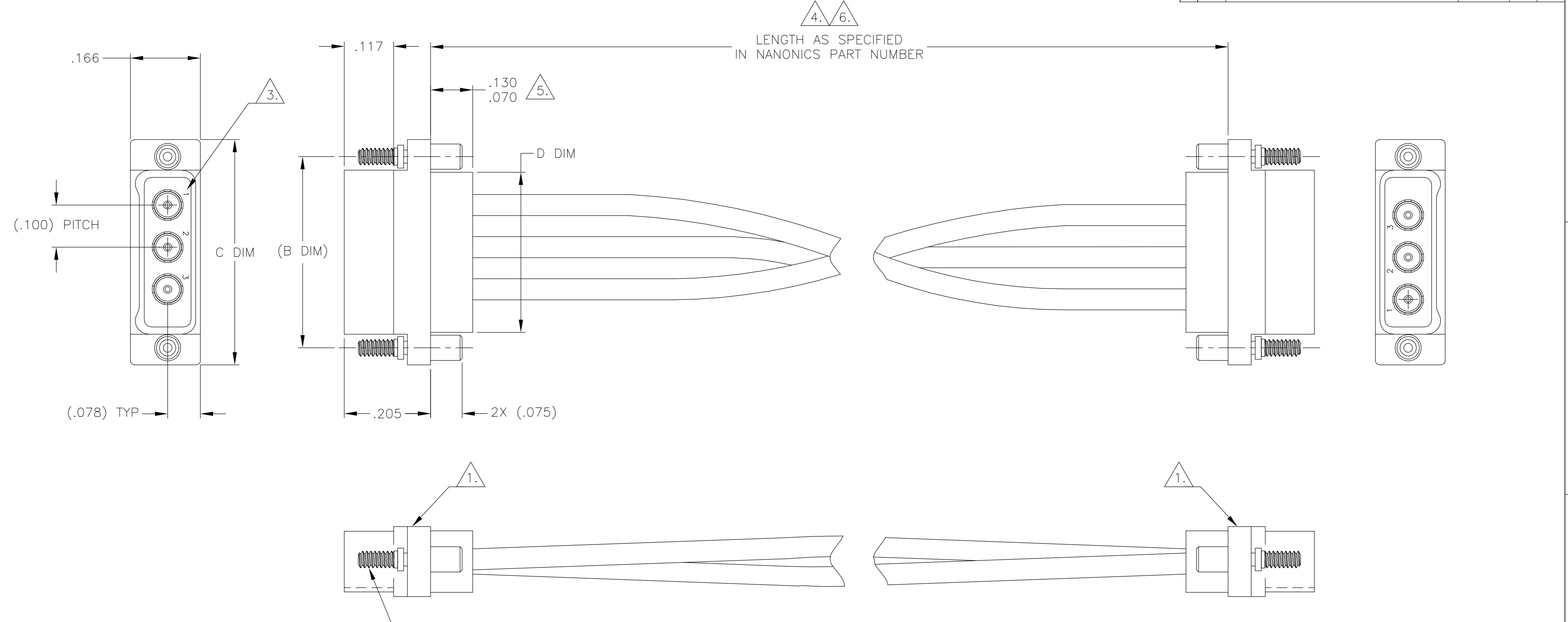


THIS DRAWING IS UNPUBLISHED. RELEASED FOR PUBLICATION
 © COPYRIGHT BY TYCO ELECTRONICS CORPORATION. ALL RIGHTS RESERVED.

LOC	DIST	REVISIONS			
P	LTR	DESCRIPTION	DATE	DWN	APVD
		C1	UPDATE PER ECO-05-009056	08 SEP 05	MJS MKS



2X 1.00UNM (0.25mm PITCH) CAPTIVE JACKSCREW 2.

No. COAX POSITIONS	(B DIM)	C DIM	D DIM
1	(.254)	.335	.18
2	(.354)	.435	.28
3	(.454)	.535	.38
4	(.554)	.635	.48
5	(.654)	.735	.58
6	(.754)	.835	.68
7	(.854)	.935	.78
8	(.954)	1.035	.88
9	(1.054)	1.135	.98

- 1. SHELL MATERIAL: 6061-T6 ALUMINUM, ELECTROLESS NICKEL PLATED PER SAE-AMS-C-26074
INSULATOR MATERIAL: LIQUID CRYSTAL POLYMER (LCP) PER MIL-M-24519 OR PER ASTM D5138
- 2. STANDARD 1.00UNM CAPTIVE JACKSCREWS ARE SHOWN FOR REFERENCE ONLY AND MUST BE SPECIFIED IN THE NANONICS PART NUMBER WHEN REQUIRED. JACKSCREW MATERIAL IS 303 STAINLESS STEEL, PASSIVATED PER SAE-AMS-2700, AND DRY LUBED PER DOD-L-85645. RETAINING RING IS 17-4 STAINLESS STEEL, PASSIVATED PER SAE-AMS-2700. JACKSCREWS HAVE A .9mm HEX SOCKET HEAD. 1.20UNM JACKSCREWS ALSO AVAILABLE
- 3. CONTACT NUMBERS ARE FOR REFERENCE ONLY AND ARE NOT MARKED ON THE PART
- 4. THIS CONFIGURATION TO BE TERMINATED WITH RG-178 COAX CABLE. WIRING IS 1 TO 1
- 5. BACKPOTTING STANDARD FOR WIRED COAX ASSEMBLIES
- 6. LENGTH TOLERANCE: UP TO 25.0 INCHES $\pm .25$; 25.0 INCHES AND LONGER $\pm 1\%$
- 7. TIE WIRES EVERY 12" FOR ASSEMBLIES OVER 24" IN LENGTH (NOT SHOWN)
- 8. DIMENSIONS TYPICAL FOR BOTH CONNECTORS
- 9. COAX SHIELDS SOLDERED TO OUTER CONTACTS WITH Sn63Pb37 AND RMA FLUX
- 10. THIS DRAWING PREVIOUSLY IDENTIFIED AS NANONICS 303-0111

THIS DRAWING IS A CONTROLLED DOCUMENT.		DWN C SCHOLL 22 SEP 04	Tyco Electronics Corporation Harrisburg, Pa 17105-3608	
DIMENSIONS: INCHES		CHK M. STORRY 22 SEP 04		
TOLERANCES UNLESS OTHERWISE SPECIFIED:		APVD -	NAME	
0 PLC ± - 1 PLC ± - 2 PLC ± .010 3 PLC ± .005 4 PLC ± - ANGLES ± 1°		PRODUCT SPEC -	PLUG TO PLUG JUMPER, 1-9 POSITION COAX, 50 OHM, METAL, WIRED 1 TO 1	
MATERIAL SEE NOTES		FINISH SEE NOTES	WEIGHT -	RESTRICTED TO -
CUSTOMER DRAWING		SCALE 4:1	SIZE A2	CAGE CODE 00779
		DRAWING NO C=1589886	DRAWING NO 1589886	
		SHEET 1	OF 1	
		REV C1		

1589886