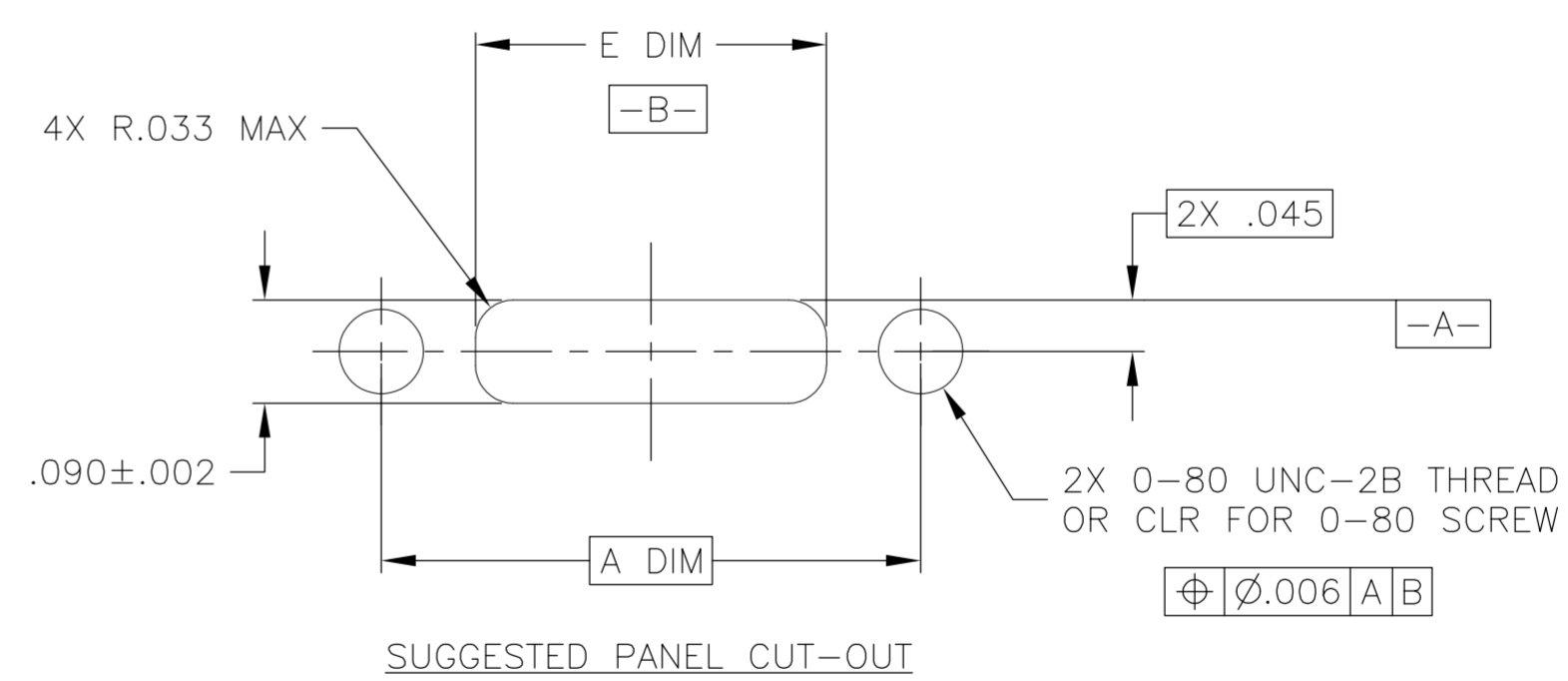
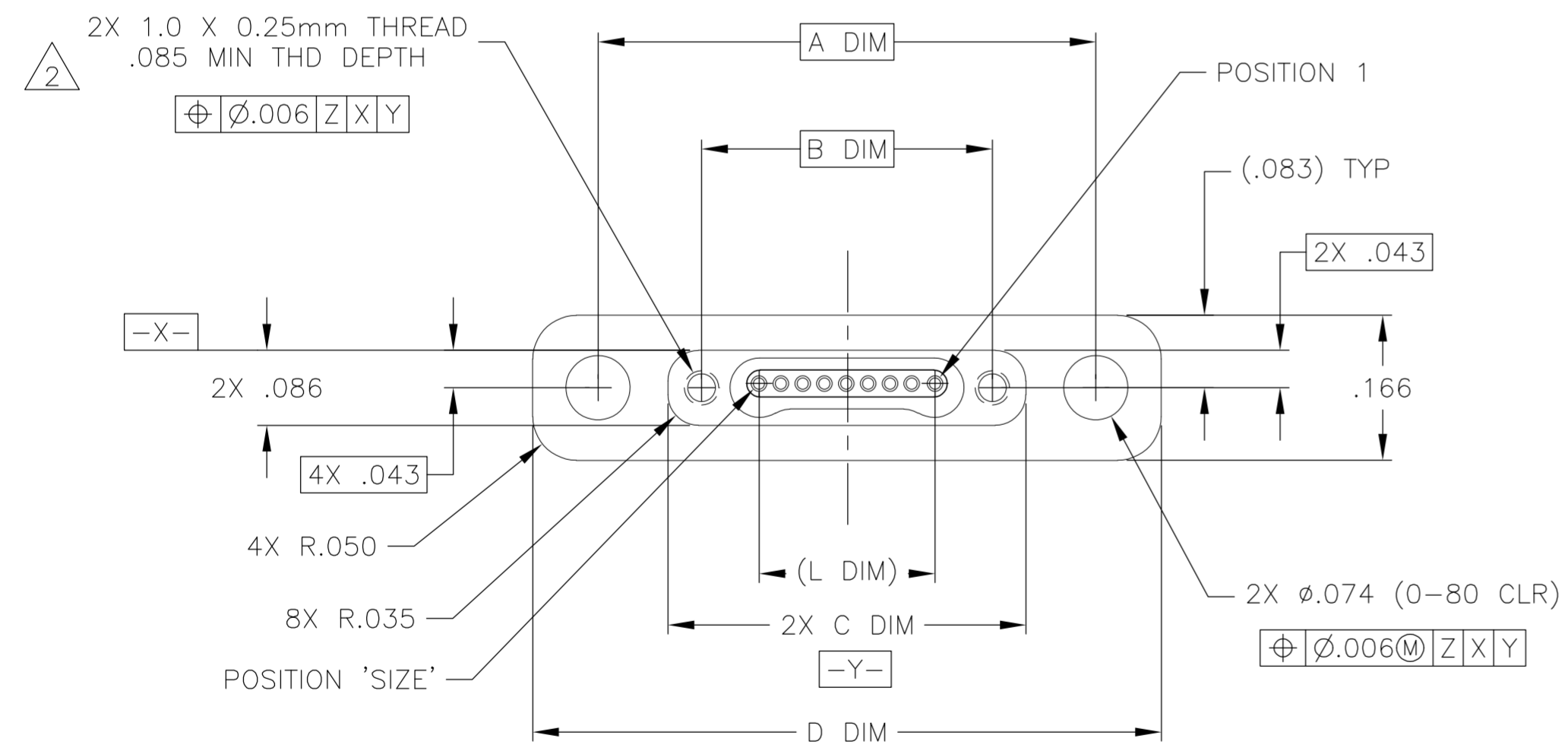
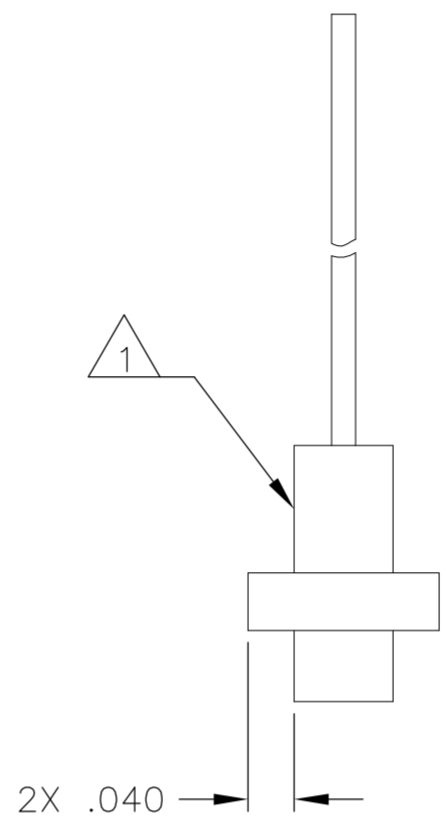
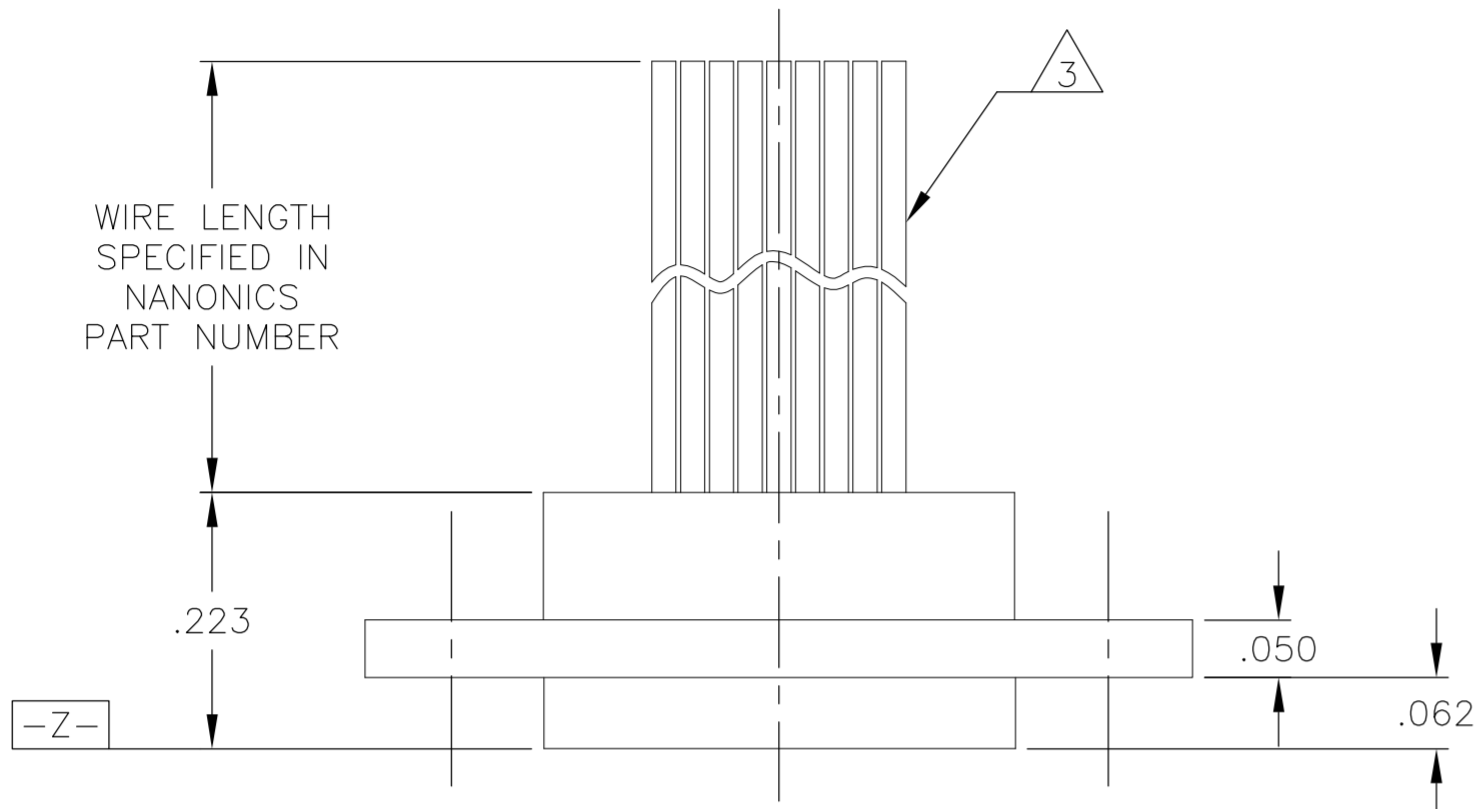


THIS DRAWING IS UNPUBLISHED. RELEASED FOR PUBLICATION
 © COPYRIGHT BY TYCO ELECTRONICS CORPORATION. ALL INTERNATIONAL RIGHTS RESERVED.

LOC	DIST	REVISIONS					
		P	LTR	DESCRIPTION	DATE	DWN	APVD
-	-	B		UPDATE PER ECO-08-031341	15 DEC 08	BJR	MKS

SIZE	A DIM	B DIM	C DIM	D DIM	E DIM ±.002	(L DIM)
05	.470	.233	.310	.620	.315	(.100)
09	.570	.333	.410	.720	.415	(.200)
15	.720	.483	.560	.870	.565	(.350)
25	.970	.733	.810	1.120	.815	(.600)
37	1.270	1.033	1.110	1.420	1.115	(.900)
51	1.620	1.383	1.460	1.770	1.465	(1.250)



- 1 SHELL OPTIONS (TO BE SPECIFIED IN NANONICS PART NUMBER):
 6061-T6 ALUMINUM, ELECTROLESS NICKEL PLATED PER SAE-AMS-C-26074 (STANDARD) OR GOLD PLATED PER ASTM B488;
 OR 303 STAINLESS STEEL, PASSIVATED PER SAE-AMS-2700
 INSULATOR MATERIAL IS LIQUID CRYSTAL POLYMER (LCP) PER MIL-M-24519 OR PER ASTM D5138
- 2 STANDARD 1.0 X 0.25mm JACKSCREW THREADS ARE SHOWN FOR REFERENCE ONLY AND MUST BE SPECIFIED IN THE NANONICS PART NUMBER WHEN REQUIRED. 1.2 X 0.25mm THREADS ALSO AVAILABLE.
- 3 THIS CONFIGURATION MAY BE TERMINATED WITH 28 AWG SOLID, 30 AWG STRANDED OR SMALLER WIRE, OR RIBBON CABLE. CONDUCTOR TYPE AND LENGTH MUST BE SPECIFIED IN NANONICS PART NUMBER.
- 4 THIS DRAWING PREVIOUSLY IDENTIFIED AS NANONICS 303-0010-XX

THIS DRAWING IS A CONTROLLED DOCUMENT.		DWN C. SCHOLL 14 APR 04	Tyco Electronics Corporation Harrisburg, PA 17105-3608
DIMENSIONS: INCHES		CHK M. STORRY 14 APR 04	
TOLERANCES UNLESS OTHERWISE SPECIFIED:		APVD -	NAME
0 PLC ± - 1 PLC ± - 2 PLC ± .010 3 PLC ± .005 4 PLC ± - ANGLES ± 1		PRODUCT SPEC -	RECEPTACLE ASSEMBLY, PANEL MOUNT, SINGLE ROW DUALLOBE, FLYING LEAD, METAL SHELL
MATERIAL SEE NOTES		FINISH SEE NOTES	SIZE A2
		WEIGHT -	CAGE CODE 0PJN9
		CUSTOMER DRAWING	DRAWING NO C=1589851
		SCALE 6:1	RESTRICTED TO -
		SHEET 1 of 1	REV B