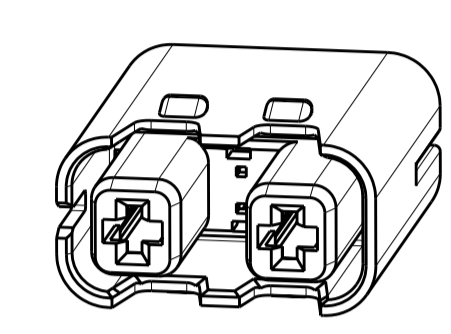
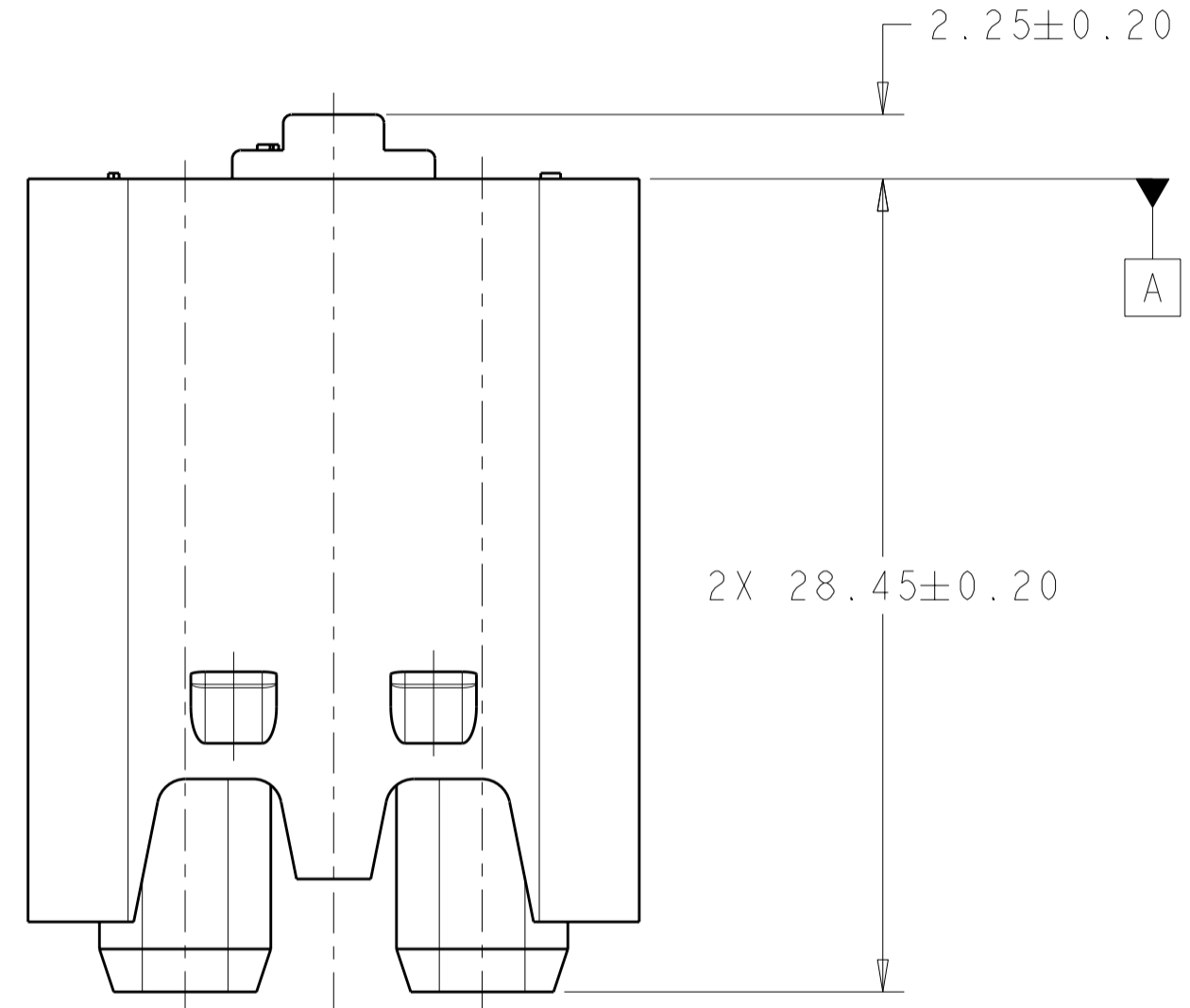
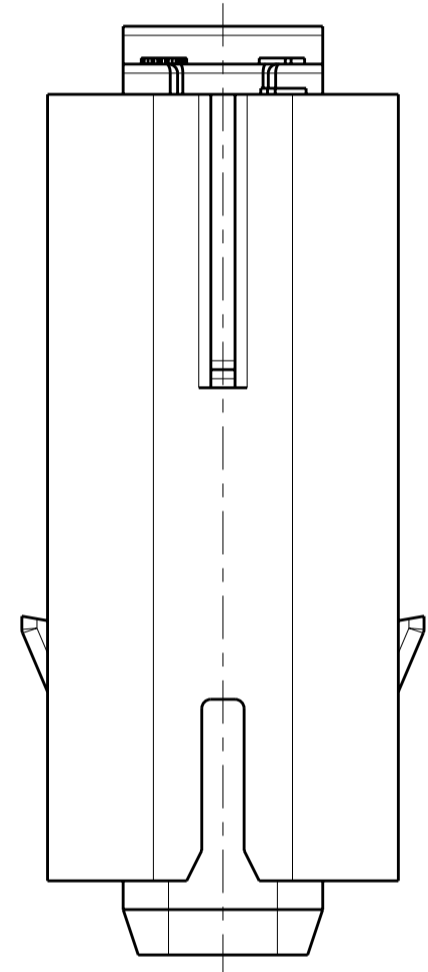
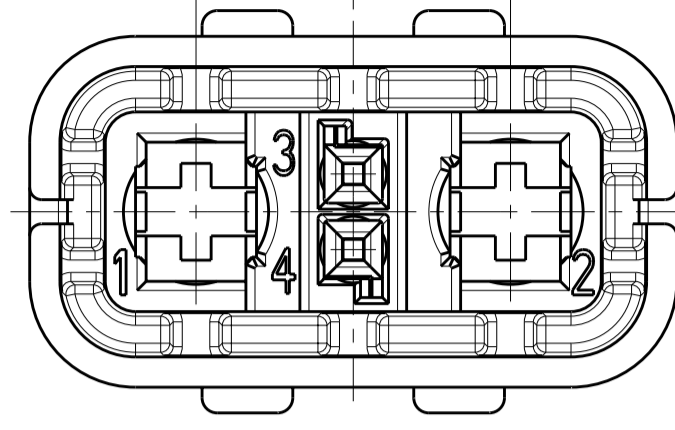


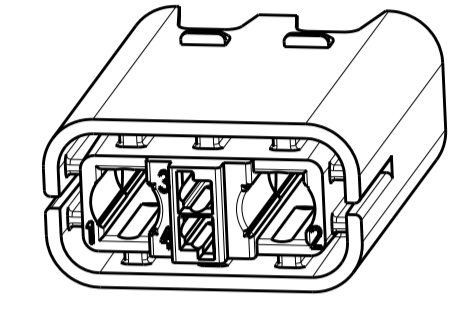
THIS DRAWING IS UNPUBLISHED. RELEASED FOR PUBLICATION 20  
 © COPYRIGHT 20 BY TYCO ELECTRONICS CORPORATION ALL RIGHTS RESERVED.

LOC	DIST	REVISIONS			
P	LTR	DESCRIPTION	DATE	DWN	APVD
	A	ECO-11-024207	02DEC2011	DR	DR

(5.20) (5.20)

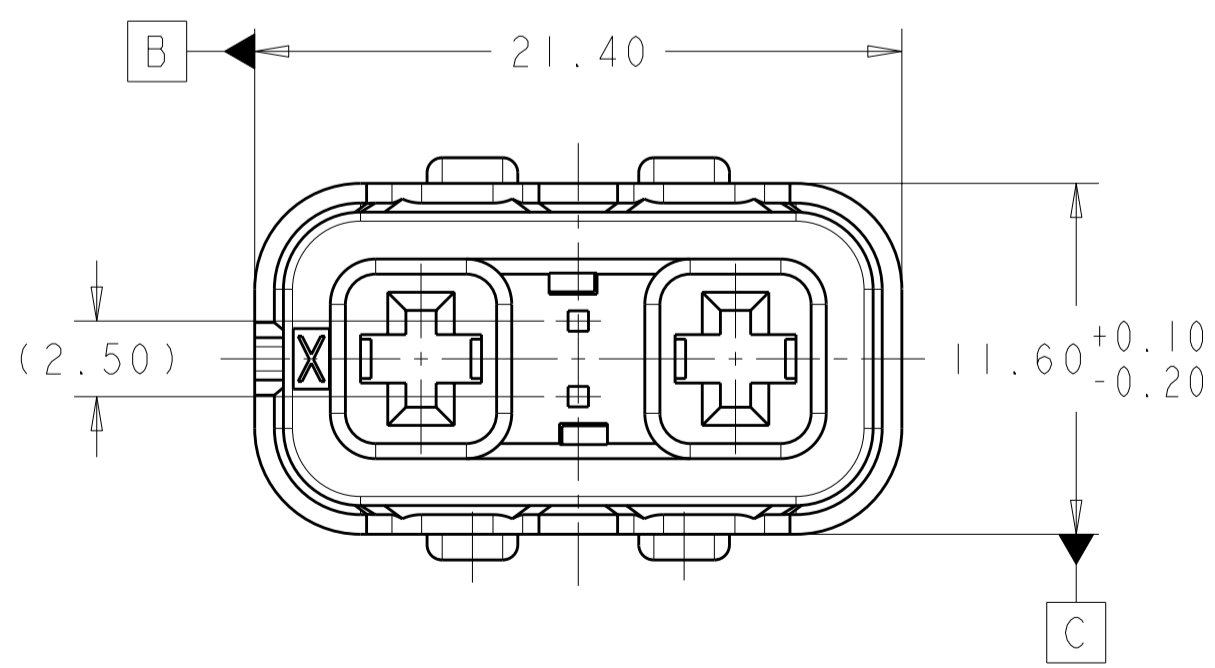


SCALE 2:1



SCALE 2:1

△ MATERIAL:  
 TYPE: PA66 33%GF  
 COLOR: BLACK



INNER HOUSING, PASS THRU HVIL	1587977-2
DESCRIPTION	PART NO

THIS DRAWING IS A CONTROLLED DOCUMENT.		DWN	30MAR2011	TE Connectivity	
DIMENSIONS:		CHK	30MAR2011		
mm		APVD	30MAR2011		
TOLERANCES UNLESS OTHERWISE SPECIFIED:		PRODUCT SPEC		NAME	
0 PLC	±	APPLICATION SPEC		INNER HOUSING, PLUG	
1 PLC	±0.2	WEIGHT		HVA280-2PHM	
2 PLC	±0.10	4.18g		SIZE	CAGE CODE
3 PLC	±0.050	CUSTOMER DRAWING		A200779	C-1587977
4 PLC	±	SCALE 4:1		SHEET	OF
ANGLES	±1°	SHEET		OF	REV
FINISH		SHEET		OF	REV