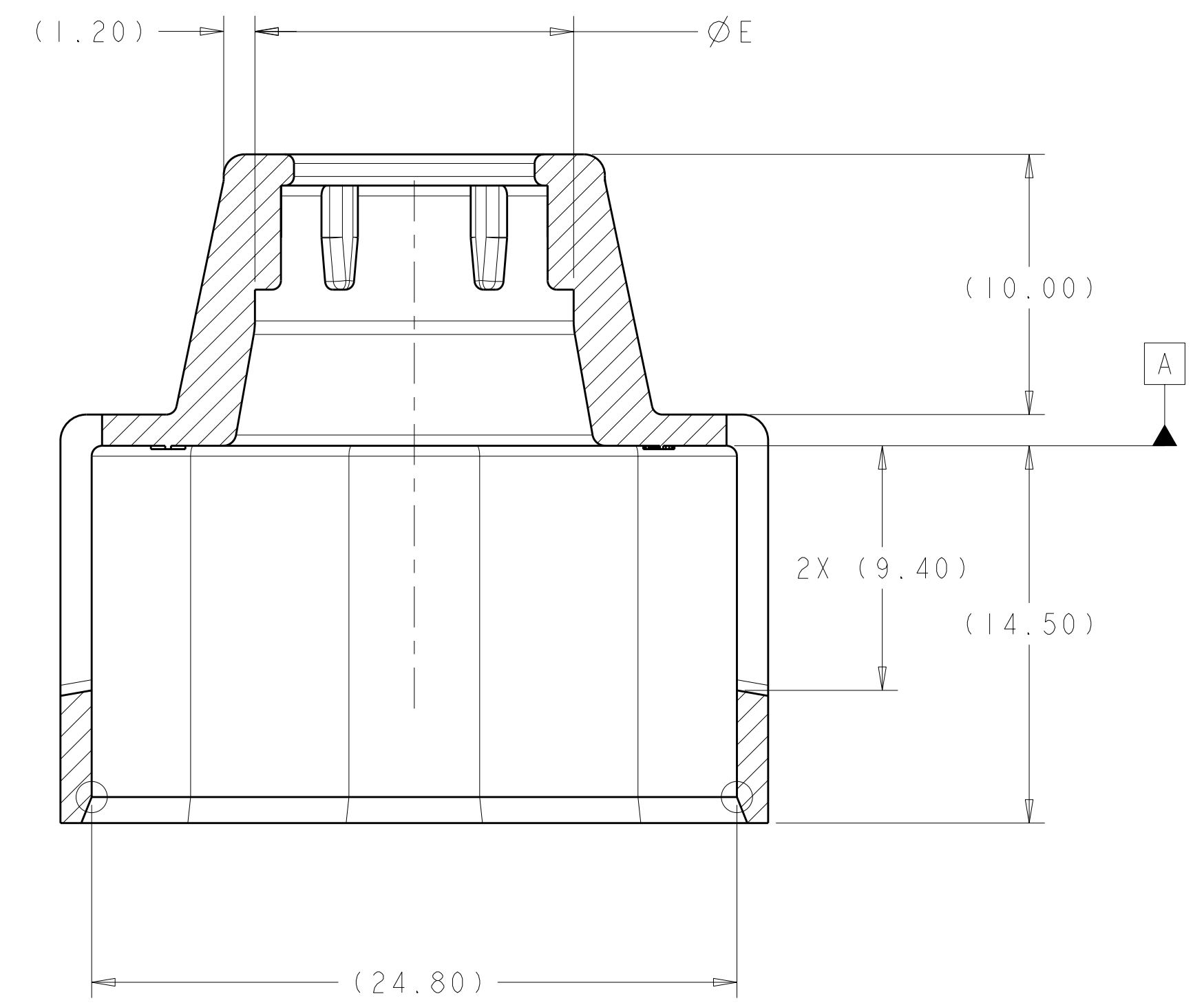
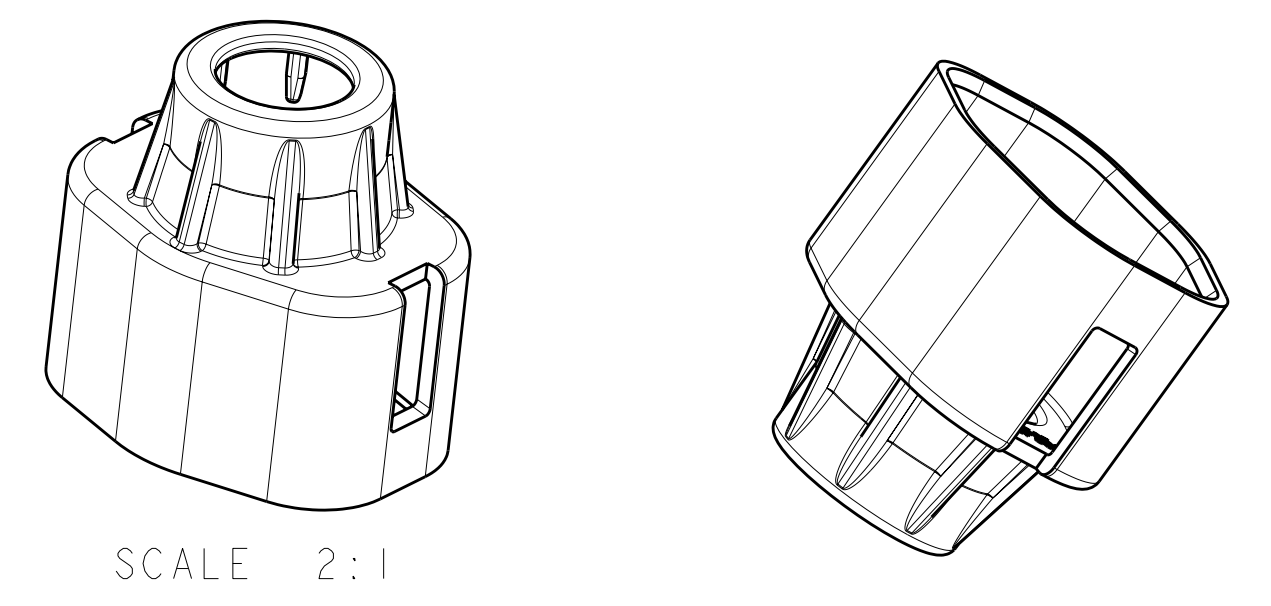
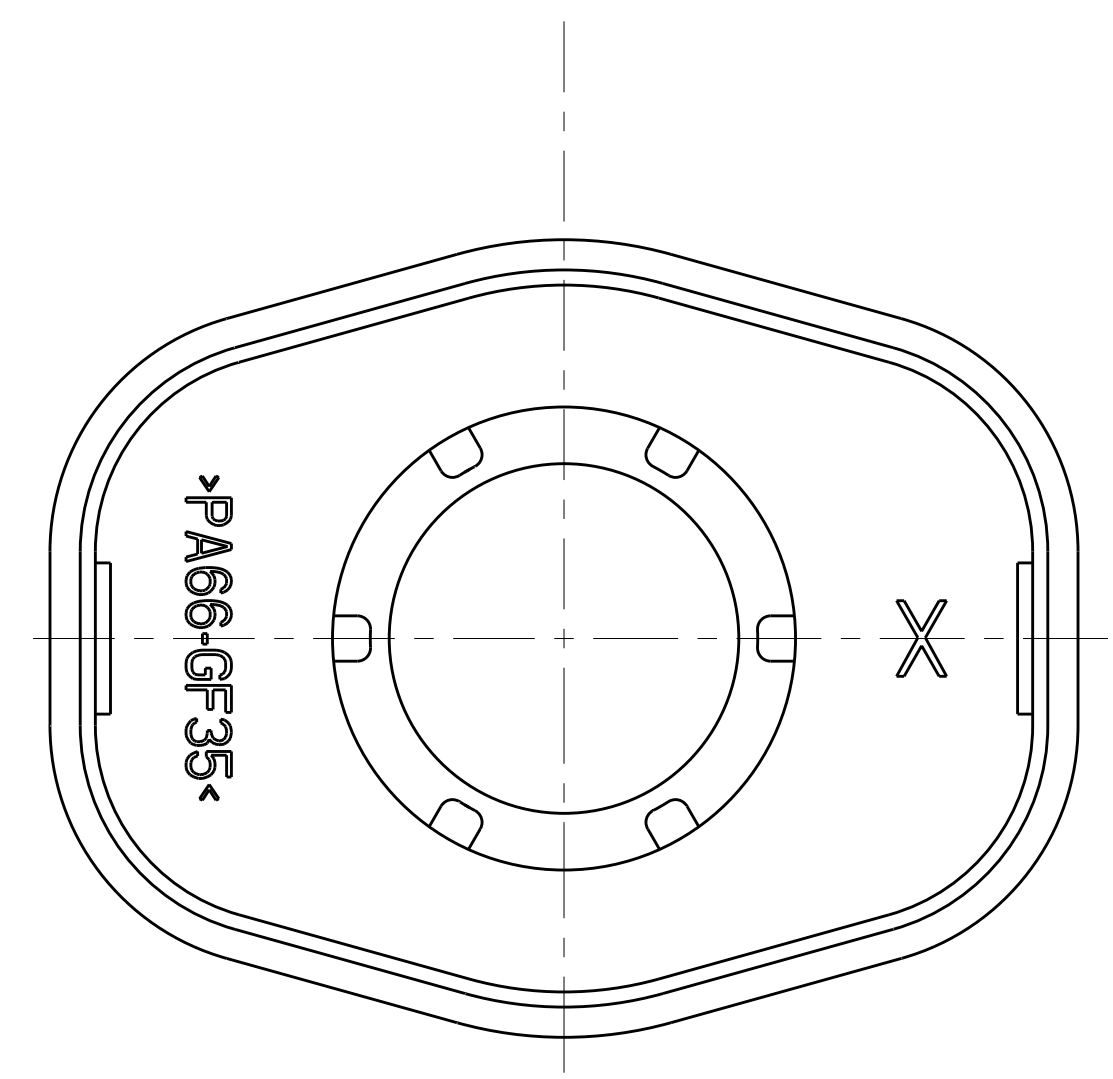
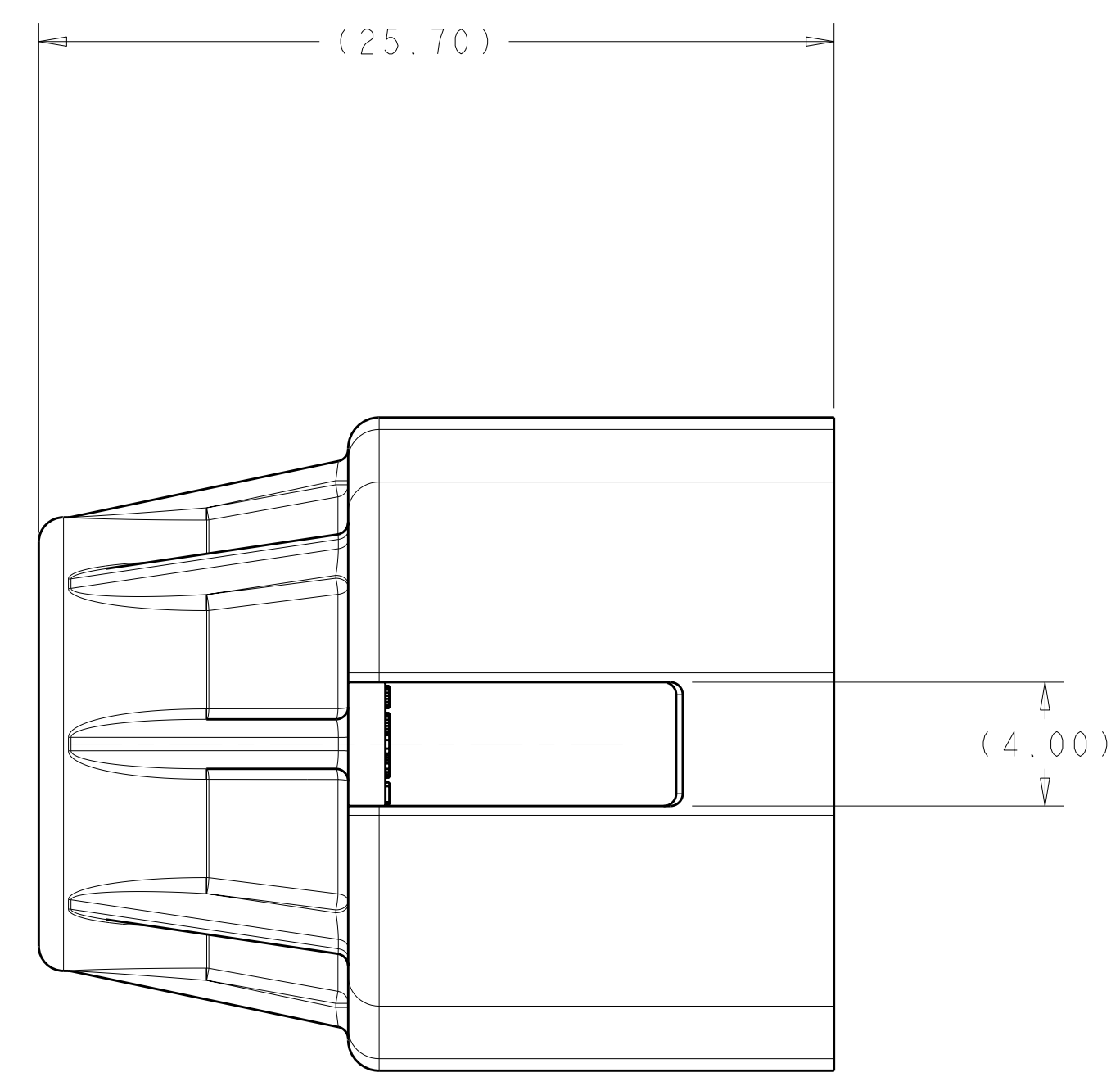
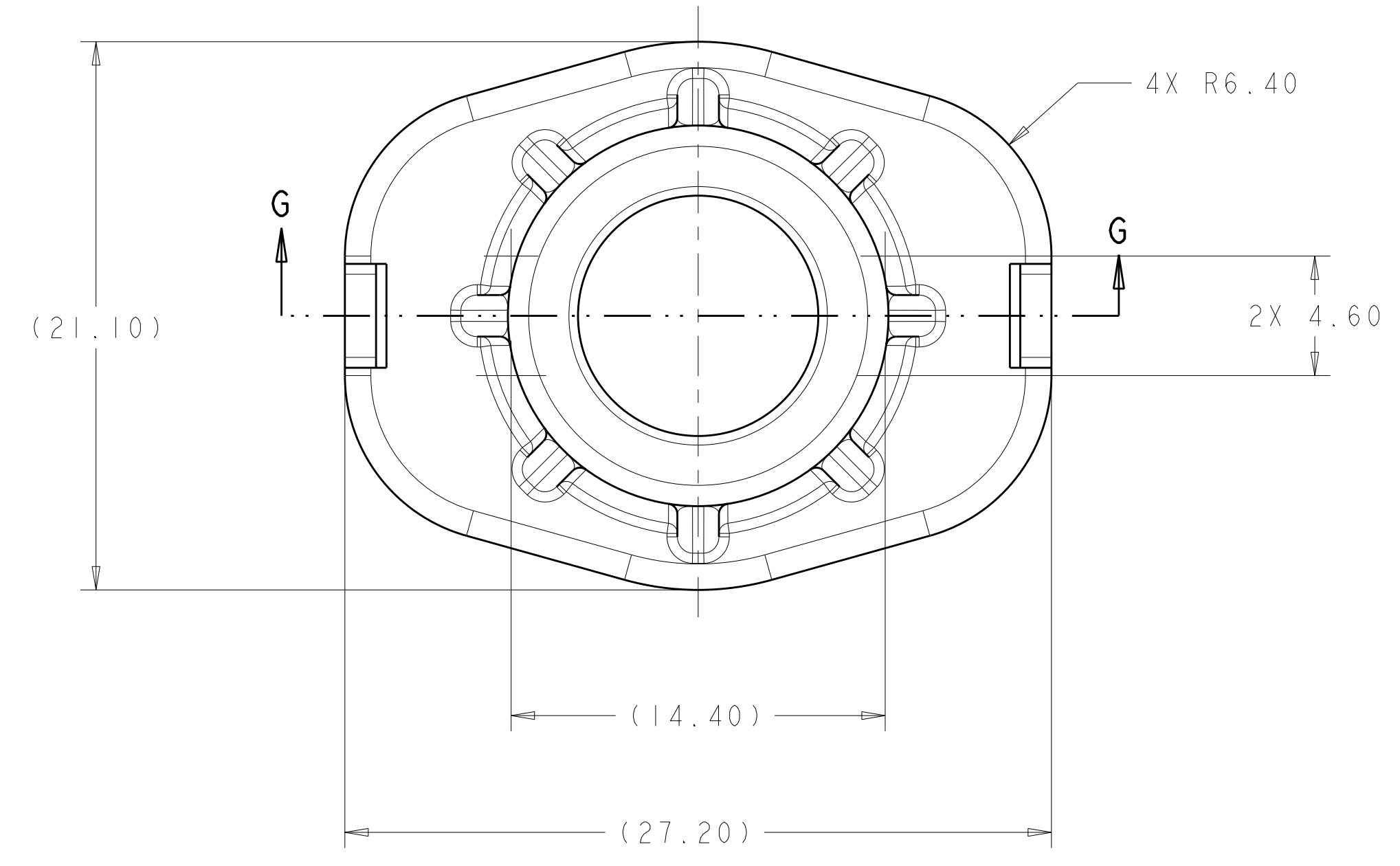


LOC	DIST	REVISIONS			
P	LT#	DESCRIPTION	DATE	DWN	APVD
A		ECO-09-020745	23SEP2009	DS	AT



SECTION G-G

- 1 MATERIAL:
TYPE: PA66 35%GF
COLOR: SEE TABLE
- 2 SEALING SURFACE, NO WITNESS LINE,
DAMAGE, OR FLASH PERMITTED
- 3. FEATURES DENOTED BY REFERENCE DIMENSIONS
MUST BE INSPECTED FOR PRESENCE
- 4 PRELIMINARY PART—NOT RELEASED FOR PRODUCTION

1587722-1 SHOWN

E	COLOR	CABLE DIA	PART NO
13.40	ORANGE	9.90 - 10.50	1587722-2
12.25	BLACK	8.10 - 9.30	1587722-1

<small>THIS DRAWING IS UNPUBLISHED. RELEASED FOR PUBLICATION. ALL RIGHTS RESERVED. THIS DRAWING IS UNPUBLISHED. RELEASED FOR PUBLICATION. ALL RIGHTS RESERVED. THIS DRAWING IS UNPUBLISHED. RELEASED FOR PUBLICATION. ALL RIGHTS RESERVED.</small>		DWN D. SIMPSON 12JAN2009 CHK A. TYLER 12JAN2009 APVD -	Tyco Electronics Tyco Electronics Harrisburg, PA 17105-3608
DIMENSIONS: mm 	TOLERANCES UNLESS OTHERWISE SPECIFIED: 9 PLC ±.15 5 PLC ±0.10 4 PLC ±.05 ANGLES ±°	PRODUCT SPEC - APPLICATION SPEC - WEIGHT - CUSTOMER DRAWING	NAME CABLE SEAL RETAINER HVA280-3PM CHART SIZE CAGE CODE DRAWING NO A 100779 C=1587722 RESTRICTED TO - SCALE 1:1 SHEET 1 OF 1 REV A