

THIS DRAWING IS UNPUBLISHED. RELEASED FOR PUBLICATION 20
 © COPYRIGHT 20 BY TYCO ELECTRONICS CORPORATION. ALL RIGHTS RESERVED.

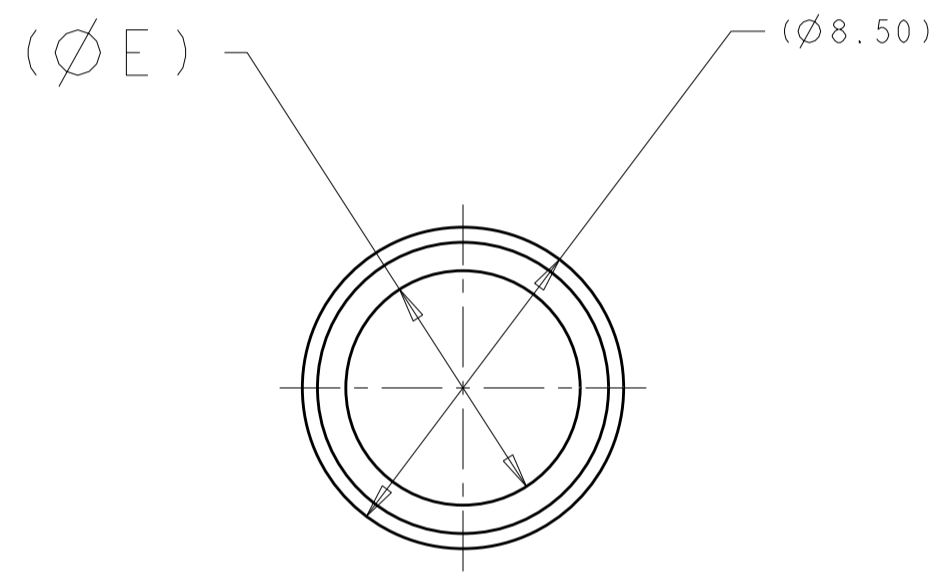
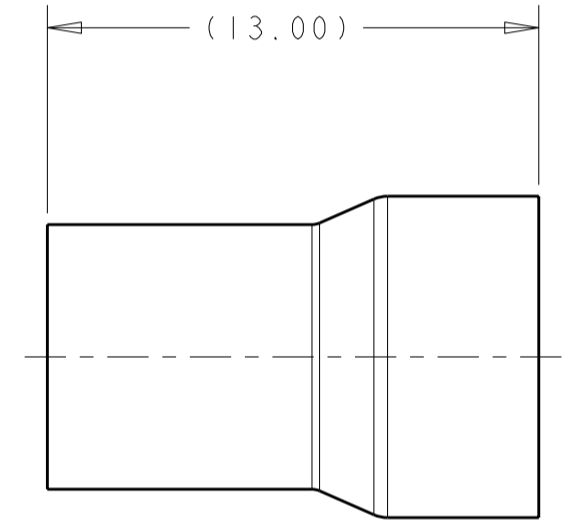
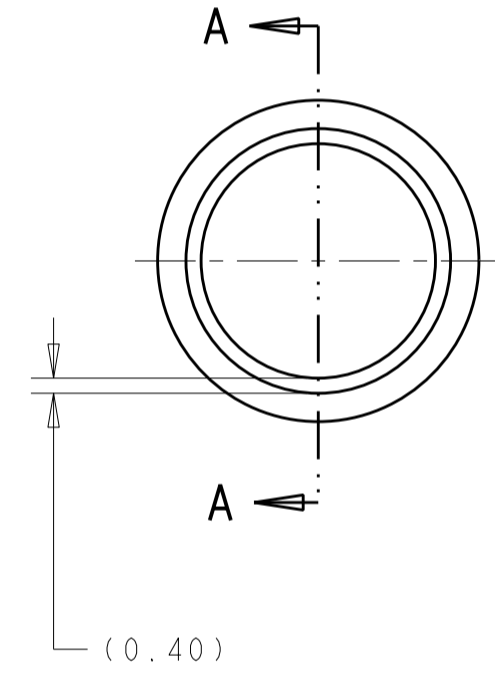
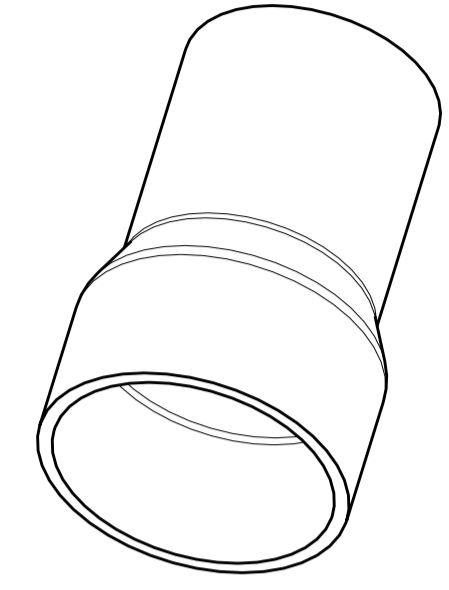
LOC	DIST	REVISIONS			
P	LTR	DESCRIPTION	DATE	DWN	APVD
	A	ECO-08-001077 RELEASE	14JAN2008	DS	AT

STANDARD DRAW RADIUS

CHAMFER BREAK SHARP EDGE

PINCH TRIM RADIUS

SECTION A-A



- MATERIAL
TYPE: C19400
 - FINISH
UNDERPLATE TYPE: NICKEL
UNDERPLATE THICKNESS: 0.0005-0.0013
TOP PLATE TYPE: TIN
TOP PLATE THICKNESS: 0.0013-0.0025
 - PARTS MUST BE FREE OF EXCESSIVE BURRS, CRACKS, OR OTHER VISUAL IMPERFECTIONS THAT MAY AFFECT FIT FORM OR FUNCTION
- ⚠ PRELIMINARY PART—NOT RELEASED FOR PRODUCTION

⚠	7.40	TBD	OUTER FERRULE SIZE D	1587584-4
⚠	7.00	TBD	OUTER FERRULE SIZE C	1587584-3
⚠	6.60	TBD	OUTER FERRULE SIZE B	1587584-2
	6.20	0.988	OUTER FERRULE SIZE A	1587584-1
	Ø E	WT (gms)	DESCRIPTION	PART NO

<small>THIS DRAWING IS A CONTROLLED DOCUMENT FOR TYCO ELECTRONICS CORPORATION. IT IS SUBJECT TO CHANGE AND THE CONTROLLING ENGINEERING ORGANIZATION SHOULD BE CONTACTED FOR THE LATEST REVISION.</small>		DWN D. SIMPSON 06SEP2007 CHK A TYLER 06SEP2007 APVD -	Tyco Electronics Harrisburg, PA 17105-3608		
DIMENSIONS: mm 	TOLERANCES UNLESS OTHERWISE SPECIFIED: 0 PLC ±- 1 PLC ±0.5 2 PLC ±0.13 3 PLC ±0.013 4 PLC ±0.0001 ANGLES ±- FINISH	PRODUCT SPEC - APPLICATION SPEC - WEIGHT TABLE CUSTOMER DRAWING	NAME OUTER FERRULE HVA CABLE SHIELD SIZE CAGE CODE DRAWING NO RESTRICTED TO A200779 C-1587584 -		
MATERIAL	NOTED		SCALE 5:1	SHEET 1 OF 1	REV A