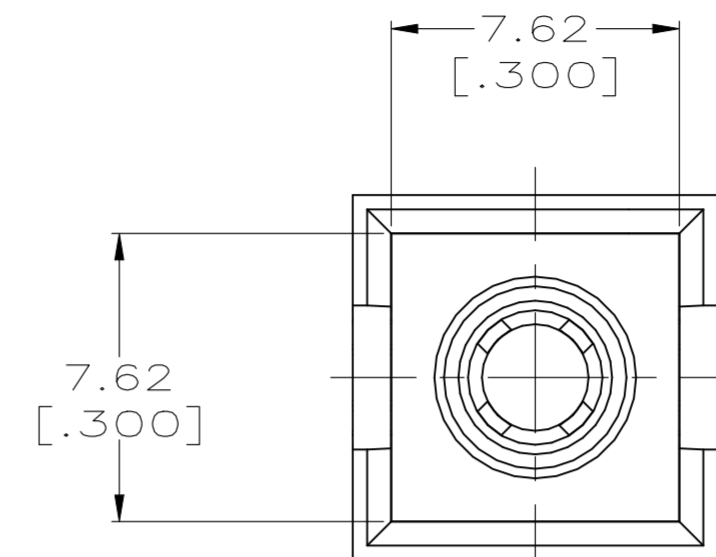
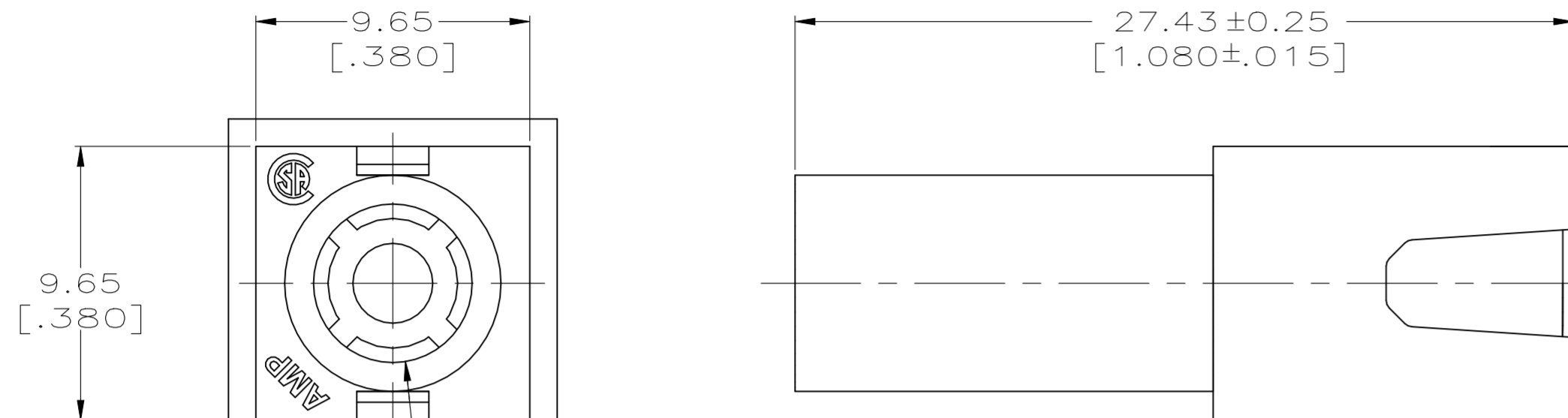


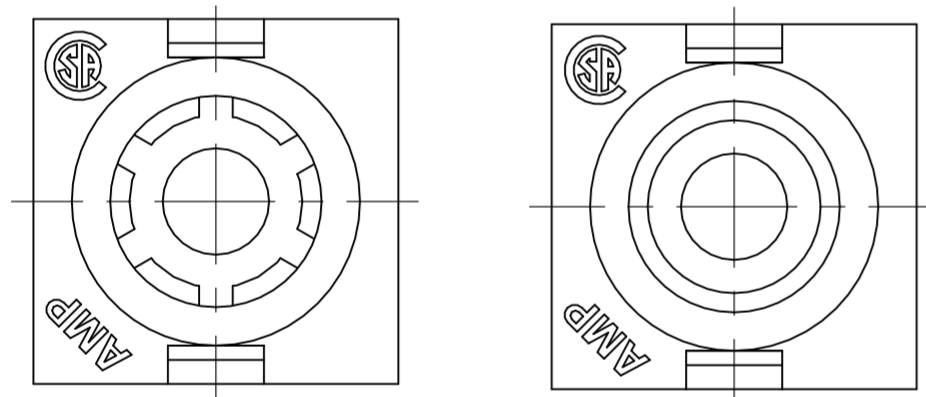
THIS DRAWING IS UNPUBLISHED. RELEASED FOR PUBLICATION  
 © COPYRIGHT - TE Connectivity ALL RIGHTS RESERVED.

REVISIONS					
P	LTR	DESCRIPTION	DATE	DWN	APVD
B2		REVISED PER ECR-21-100050	27JAN2021	PC	JS

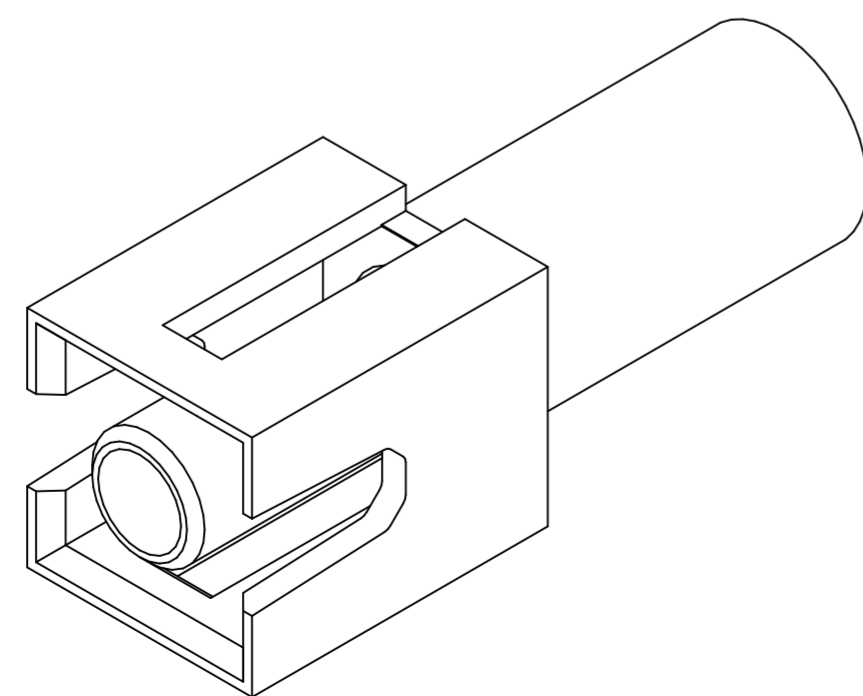


SEE DETAIL A

- MATES WITH APPROPRIATE UNIVERSAL MATE-N-LOK HOUSING.
- DIMENSIONS IN BRACKETS ARE IN INCHES.
- DIMENSIONS SHOWN REPRESENT PRODUCT IN DRY, AS MOLDED, CONDITION. ADDITIONAL 2% GROWTH DUE TO SUBSEQUENT MOISTURE ABSORPTION MAY OCCUR AND SHOULD BE ACCOUNTED FOR.
- FOUR RIBS EQUALLY SPACED, NO SPECIFIC ORIENTATION. NO RIBS OR SIX RIBS EQUALLY SPACED, NO SPECIFIC ORIENTATION, OPTIONAL.
- FLAMMABILITY V2 FOR THICKNESS 0.38mm, 1.5mm, and 3.0mm PER IEC 60695-11-10.
- GLOW-WIRE FLAMMABILITY (GWFI) 800°C FOR THICKNESS 0.38mm AND 0.75mm PER IEC 60695-2-12.
- GLOW-WIRE FLAMMABILITY (GWFI) 960°C FOR THICKNESS 1.5mm AND 3.0mm PER IEC 60695-2-12.
- GLOW-WIRE IGNITION (GWIT) 825°C FOR THICKNESS 0.38mm, 0.75mm, 1.5mm AND 3.0mm PER IEC 60695-2-13.



DETAIL A  
OPTIONAL CONSTRUCTIONS



3-DIMENSIONAL MODEL  
NTS

NATURAL	1586843-1
COLOR	PART NO

THIS DRAWING IS A CONTROLLED DOCUMENT.		DWN K. WHITAKER 18JUL2007	<b>TE</b> TE Connectivity	
DIMENSIONS: mm [INCHES]		CHK D. COLEY 18JUL2007		
TOLERANCES UNLESS OTHERWISE SPECIFIED:		APVD D. COLEY 18JUL2007	NAME CAP, SINGLE CIRCUIT, UNIVERSAL MATE-N-LOK(TM)	
0 PLC ± -	1 PLC ± -	PRODUCT SPEC	SIZE A2	CAGE CODE 00779
2 PLC ± 0.13 [.005]	3 PLC ± -	APPLICATION SPEC	DRAWING NO C=1586843	RESTRICTED TO -
4 PLC ± -	ANGLES ± -	FINISH	WEIGHT	SCALE 5:1
MATERIAL NYLON, UL 94V-2			CUSTOMER DRAWING	SHEET 1 of 1
				REV B2