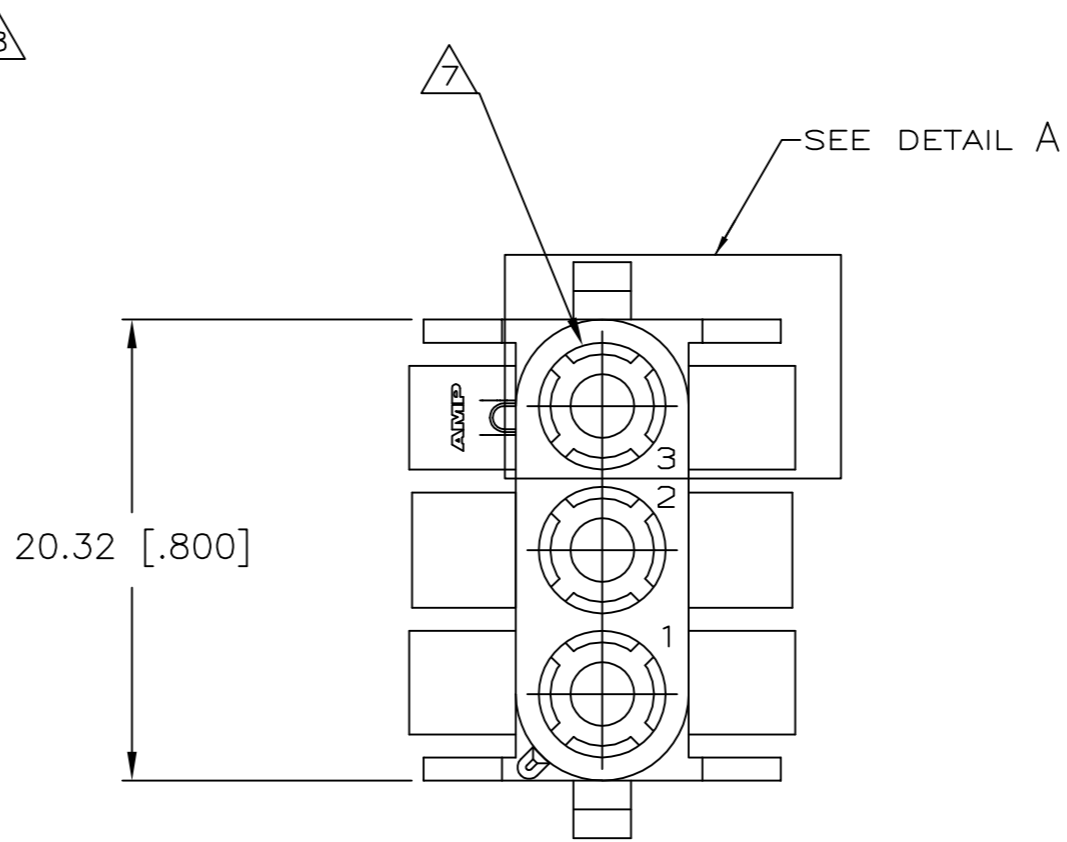
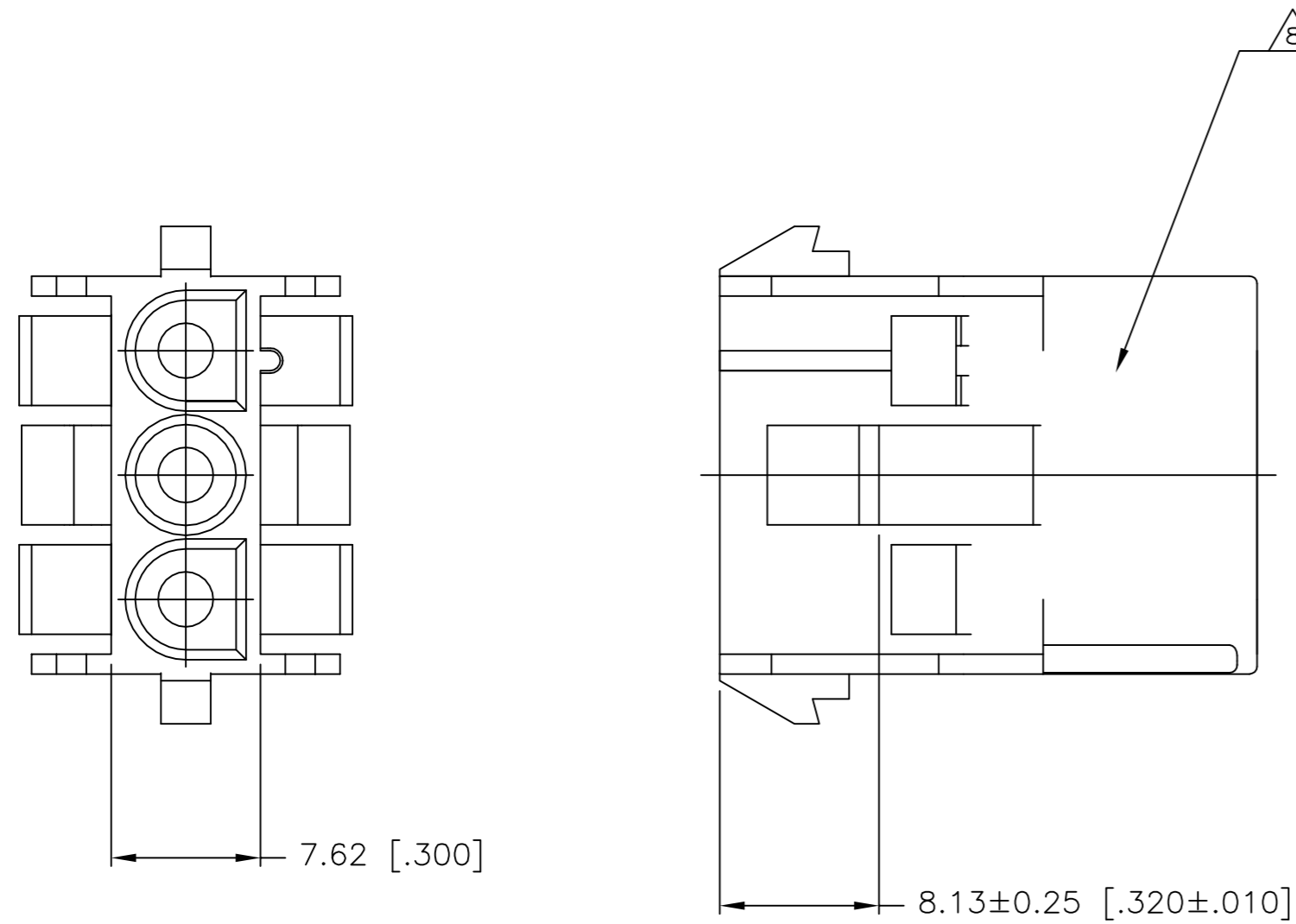
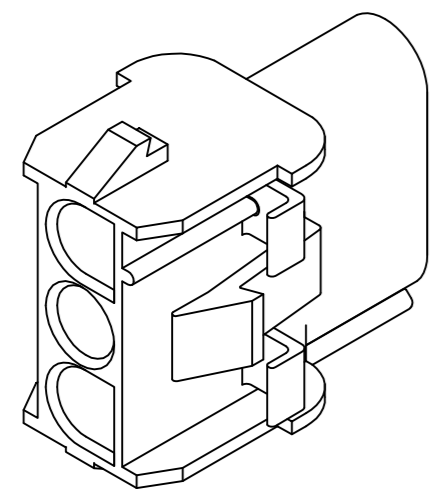


THIS DRAWING IS UNPUBLISHED. RELEASED FOR PUBLICATION  
 © COPYRIGHT - TE Connectivity ALL RIGHTS RESERVED.

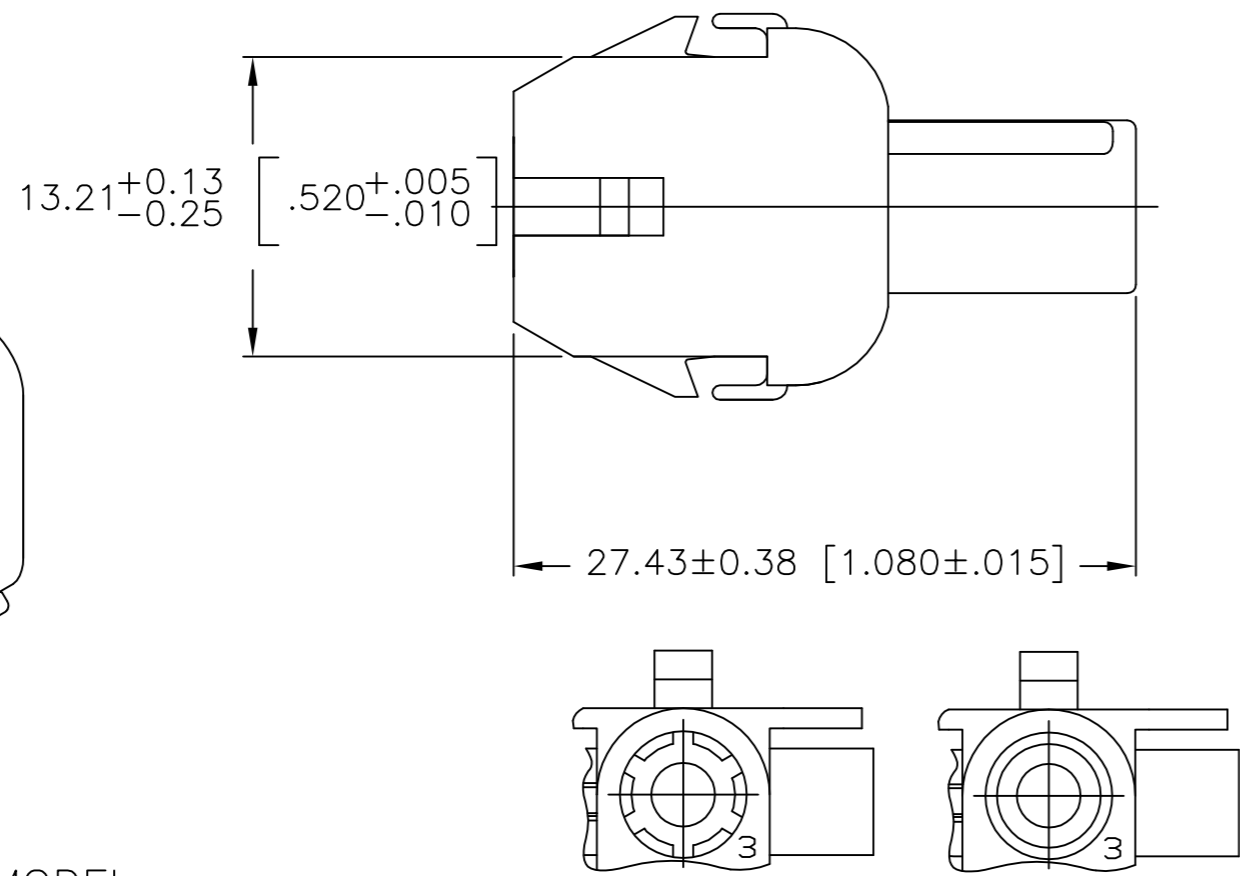
REVISIONS					
P	LTR	DESCRIPTION	DATE	DWN	APVD
A		REVISED PER ECR-17-015449	26OCT2017	BDA	KR



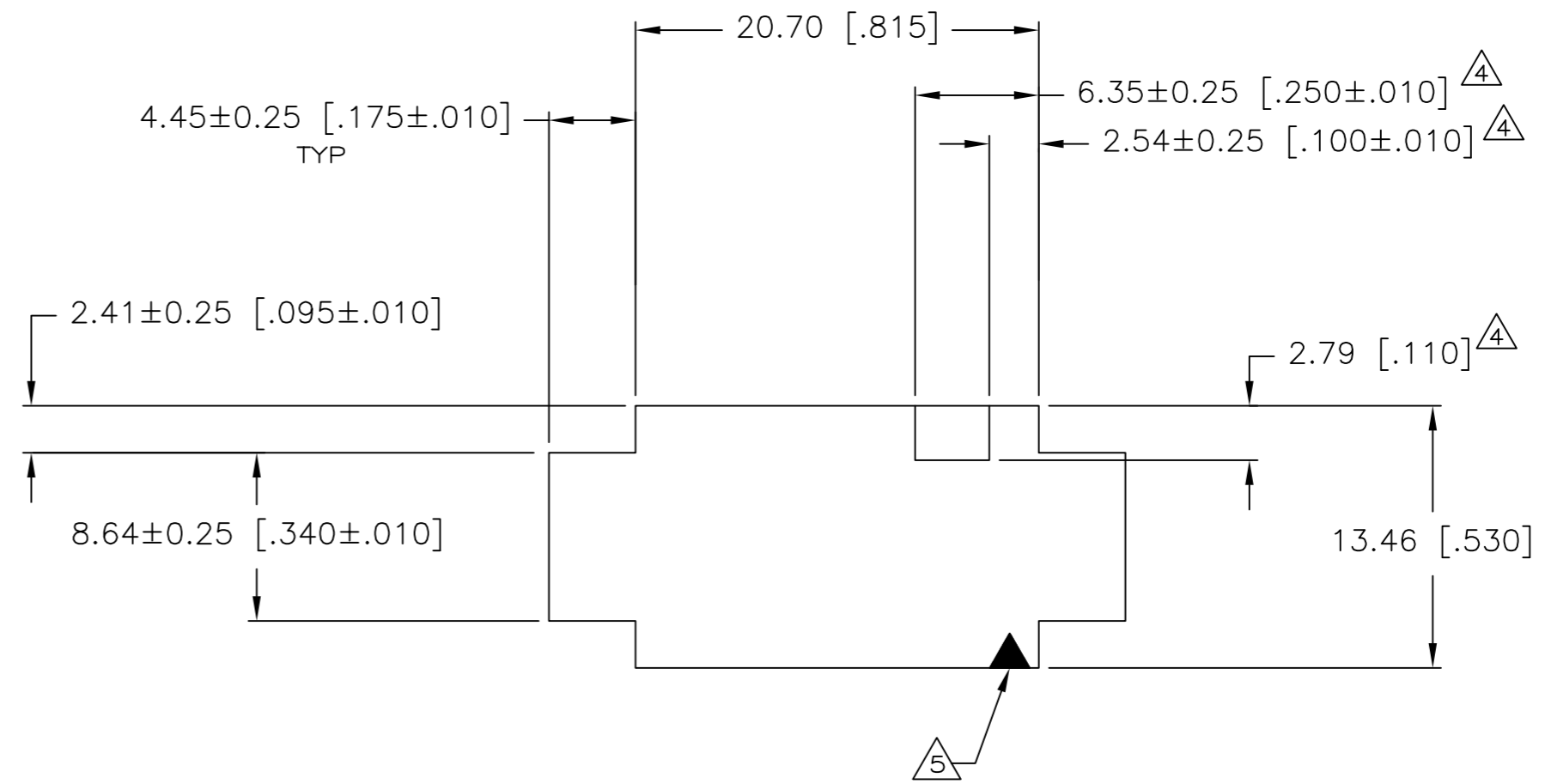
- MATES WITH APPROPRIATE UNIVERSAL MATE-N-LOK™ PLUG.
- RECOMMENDED PANEL THICKNESS 0.76 [.030]-2.29 [.090].
- PANEL MUST BE PUNCHED SO THAT THE HOUSING ENTERS THE PANEL IN THE SAME DIRECTION AS THE PUNCH.
- OPTIONAL FOR KEYING HOUSING IN PANEL.
- CIRCUIT NUMBER 1 LOCATION.
- DIMENSIONS SHOWN REPRESENT PRODUCT IN DRY, AS MOLDED, CONDITION. ADDITIONAL 2% GROWTH DUE TO SUBSEQUENT MOISTURE ABSORPTION MAY OCCUR AND SHOULD BE ACCOUNTED FOR.
- FOUR RIBS EQUALLY SPACED, NO SPECIFIC ORIENTATION. NO RIBS OR SIX RIBS EQUALLY SPACED, NO SPECIFIC ORIENTATION, OPTIONAL.
- UNDERWRITERS RECOGNIZED COMPONENT LOGO AND CSA CERTIFICATION LOGO TO BE LOCATED ONCE EACH ON SIDE OF HOUSING.



3-DIMENSIONAL MODEL NTS



DETAIL A  
OPTIONAL CONSTRUCTIONS



RECOMMENDED PANEL CUT OUT

BLACK	1586378-1
COLOR	PART NUMBER

THIS DRAWING IS A CONTROLLED DOCUMENT.		DWN S. HOOVER 05-MAR-2004																
DIMENSIONS: mm [INCHES]		CHK S. RIDGILL 05-MAR-2004																
TOLERANCES UNLESS OTHERWISE SPECIFIED:		APVD S. RIDGILL 05-MAR-2004	NAME CAP, 3 CIRCUIT, UV RESISTANT UNIVERSAL MATE-N-LOK™															
<table border="0"> <tr> <td>0 PLC</td> <td>±</td> </tr> <tr> <td>1 PLC</td> <td>±</td> </tr> <tr> <td>2 PLC</td> <td>± 0.13 [.005]</td> </tr> <tr> <td>3 PLC</td> <td>±</td> </tr> <tr> <td>4 PLC</td> <td>±</td> </tr> <tr> <td>ANGLES</td> <td>±</td> </tr> <tr> <td>FINISH</td> <td></td> </tr> </table>		0 PLC	±	1 PLC	±	2 PLC	± 0.13 [.005]	3 PLC	±	4 PLC	±	ANGLES	±	FINISH		PRODUCT SPEC	RESTRICTED TO	
0 PLC	±																	
1 PLC	±																	
2 PLC	± 0.13 [.005]																	
3 PLC	±																	
4 PLC	±																	
ANGLES	±																	
FINISH																		
MATERIAL NYLON, UL 94V-2		APPLICATION SPEC	SIZE A2	CAGE CODE 00779														
		WEIGHT	DRAWING NO C=1586378															
		CUSTOMER DRAWING	SCALE 4:1	SHEET 1 of 1														
			REV A															